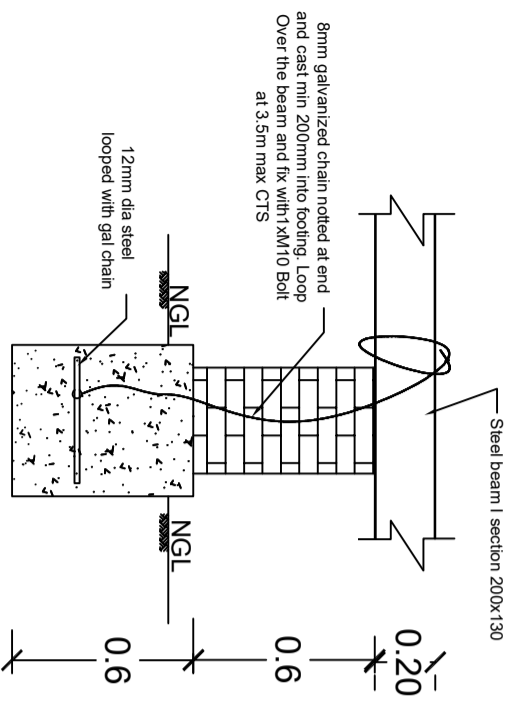


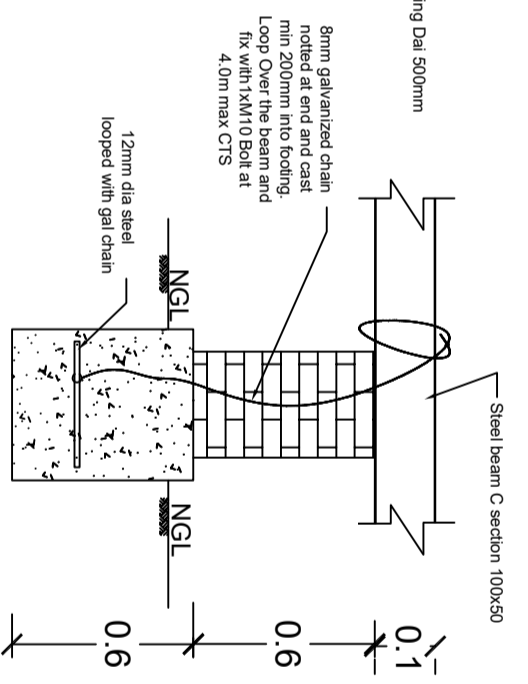
Footings/Steel beam Layout Plan

Scale 1:75 for A3



Footings/Steel beam Layout Plan

Scale 1:25 for A3



Typical Section of Footing F2

Scale 1:25 for A3

Title Block	
Date	17/11/2023
Title	Structural detail of footing
Rev	A
Drawn By	RT
checked by	Umesh Pahari (RPEng)
Scale	