

CONTRACTOR MUST VERIFY ALL DIMENSIONS ON SITE PRIOR TO STARTING ANY WORK OR MAKING ANY SHOP DRAWINGS. FIGURED DIMENSIONS ARE TO BE TAKEN IN PREFERENCES TO SCALE READINGS. THE DRAWING IS COPYRIGHT AND PROPERTY OF INSIGHT PROJECTS PTY LTD

Issue	Amendment	Date



A	FOR DEVELOPMENT APPROVAL	12.07.23
---	--------------------------	----------

Issue	Issued for	Date

scale	date	drawn	approved
1:100@A3	12.07.23	MM	

project no.	drawing no.	issue	amend
-	CP01	A	

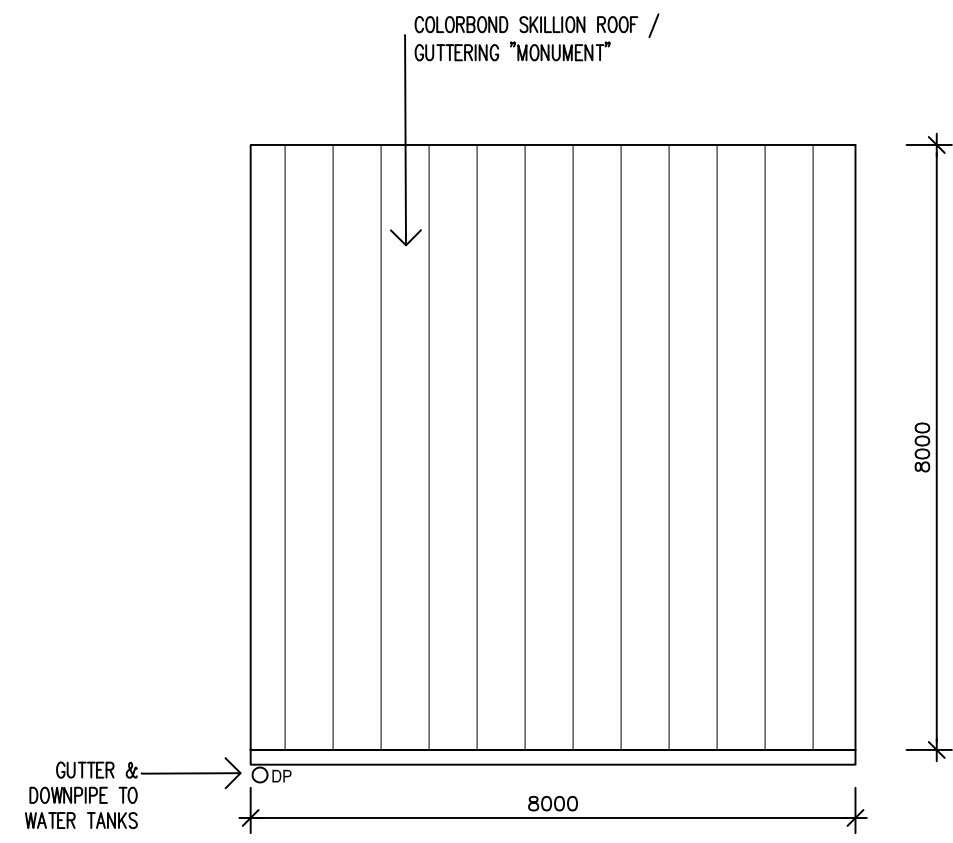
drawing
PROPOSED CARPORT

project
**WYLOONA
108 SADDLEBACK TRAIL
EURUNDEREE NSW 2850**

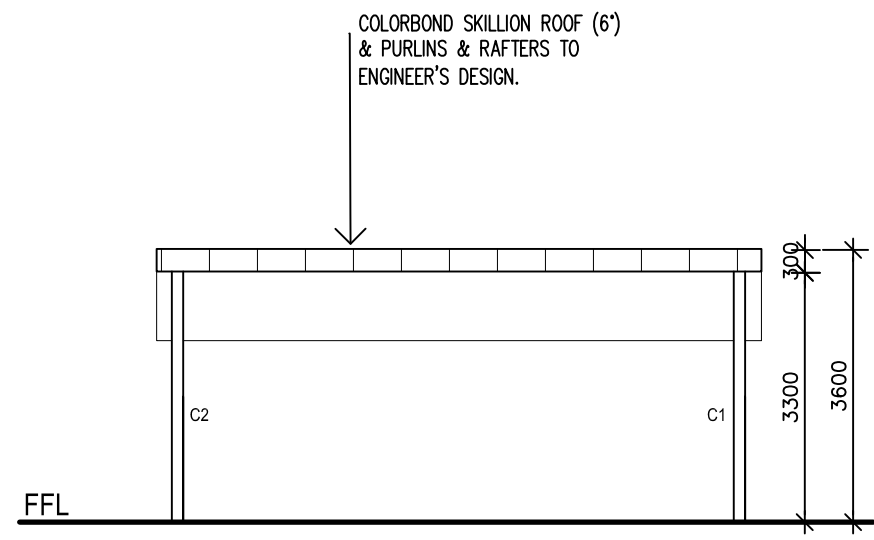
client
S.PEPPITT & R.GRAHAME



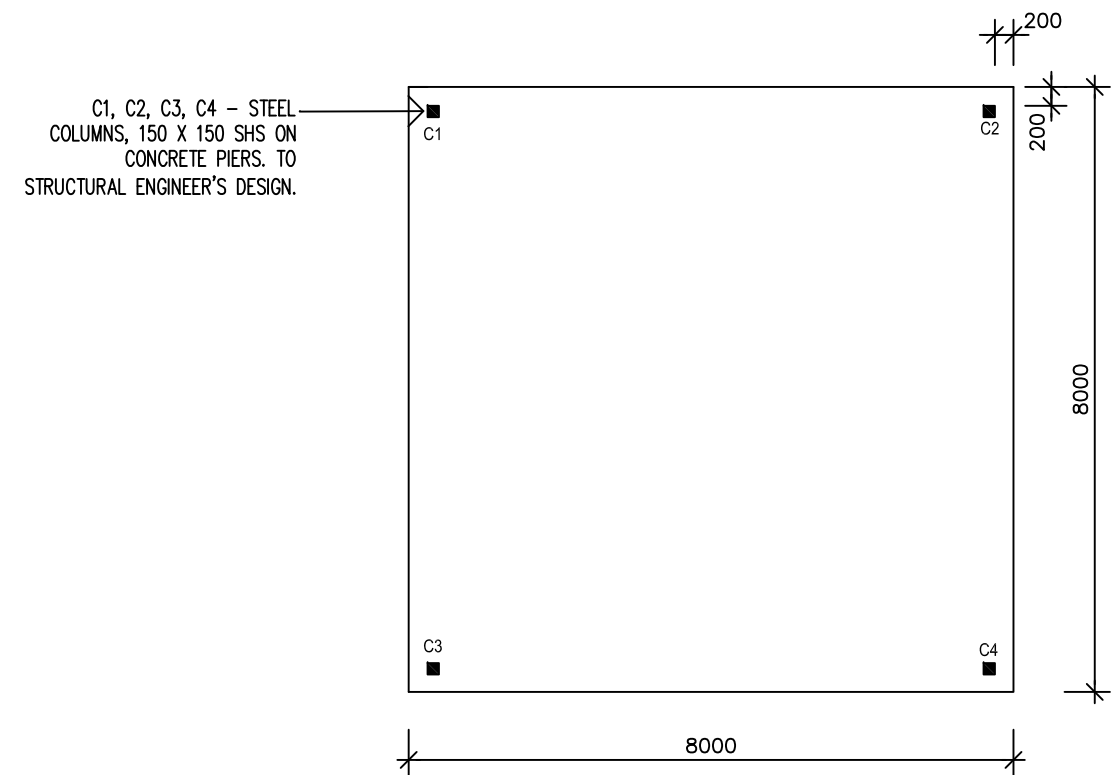
Insight Projects Pty Ltd
Level 8, 97 Pacific Highway, North Sydney
PO BOX 885, North Sydney, 2060
PO BOX 6006, Park Beach Plaza, Coffs Harbour, 2450



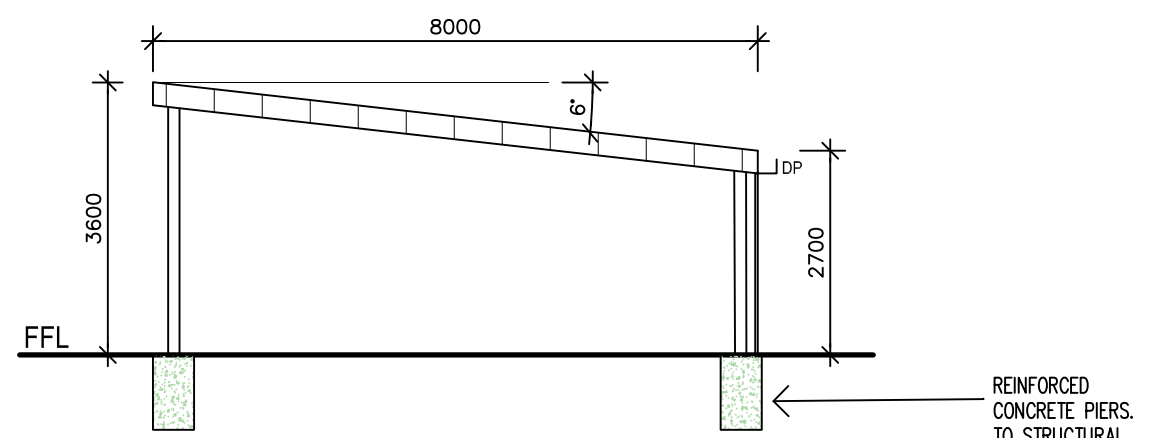
ROOF PLAN



NORTH ELEVATION



PLAN



WEST ELEVATION

PROPOSED CARPORT

SCALE 1:100 @ A3