

## GENERAL NOTES

These documents show the general arrangement of the building and include some items not supplied (refer to the quotation for nomination of all items to be provided). All items not nominated therein shall be supplied and installed by others.

The plans provided here are the latest at the time of print. Earlier plans provided may have become outdated due to engineering changes and should not be used. The plans and drawings are extensive and give all the information needed for a competent person to erect the building. The building is not designed to stand up by itself when it is partially complete. Consequently, construction bracing is critical during erection.

The owner has been requested to check off the BOM after the building delivery. You should check that you are able to locate all materials nominated in the BOM. You should also confirm that the length and size (including thickness), nominated in the BOM is what has been provided. Any missing items are the responsibility of the client once correct delivery has been confirmed as per Terms and Conditions of Sale.

## DESIGN CRITERIA

These building plans have been prepared to comply with the standards nominated in the engineer's letter. All plans are not to Scale.

## ADDITIONAL DOCUMENTATION TO BE SUPPLIED BY PURCHASER/OWNER

The Purchaser/Owner is responsible for:

- \*Provision of Soils Report for the site and in the building area on which the building is to be erected
- \*Site Plan and Drainage Plans
- \*Any other plans not covered by these engineering plans requested by the local Council or the authority

## RAINWATER AND DRAINAGE

All Rainwater and drainage designs are the responsibility of the purchaser/owner. Residential gutters and downpipes where supplied are based on average rainfall for the state and may not be sufficient for your building size or usage. Please speak to your building designer or contractor to ensure gutters are fit for purpose.

## BUILDING CONSTRUCTION REQUIREMENTS

The Builder and Purchaser are to ensure that all construction is carried out in accordance with the Plans, the Construction Manual and the Bill of Materials (BOM).

It is the responsibility of the builder to ensure that they are familiar with the operational risks and their obligations in carrying out construction work.

The builder must ensure that they have an appropriate Health & Safety Plan (The Plan) compliant with and as required by their local, state and federal regulations. The Plan will need to take into account the site conditions, the size of the building and the experience of the construction personnel. The Plan will, most likely, differ for each project.

The builder must ensure that The Plan is adhered to. Particular attention should be paid to the requirements to ensure that any person working at heights are properly trained and following the requirements as set out by The Plan.

It is recommended that you check with the appropriate authority in your area as to your responsibilities.

## TEMPORARY SUPPORT, LIFTING AND SHORING

The design of temporary propping shoring, lifting and support during construction has not been undertaken and is not included in our engagement. This work is the responsibility of the Contractor undertaking the construction of the building.

## SLAB DETAILS - GENERAL

\* The minimum size of Piers under the columns and End Wall Mullions are nominated on the Material Specifications Plan. When the slab and piers are poured as one pour, the depth of the pier is to the top of the slab.

\* Pier Reinforcement: for any piers over 1100mm, deformed bar to within 100mm of base and minimum 75mm top cover. Minimum side cover 75mm, maximum 100mm. Rod to be caged horizontally at least twice and at a maximum of 300mm spacing. Tie with a minimum of 6mm diameter cage tie. Where pier diameter is less than 450mm diameter, use 4 N12. For diameters equal to and over 450mm, use 4 N16.

## Concrete Slab

- \* Footings and slabs, including internal and edge beams, must be founded on natural soil with a minimum allowable bearing capacity of 100kPa. Design covers soil classifications of A, S, M, H1 or H2 for a class 10 building.
- \* The footing designs have been calculated with adhesion values of 0kPa, 25kPa and 50kPa for clay soils and dense sand soils only.
- \* A site specific geotechnical investigation has not been performed. The builder will need to verify the soil type and conditions.
- \* Site conditions different to those specified require a modified design.
- \* Sub grade shall be excavated and compacted to a minimum of 100% standard dry density ratio and within 2% of the OMC to comply with AS2159.
- \* Designs are in accordance with AS 3600:2018
- \* All concrete to be in accordance with AS 3600:2018. Minimum 25 Mpa, with 80mm slump.
- \* Concrete should be cured for 7 days before commencing construction of the building.
- \* Refer to connection details.
- \* Saw construction joints to be 25mm deep x 5mm wide. Saw cuttings shall take place no later than 24 hours after pouring. Saw construction joints to be placed at a maximum spacing of 6.3m (in both the length and the span). Care should be taken to avoid construction cuts intersecting where any fixing to the slab is to be made.
- \* Where columns or end wall mullions have been removed, piers are not required.
- \* End wall mullion spacing may move due to location of openings or doors. Check layout and component position plan, and relocate piers as required.

\* The Slab Plan indicates those parts of the slab which are 50mm below main slab/piers.

## For Class A, S or M Sites

- \* Slab thickness to be a minimum of 100mm with SL 72 mesh and 40mm top cover.
- \* Concrete piers under Roller Doors Jambes to be a minimum size as below: C20019 - 450mm dia x 500mm deep, centered to the C Section  
Where heavy traffic is to go through the roller doors, it is recommended that the slab edge should be thickened to 200mm deep by 300mm wide for the length between the mullions. Place an additional section of SL 72 mesh, 50mm from the base in all thickenings.

## For Class H1 or H2 Sites

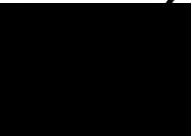
- \* Slab thickness to be a minimum of 100mm with SL 82 mesh and 40mm top cover.
- \* Perimeter beams 400mm deep x 300mm wide with Y12 3 bar Trench Mesh to the perimeter of the building.
- \* Internal beams 400mm deep by 300mm wide with Y12 3 bar Trench Mesh at a max spacing of 6.2m.
- \* Concrete piers under Roller Doors Jambes to be a minimum size as below: C20019 - 450mm dia x 650mm deep, centered to the C Section

## SHEETED PORTALS AND MULLIONS

All end wall mullions provide critical support to portal frames and cannot be repositioned or removed under any circumstances without engineering approval.

## BRACING NOTES

- \* Refer to Connection Details.
  - \* All Cross Bracing is achieved with 1.2mm Strap G450.
  - \* Cross bracing is to be fixed taut and secured with 14.20 x 22 frame screws at each end, quantity as per connection details.
  - \* Fly bracing to be fixed to the purlins/girts on all mid portal rafters, columns and end wall mullions. Fly bracing is to be fitted to every second purlin/girt, or, on every one, where the spacing between fly braces would exceed the maximum specified below for the relevant column/rafter size:
    - C150 - maximum 1800mm spacing
    - C200, C250 - maximum 2200mm spacing
    - C300 - maximum 2800mm spacing
    - C350 - maximum 2800mm spacing
    - C400 - maximum 2800mm spacing
- Initial measurement is from the haunch of the column/rafter, and from the rafter for any end wall mullions.
- \* Where windows/GSD are placed in any bay where cross bracing is shown, then
    - a) this can be replaced by moving the bracing to another bay OR
    - b) due to the bracing provided by the window jamb, where space permits, bracing should be placed under and over the window.

Revision	Date	Initial			General Notes	Seller: THE Shed Company Mudgee Name: S & K Lincoln Pty Ltd Phone: (02) 6372 7755 Fax: (02) 6372 7700 Email: mudgeeadmin@theshedcompany.com.au	Apex Engineering Group PTY LTD ACN 632 588 562 MIE Aust. (Registered NER Structural) 5276680 QLD : RPEQ No. 24223; TAS : 185770492; VIC : PE0003848; N.T : 303557ES; Practising Professional Structural & Civil Engineers		
			Purchaser Name: Elsie Atkins					Page 1 of 2 ©Copyright Steelx IP Pty Ltd	Signature: 
			Site Address: 89 Lewis St Mudgee NSW 2850 Australia						
			Drawing # TMUD230018 - 2	Print Date: 18/04/2023					

\* All bracing strap ends to be located as close as practical to structural member's (columns, rafters, mullions) centerline.

**BOLTS**

\* Unless otherwise nominated, all bolts are grade 4.6

\* All tensioned bolts shall be tensioned using the part turn method (refer to AS4100). For the erector, full details are in the construction manual.

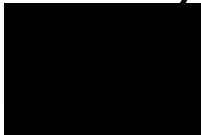

**ROLLER DOORS**

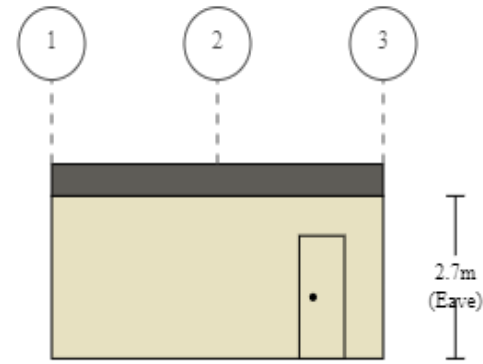
All comments regarding roller doors are referenced from inside the building looking out.

**OTHER MATERIALS NOTES**

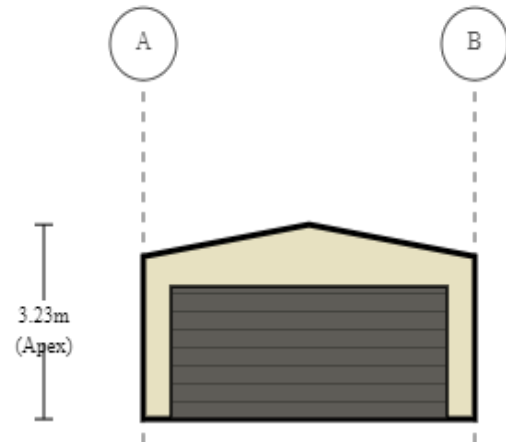
\* All Sheeting, Flashing and framing screws are Climaseal 4.

\* All purlin material has Z350 zinc coating with minimum strength of 450MPa.

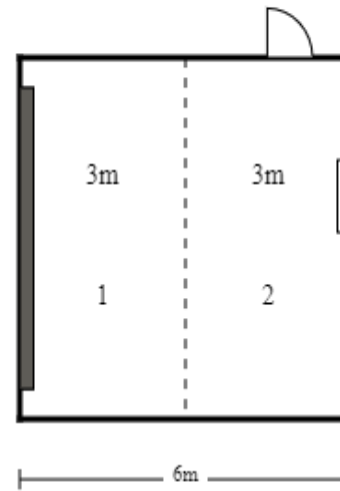
Revision	Date	Initial	Purchaser Name: Elsie Atkins		<b>General Notes</b>  Page 2 of 2 ©Copyright Steelx IP Pty Ltd	Seller: THE Shed Company Mudgee Name: S & K Lincoln Pty Ltd Phone: (02) 6372 7755 Fax: (02) 6372 7700 Email: mudgeeadmin@theshedcompany.com.au	Apex Engineering Group PTY LTD ACN 632 588 562 MIE Aust. (Registered NER Structural) 5276680 QLD : RPEQ No. 24223; TAS : 185770492; VIC : PE0003848; N.T : 303557ES; Practising Professional Structural & Civil Engineers  Signature:   Date: 18/04/23
			Site Address: 89 Lewis St Mudgee NSW 2850 Australia				
			Drawing # TMUD230018 - 2	Print Date: 18/04/2023			



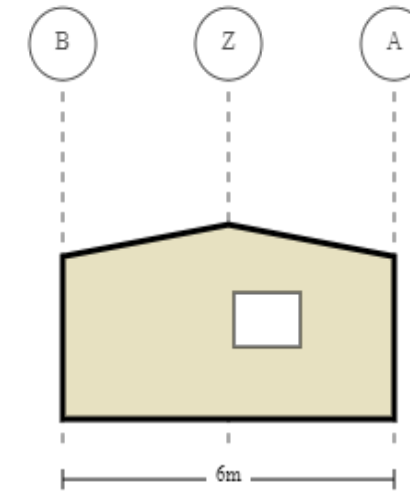
Left Side



Left End



Right Side



Right End



Purchaser Name: Elsie Atkins

Site Address: 89 Lewis St Mudgee NSW 2850 Australia

Drawing # TMJD230018 - 3

Print Date: 18/04/23

**Layout**  
Not to Scale  
© Copyright Steelx IP Pty Ltd

Seller: THE Shed Company Mudgee  
S & K Lincoln Pty Ltd  
Phone: (02) 6372 7755  
Fax: (02) 6372 7700  
Email: mudgeeadmin@theshedcompany.com.au

Apex Engineering Group PTY LTD  
ACN 632 588 562  
ME Aust. (Registered NER Structural) 5276680  
QLD : RPEQ No. 24223; TAS : 185770492; VIC : PE0003848; N.T. : 303557ES;  
Practising Professional Structural & Civil Engineers

Signature: [Redacted]

Date: 18/04/23

## MATERIAL SPECIFICATIONS

For further information regarding the tabulated values shown, refer to the General Notes

### Building Dimensions

Categories	Span	Length	Pitch	Height	Grid(s)	Portal(s)
Main Building	6	6	10	2.7	A - B	1 - 3

### Portal Frame Elements

Grid / Portal Number		1	2	3
Columns	A	C15012	C15012	C15012
	B	C15012	C15012	C15012
Rafters	A - Apex	C15012	C15012	C15012
	Apex - B	C15012	C15012	C15012
End Wall Mullions	Z	-	-	C15012

### Bay Section Elements

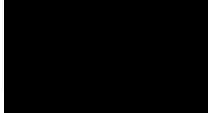
Grid / Bay Number		1	2	Maximum
Bay Widths		3	3	
Roof Purlins (refer to Purlin And Girt Plan)		TH64	TH64	
Roof Purlin Spacing (End)	A - Apex	0.9	0.9	0.900
	Apex - B	0.9	0.9	0.900
Roof Purlin Spacing (Internal Spans)	A - Apex	1.196	1.196	1.200
	Apex - B	1.196	1.196	1.200
Eave Purlin	A	XC15012	XC15012	
	B	XC15012	XC15012	
Side Girts (refer to Purlin And Girt Plan)		TH64	TH64	
Side Girts Spacing (End)	A	1.235	1.235	1.700
	B	1.235	1.235	1.700
Side Girts Spacing (Internal)	A	1.235	1.235	1.700
	B	1.235	1.235	1.700
PA Door Header	A	-	C10010	
	B	-	-	
PA Door Jambs	A	-	C10010	
	B	-	-	

### End Bay Section Elements

Grid / Portal Number		1	3	Maximum
End Girts (refer to Purlin And Girt Plan)		TH64	TH64	
End Girts Spacing (End)	A - B	1.235	-	1.700
	A - Z	-	1.235	1.700
	Z - B	-	1.235	1.700
End Girts Spacing (Internal)	A - B	1.235	-	1.700
	A - Z	-	1.235	1.700
	Z - B	-	1.235	1.700
Roller Door Header	A - B	HEADER1	-	
	A - Z	-	-	
	Z - B	-	-	
Roller Door Jambs	A - B	C20019	-	
	A - Z	-	-	
	Z - B	-	-	

### Cladding Elements

Category	Colour	Product
Roof Sheeting	WoodlandGrey	CORODEK® 0.42 BMT (0.47TCT)
Roof Flashings	COLORBOND® steel	BlueScope 0.55 BMT
Wall Sheeting	ClassicCream	CORODEK® 0.42 BMT (0.47TCT)

Revision	Date	Initial			Specification Sheet	Seller: THE Shed Company Mudgee Name: S & K Lincoln Pty Ltd Phone: (02) 6372 7755 Fax: (02) 6372 7700 Email: mudgeeadmin@theshedcompany.com.au	Apex Engineering Group PTY LTD ACN 632 588 562 MIE Aust. (Registered NER Structural) 5276680 QLD : RPEQ No. 24223; TAS : 185770492; VIC : PE0003848; N.T : 303557ES; Practising Professional Structural & Civil Engineers  Signature: 
			Purchaser Name: Elsie Atkins				
			Site Address: 89 Lewis St Mudgee NSW 2850 Australia				
			Drawing # TMUD230018 - 4	Print Date: 18/04/2023			



**MATERIAL SPECIFICATIONS**

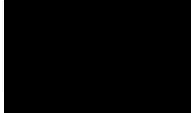
For further information regarding the tabulated values shown, refer to the General Notes

**Cladding Elements (Continue)**

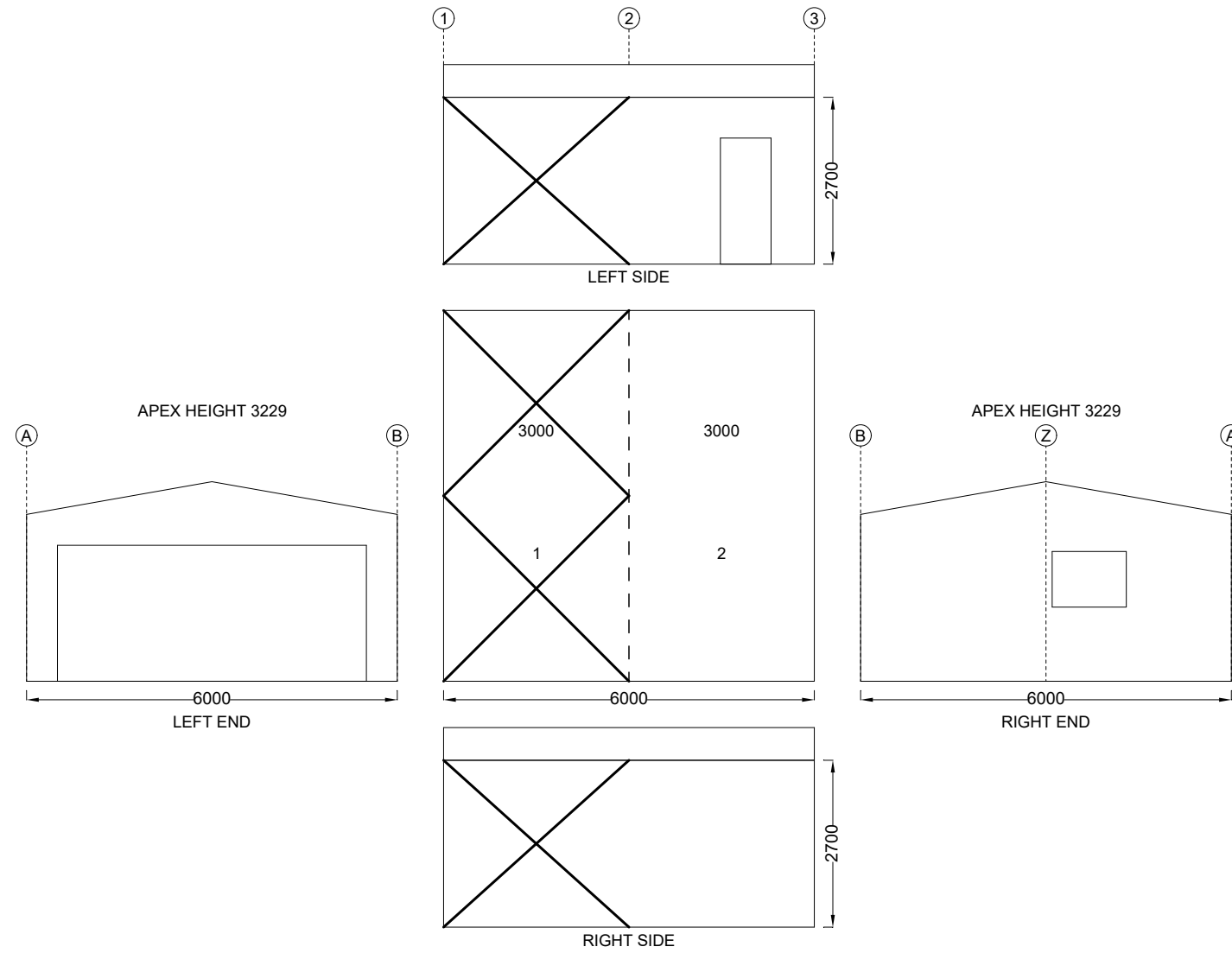
Category	Colour	Product
Wall Flashing	COLORBOND® steel	BlueScope 0.55 BMT

**Pier Sizes**

Adhesion (kPa)	Soil Description	Diameter (m)	Depth (m) - with Slab	
			BP1	BP2
0	Sandy Soil	0.3	0.45	0.45
		0.45	0.45	0.45
		0.6	0.45	0.45
25	Soft to Firm Clay	0.3	0.45	0.45
		0.45	0.45	0.45
		0.6	0.45	0.45
50	Stiff to Very Stiff Clay	0.3	0.45	0.45
		0.45	0.45	0.45
		0.6	0.45	0.45

Revision	Date	Initial	Purchaser Name: Elsie Atkins	Specification Sheet	Seller: THE Shed Company Mudgee Name: S & K Lincoln Pty Ltd Phone: (02) 6372 7755 Fax: (02) 6372 7700 Email: mudgeeadmin@theshedcompany.com.au	Apex Engineering Group PTY LTD ACN 632 588 562 MIE Aust. (Registered NER Structural) 5276680 QLD : RPEQ No. 24223; TAS : 185770492; VIC : PE0003848; N.T : 303557ES; Practising Professional Structural & Civil Engineers
			Drawing # TMUD230018 - 4	Page 2 of 2 ©Copyright Steelx IP Pty Ltd		Signature: 
			Print Date: 18/04/2023			Date: 18/04/23

Cross Bracing is achieved with 1.2mm Strap. Refer to Connection Details.



Revision	Date	Initial	Purchaser Name: Elsie Atkins	
			Site Address: 89 Lewis St Mudgee NSW 2850 Australia	
			Drawing # TMUD230018 - 5	Print Date: 18/04/2023

**Bracing**

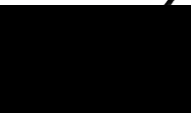

NOT TO SCALE

Page 1 of 1

©Copyright Steelx IP Pty Ltd

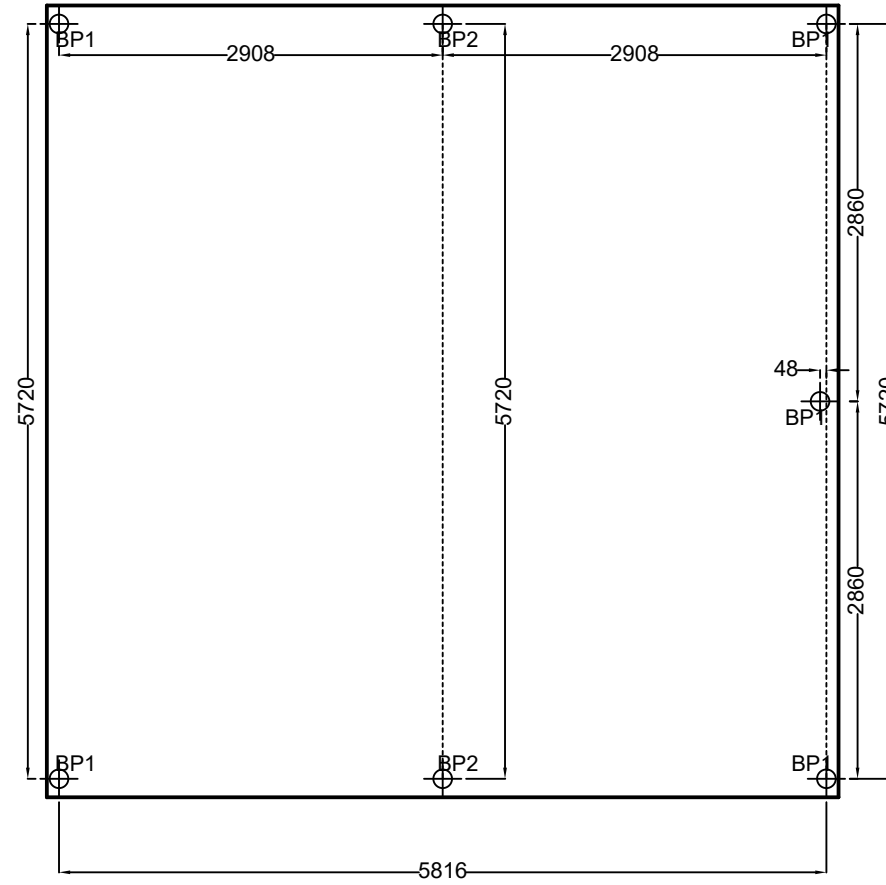
Seller: THE Shed Company Mudgee  
 Name: S & K Lincoln Pty Ltd  
 Phone: (02) 6372 7755  
 Fax: (02) 6372 7700  
 Email: mudgeeadmin@theshedcompany.com.au

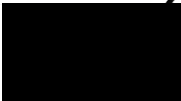
Apex Engineering Group PTY LTD  
 ACN 632 588 562  
 MIE Aust. (Registered NER Structural) 5276680  
 QLD : RPEQ No. 24223; TAS : 185770492; VIC : PE0003848; N.T : 303557ES;  
 Practising Professional Structural & Civil Engineers

Signature:  

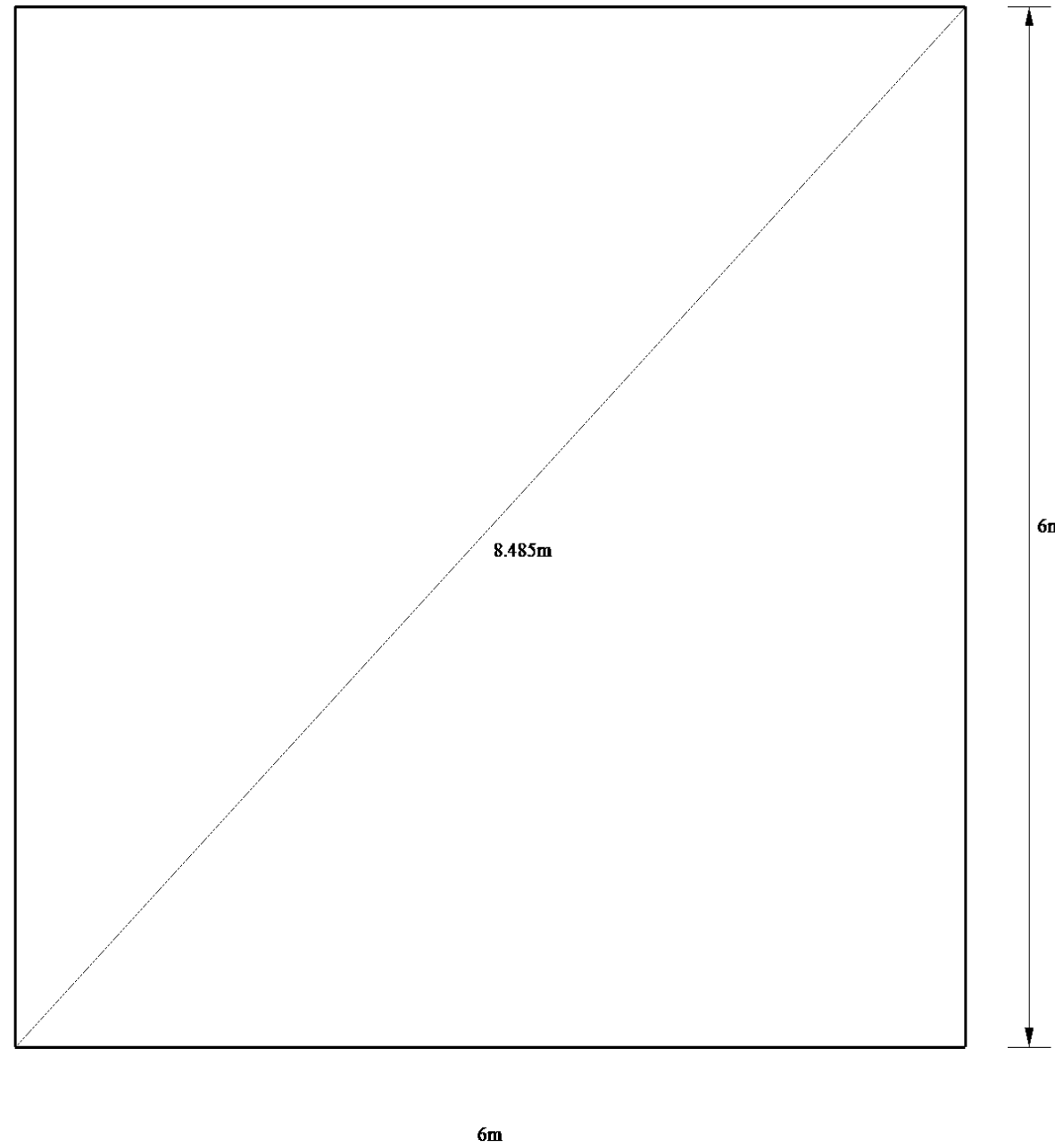
Date: 18/04/23

These dimensions are provided as a guide only. It is the responsibility of the concreter to confirm that all dimensions are correct.  
 Refer to Material Specifications Plan for BP dimensions.



Revision	Date	Initial			<b>Concrete Piers</b> PIER MEASUREMENT ONLY NOT TO SCALE Page 1 of 1 ©Copyright Steelx IP Pty Ltd	Seller: THE Shed Company Mudgee		Apex Engineering Group PTY LTD ACN 632 588 562 MIE Aust. (Registered NER Structural) 5276680 QLD : RPEQ No. 24223; TAS : 185770492; VIC : PE0003848; N.T : 303557ES; Practising Professional Structural & Civil Engineers	
			Purchaser Name: Elsie Atkins			Name: S & K Lincoln Pty Ltd			Signature: 
			Site Address: 89 Lewis St Mudgee NSW 2850 Australia			Phone: (02) 6372 7755			
			Drawing # TMUD230018 - 6			Fax: (02) 6372 7700			
			Print Date: 18/04/2023			Email: mudgeeadmin@theshedcompany.com.au			
							Date: 18/04/23		

These dimensions are provided as a guide only. It is the responsibility of the concreter to confirm that all dimensions are correct.



Purchaser Name: Elsie Atkins

Site Address: 89 Lewis St Mudgee NSW 2850 Australia

Drawing # TMJD230018 - 7

Print Date: 18/04/23

**Slab Dimensions**  
Also refer to Concrete Piers Plan  
Not to Scale  
© Copyright Steelx IP Pty Ltd

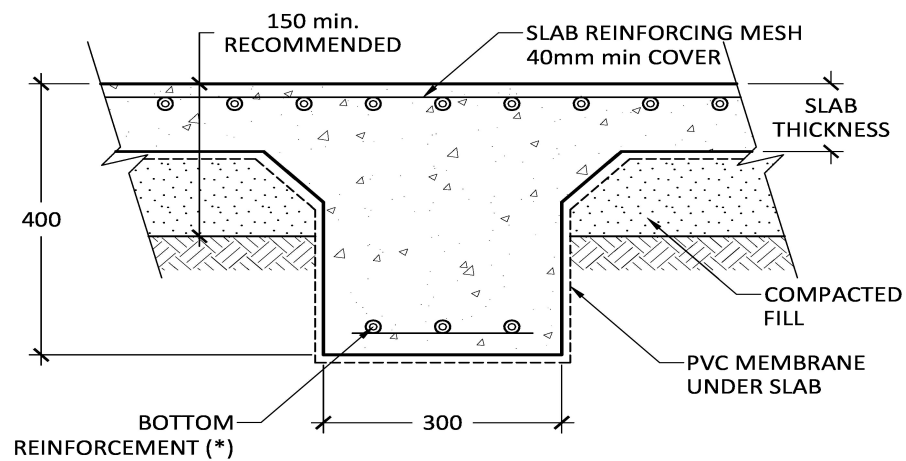
Seller: THE Shed Company Mudgee  
S & K Lincoln Pty Ltd  
Phone: (02) 6372 7755  
Fax: (02) 6372 7700  
Email: mudgeeadmin@theshedcompany.com.au

Apex Engineering Group PTY LTD  
ACN 632 588 562  
ME Aust. (Registered NER Structural) 5276680  
QLD : RPEQ No. 24223; TAS : 185770492; VIC : PE0003848; N.T : 303557ES;  
Practising Professional Structural & Civil Engineers

Signature: (

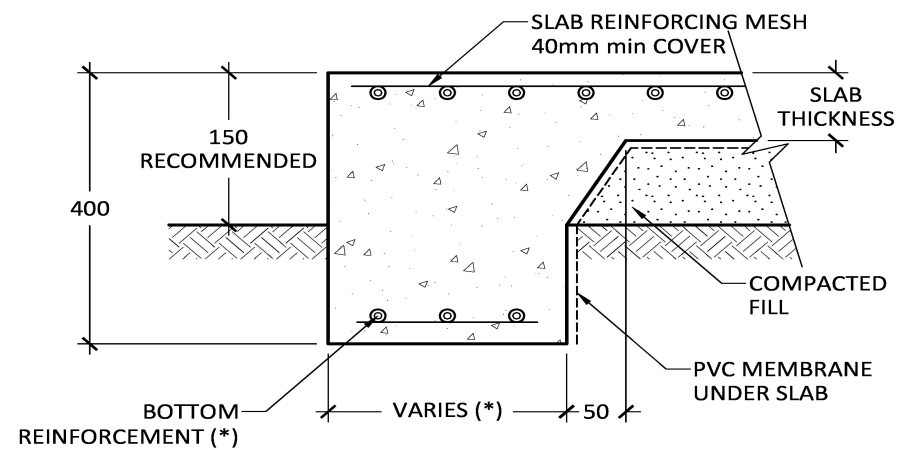


Date: 18/04/23



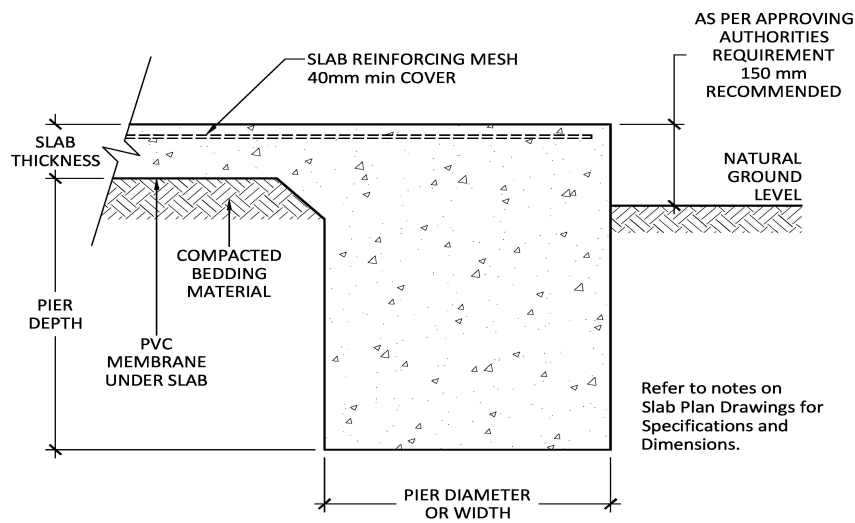
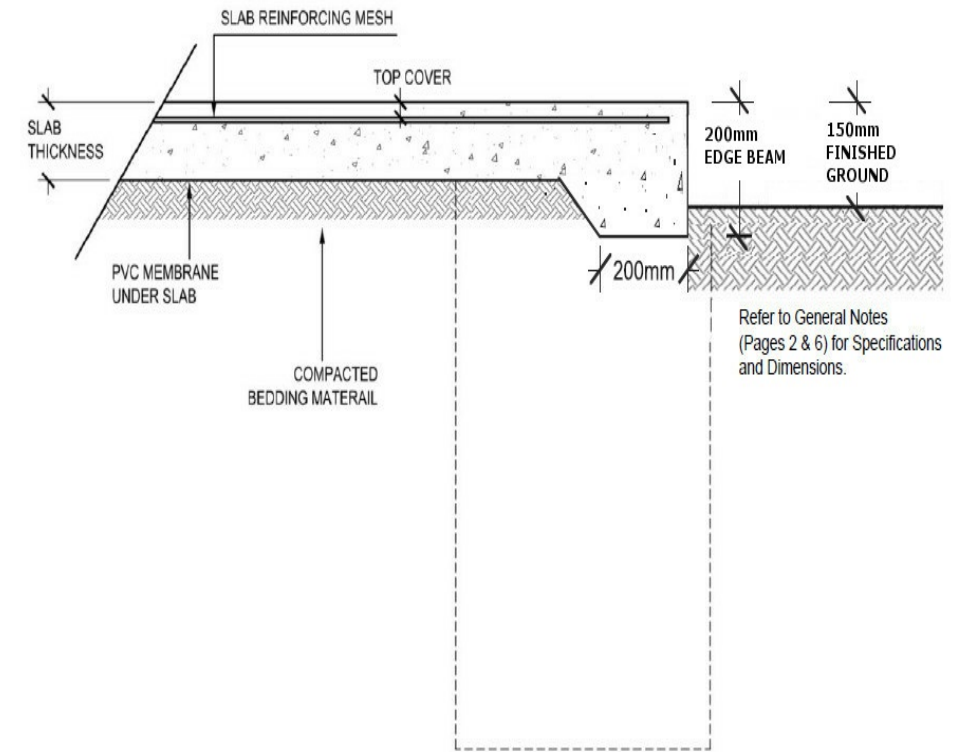
(\* REFER TO GENERAL NOTES FOR SPECIFICATION)

**INTERNAL BEAM**  
(H1 & H2 SOIL TYPE, OPTIONAL A, S & M)

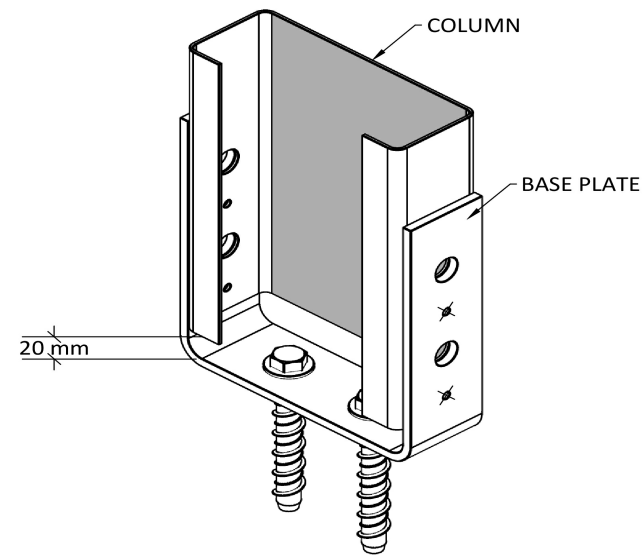


(\* REFER TO GENERAL NOTES FOR SPECIFICATION)

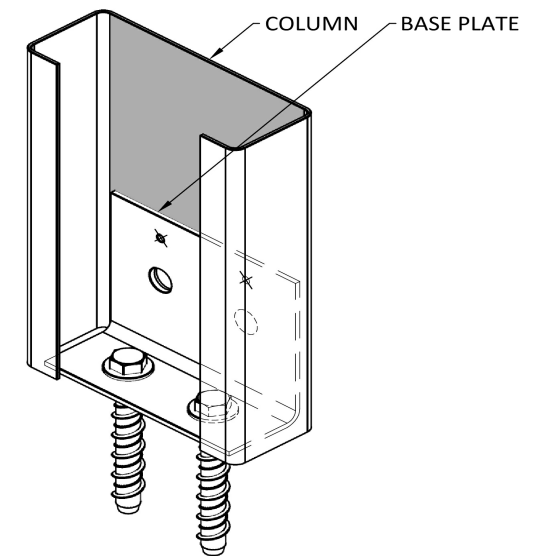
**PERIMETER BEAM**  
(H1 & H2 SOIL TYPE, OPTIONAL A, S & M)



**SLAB AND PIER DETAIL**



- FIXING BOLTS - 2 of M12 x 100 SCREWBOLT
  - FIXING BOLTS - 4 of M12 x 30 Galv.
  - × FIXING SCREWS - 4 of 12.24 x 38 Series 500
- C150 COLUMN FIXING (BF)**



- FIXING BOLTS - 2 of M12 x 100 SCREWBOLTS
  - FIXING BOLTS - 2 of M12 x 30 Galv.
  - × FIXING SCREWS - 2 of 14.20 x 22
- C150 MULLION BASE PLATE (B)**

Purchaser Name: Elsie Atkins

Site Address: 89 Lewis St Mudgee NSW 2850 Australia

Drawing # TMJD230018 - 8

Print Date: 18/04/23

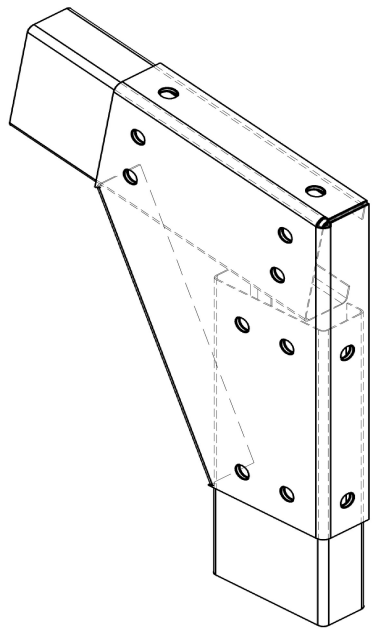
**Connection Details**  
Not to Scale  
Page 1 of 6  
© Copyright Steelx IP Pty Ltd

Seller: THE Shed Company Mudgee  
S & K Lincoln Pty Ltd  
Phone: (02) 6372 7755  
Fax: (02) 6372 7700  
Email: mudgeeadmin@theshedcompany.com.au

Apex Engineering Group PTY LTD  
ACN 632 588 562  
ME Aust. (Registered NER Structural) 5276680  
QLD : RPEQ No. 24223; TAS : 185770492; VIC : PE0003848; N.T : 303557ES;  
Practising Professional Structural & Civil Engineers

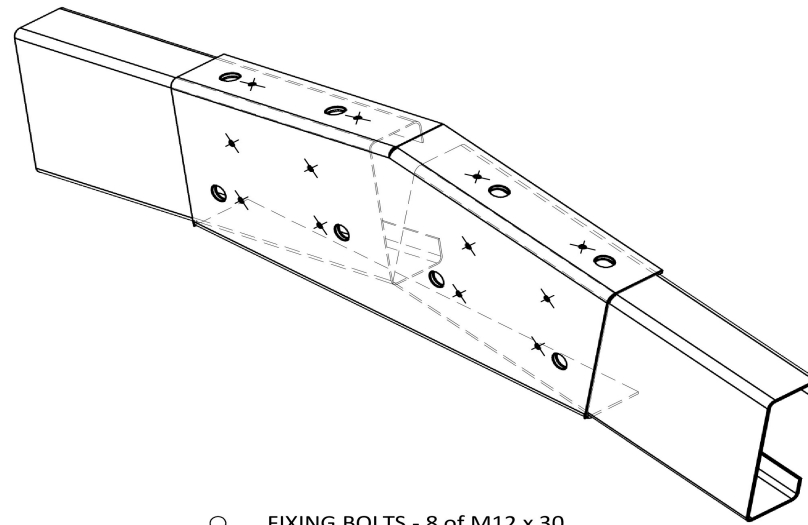
Signature: \_\_\_\_\_

Date: 18/04/23



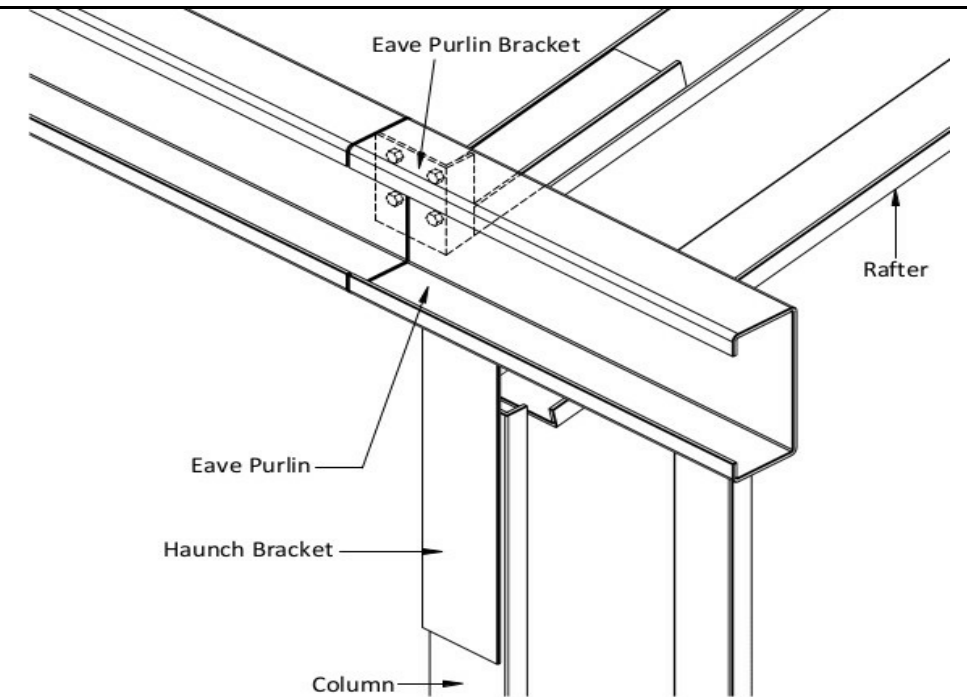
○ FIXING BOLTS - 12 of M12 x 30 (8.8)

**KNEE HAUNCH BRACKET (HS&HT) - C150, 10°**



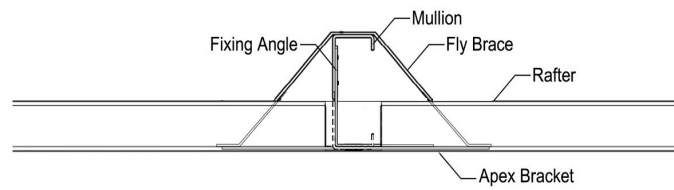
○ FIXING BOLTS - 8 of M12 x 30  
 × FIXING SCREWS - 12 of 14.20 x 22

**APEX PLATE, C150, 10°**

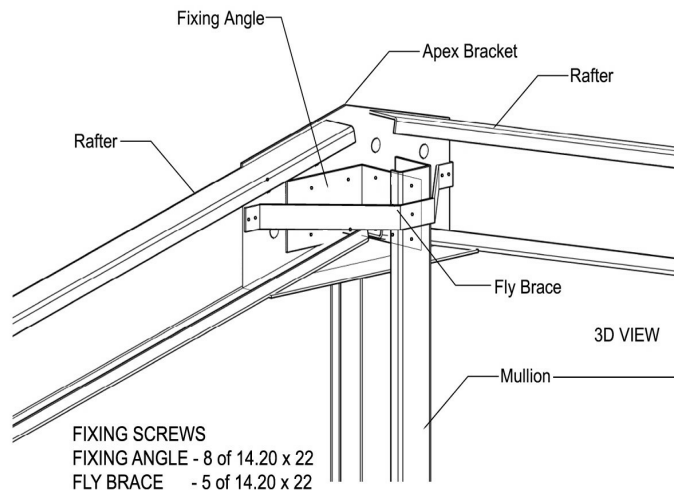


FIXING SCREWS - 4 of 14.20 x 22

**EAVE PURLIN TO EAVE PURLIN BRACKET**



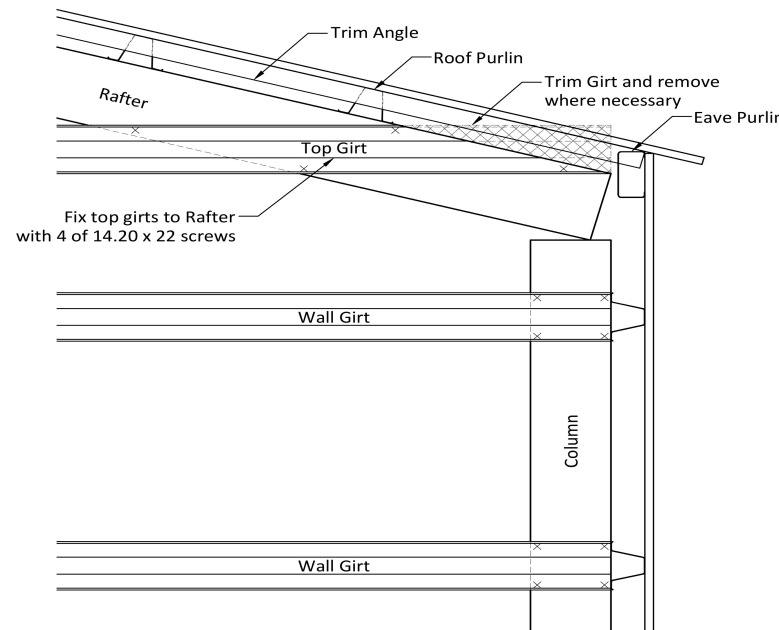
TOP VIEW



3D VIEW

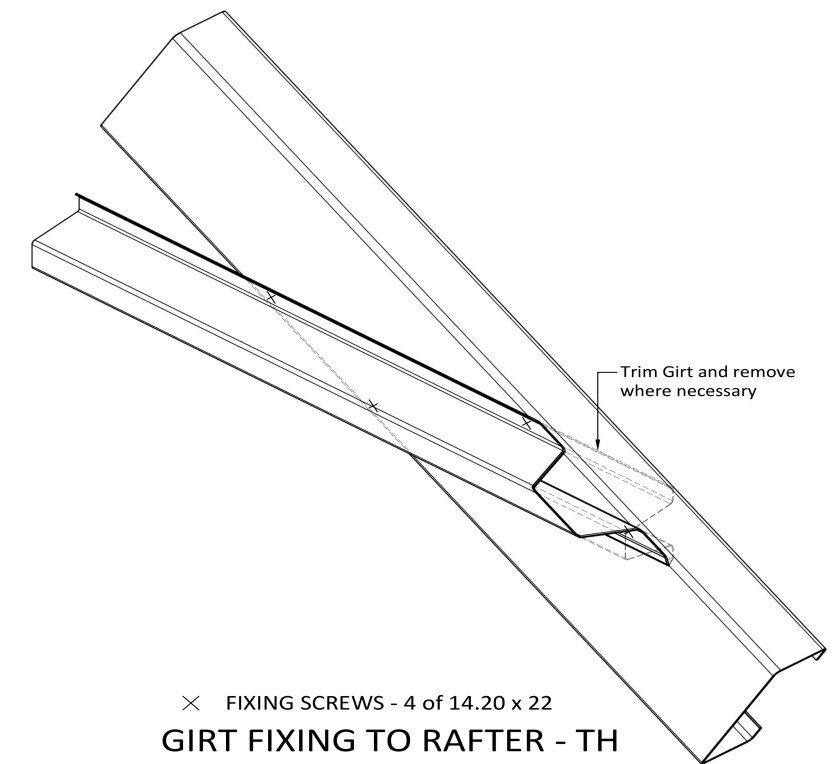
FIXING SCREWS - 8 of 14.20 x 22  
 FIXING ANGLE - 8 of 14.20 x 22  
 FLY BRACE - 5 of 14.20 x 22

**END WALL MULLION TO APEX**



Fix top girts to Rafter with 4 of 14.20 x 22 screws

**GABLE END TOP GIRT FIXING - TH**



× FIXING SCREWS - 4 of 14.20 x 22

**GIRT FIXING TO RAFTER - TH**

Purchaser Name: Elsie Atkins

Site Address: 89 Lewis St Mudgee NSW 2850 Australia

Drawing # TMJD230018 - 8

Print Date: 18/04/23

**Connection Details**

Not to Scale  
 Page 2 of 6  
 © Copyright Steelx IP Pty Ltd

Seller: THE Shed Company Mudgee  
 S & K Lincoln Pty Ltd  
 Phone: (02) 6372 7755  
 Fax: (02) 6372 7700  
 Email: mudgeeadmin@theshedcompany.com.au

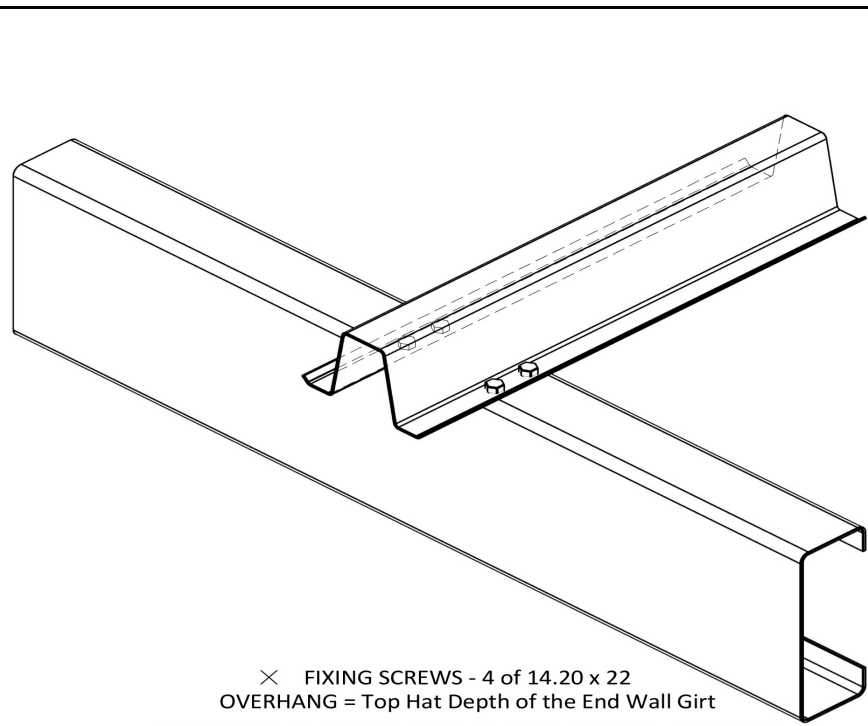
Apex Engineering Group PTY LTD  
 ACN 632 588 562  
 ME Aust. (Registered NER Structural) 5276680  
 QLD : RPEQ No. 24223; TAS : 185770492; VIC : PE0003848; N.T : 303557ES;  
 Practising Professional Structural & Civil Engineers

Signature:

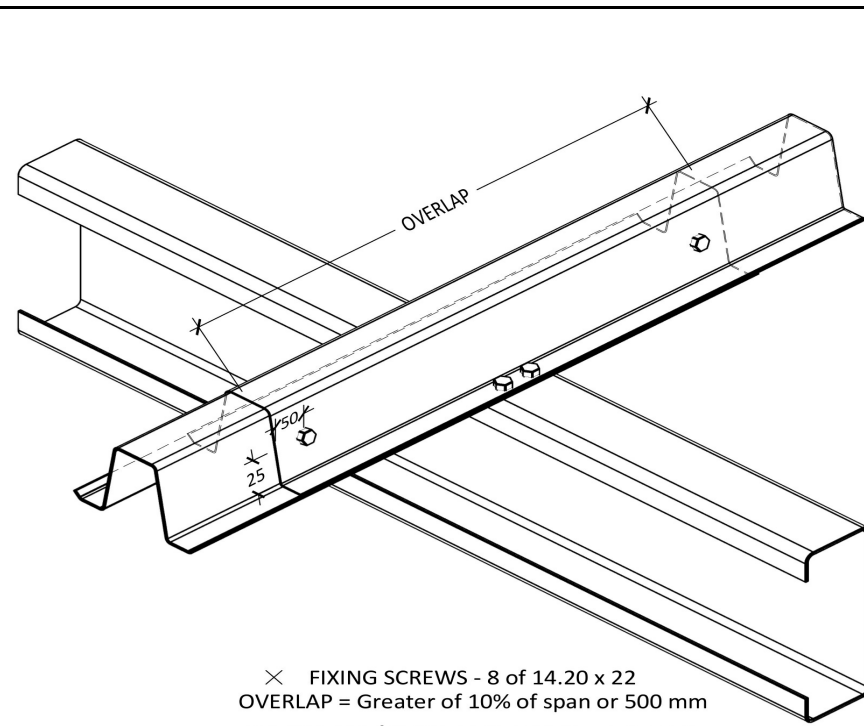
[Redacted Signature]

Date: 18/04/23

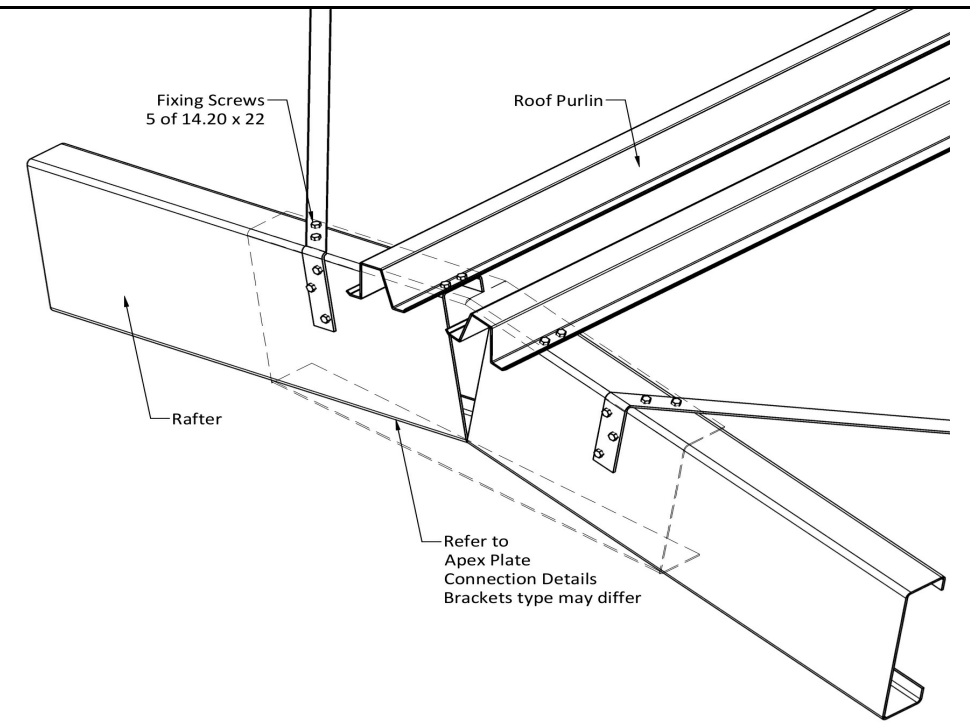




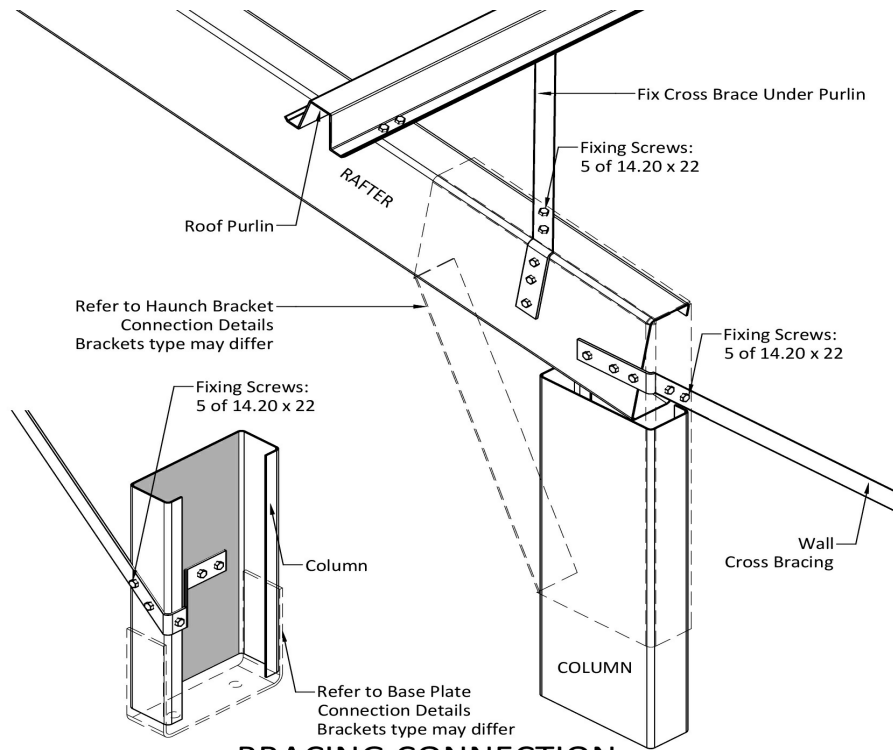
× FIXING SCREWS - 4 of 14.20 x 22  
 OVERHANG = Top Hat Depth of the End Wall Girt  
**PURLIN & SIDE GIRT END WALL FIXING  
 TOP HAT - SINGLE COLUMN OR RAFTER**



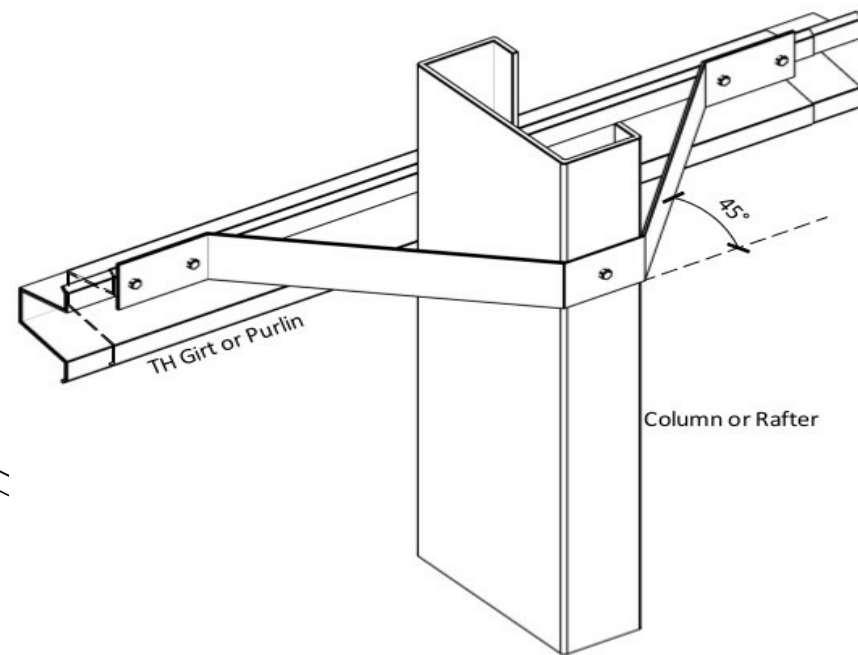
× FIXING SCREWS - 8 of 14.20 x 22  
 OVERLAP = Greater of 10% of span or 500 mm  
**PURLIN/GIRT FIXING - TH64  
 WITH SINGLE COLUMN OR RAFTER**



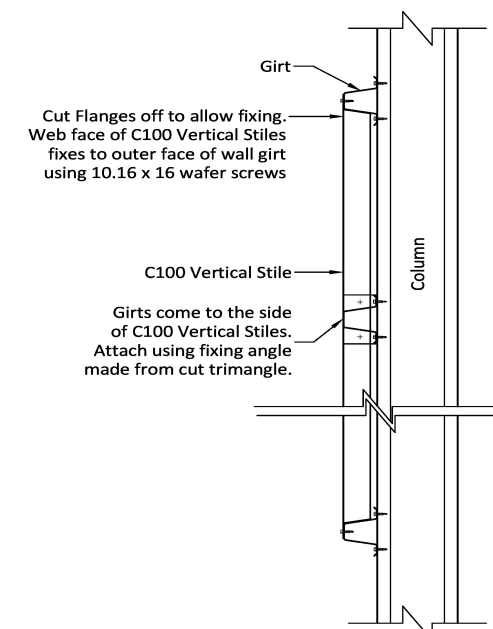
**BRACING CONNECTION AT APEX**



**BRACING CONNECTION**



**FLY BRACING**



**Window Frame (Over 900 High and 1500 Wide)**  
 Note: Top of Window 2100 above GL. Window frame fixed to vertical stiles only

Purchaser Name: Elsie Atkins

Site Address: 89 Lewis St Mudgee NSW 2850 Australia

Drawing # TMJD230018 - 8

Print Date: 18/04/23

**Connection Details**  
 Not to Scale  
 Page 3 of 6  
 © Copyright SteelxIP Pty Ltd

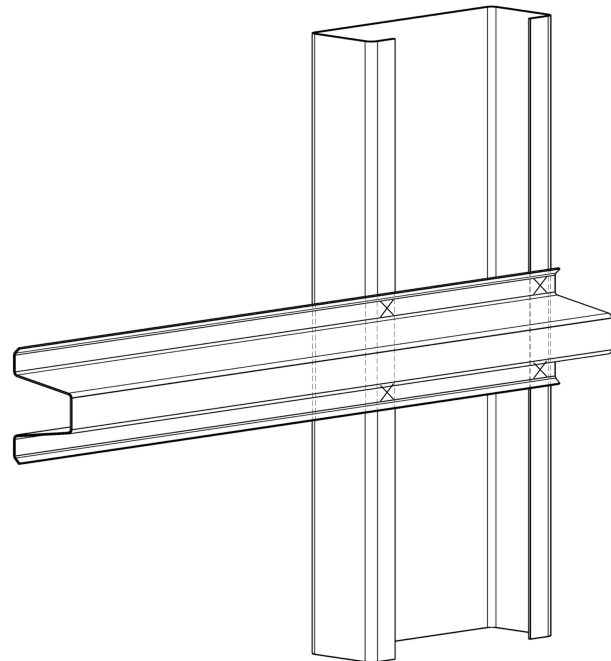
Seller: THE Shed Company Mudgee  
 S & K Lincoln Pty Ltd  
 Phone: (02) 6372 7755  
 Fax: (02) 6372 7700  
 Email: mudgeeadmin@theshedcompany.com.au

Apex Engineering Group PTY LTD  
 ACN 632 588 562  
 ME Aust. (Registered NER Structural) 5276680  
 QLD : RPEQ No. 24223; TAS : 185770492; VIC : PE0003848; N.T : 303557ES;  
 Practising Professional Structural & Civil Engineers

Signature:

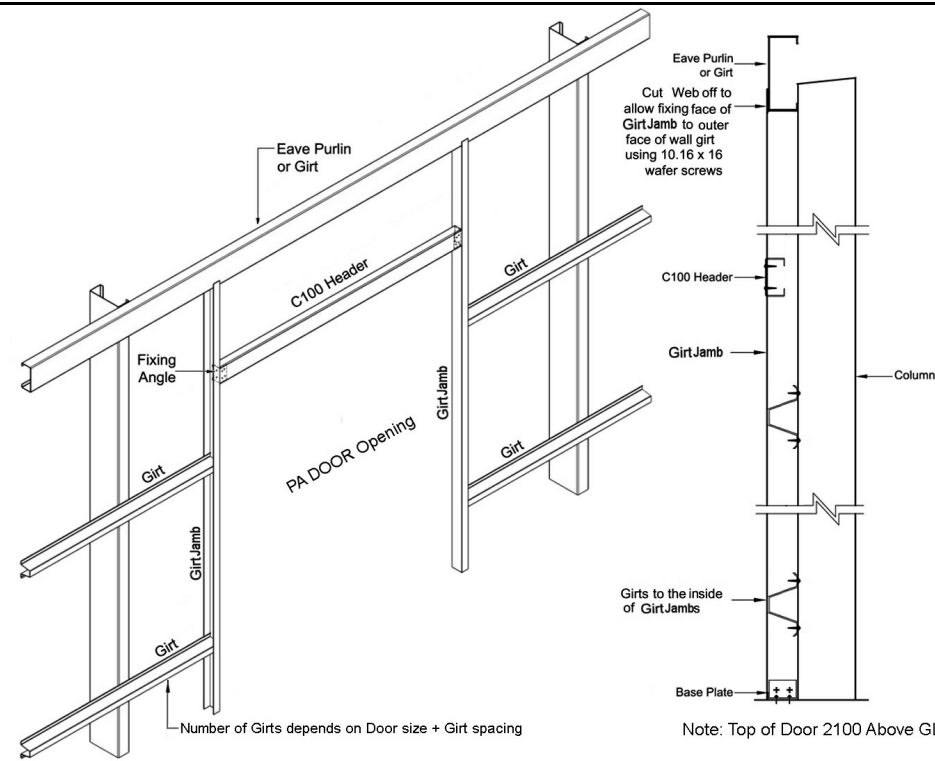


Date: 18/04/23

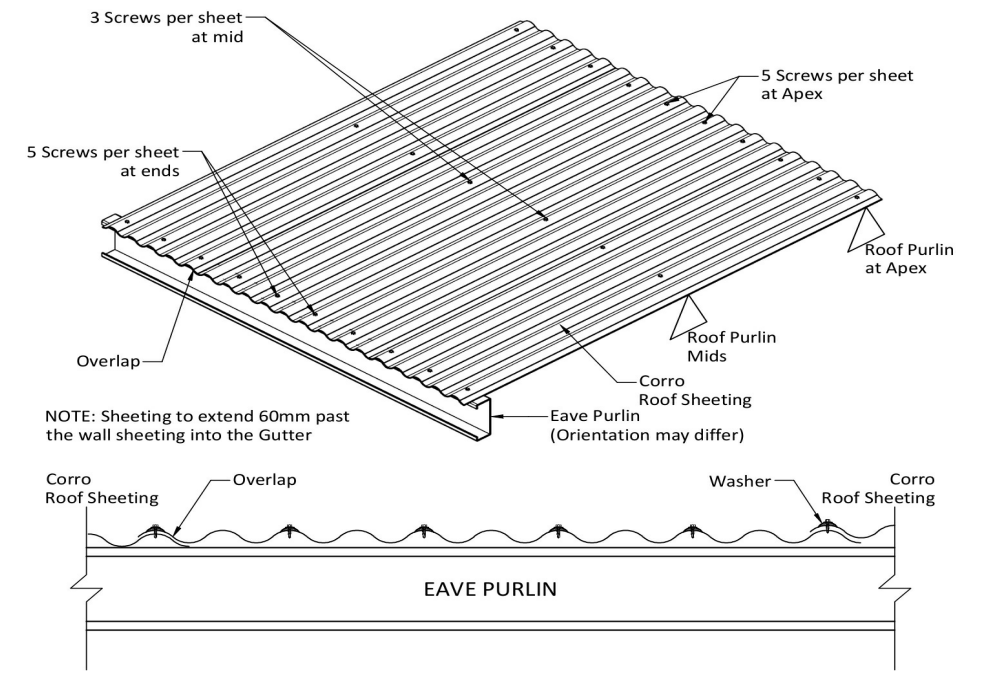


× FIXING SCREWS - 4 of 14.20 x 22

**GIRT FIXING TO MULLIONS - TOP HAT**

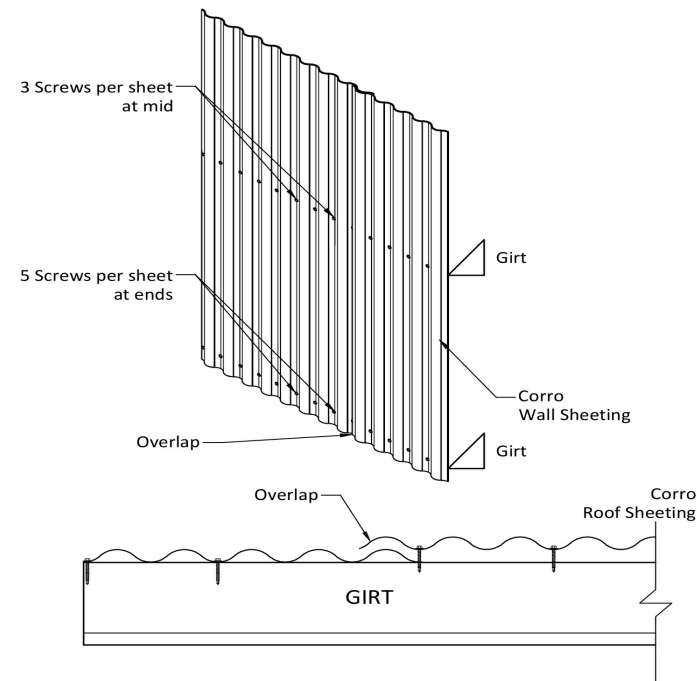


**PA DOOR (PRE HUNG) CONNECTION DETAILS**



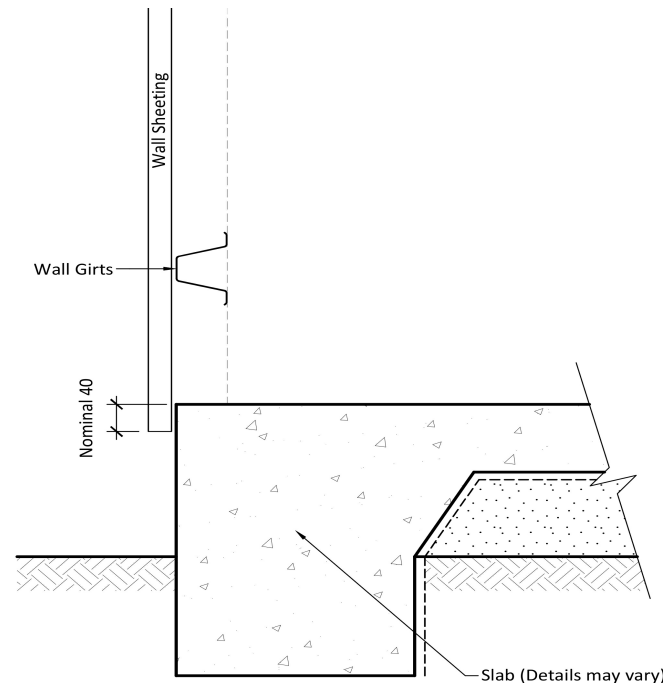
Roofing Screws - 12.14 x 35 Hex Seal High Grip with Cyclonic Washer

**CORRO ROOF SHEET FIXING**

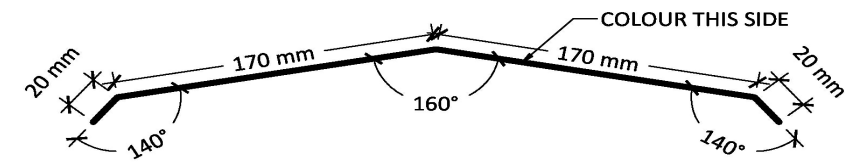


Wall Screws - 10.16 x 16 Hex

**WALL SHEETING CONNECTION DETAILS**



**WALL SHEET OVERHANG DETAIL**



10° Ridge Capping - Top Hat - Corodek

**2XF272**

Purchaser Name: Elsie Atkins

Site Address: 89 Lewis St Mudgee NSW 2850 Australia

Drawing # TMJD230018 - 8

Print Date: 18/04/23

**Connection Details**

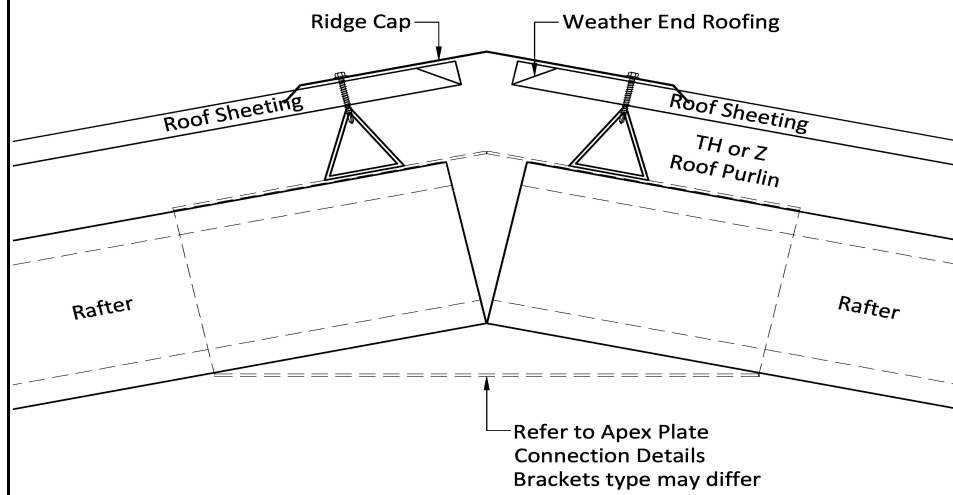
Not to Scale  
Page 4 of 6  
© Copyright Steelx IP Pty Ltd

Seller: THE Shed Company Mudgee  
S & K Lincoln Pty Ltd  
Phone: (02) 6372 7755  
Fax: (02) 6372 7700  
Email: mudgeeadmin@theshedcompany.com.au

Apex Engineering Group PTY LTD  
ACN 632 588 562  
ME Aust. (Registered NER Structural) 5276680  
QLD : RPEQ No. 24223; TAS : 185770492; VIC : PE0003848; N.T : 303557ES;  
Practising Professional Structural & Civil Engineers

Signature:

Date: 18/04/23



Ridge Cap - 2XF272

Purchaser Name: Elsie Atkins

Site Address: 89 Lewis St Mudgee NSW 2850 Australia


Drawing # TMJD230018 - 8

Print Date: 18/04/23

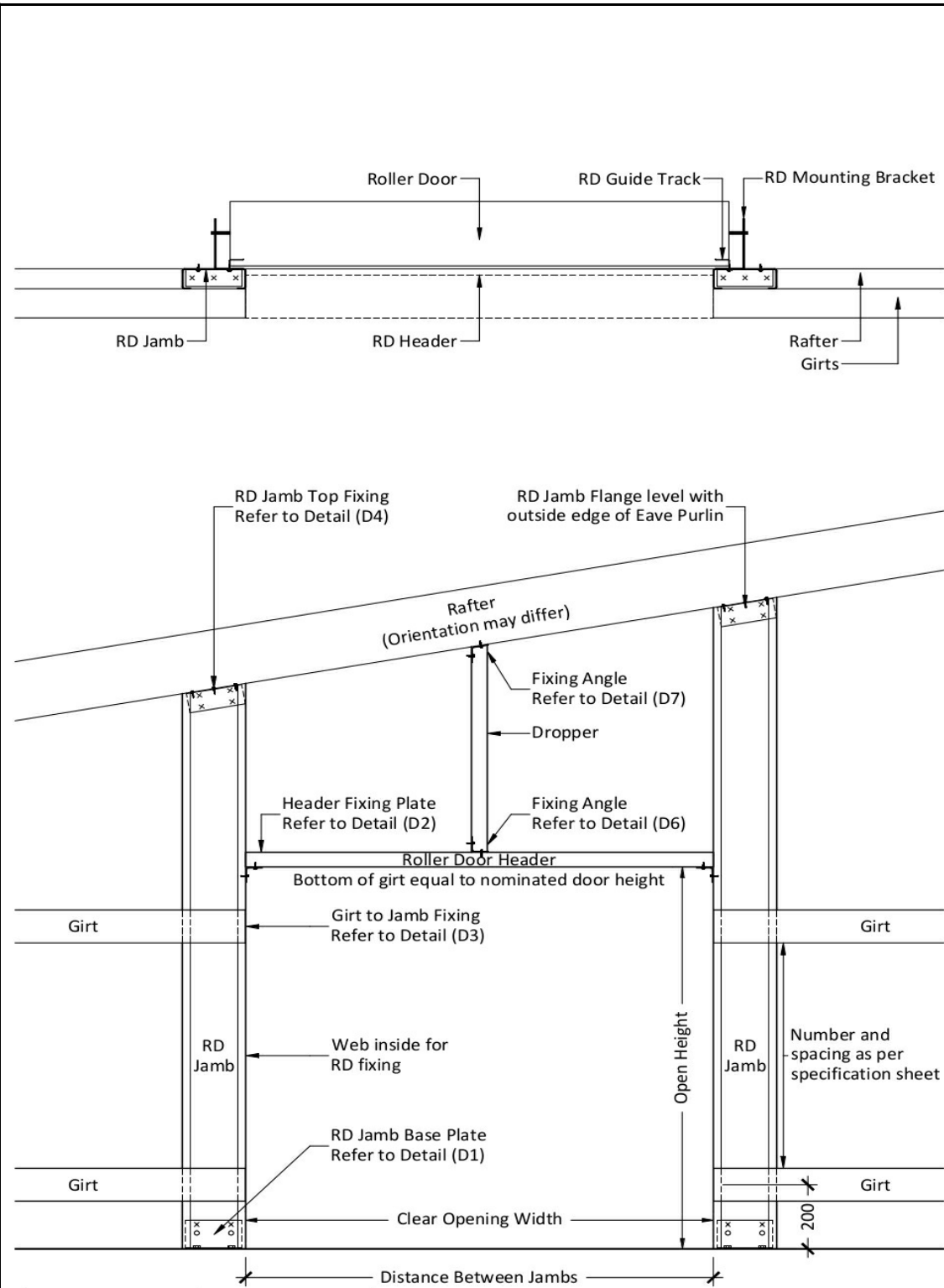
**Connection Details**  
 Not to Scale  
 Page 5 of 6  
 © Copyright Steelx IP Pty Ltd

Seller: THE Shed Company Mudgee  
 S & K Lincoln Pty Ltd  
 Phone: (02) 6372 7755  
 Fax: (02) 6372 7700  
 Email: mudgeeadmin@theshedcompany.com.au

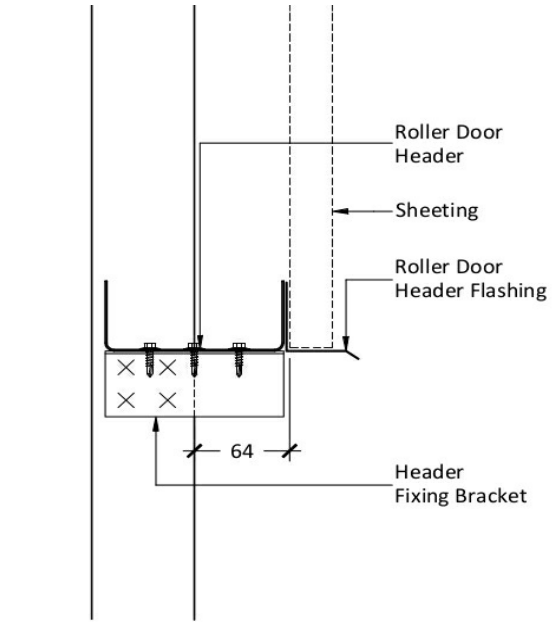
Apex Engineering Group PTY LTD  
 ACN 632 588 562  
 ME Aust. (Registered NER Structural) 5276680  
 QLD : RPEQ No. 24223; TAS : 185770492; VIC : PE0003848; N.T : 303557ES;  
 Practising Professional Structural & Civil Engineers

Signature: 

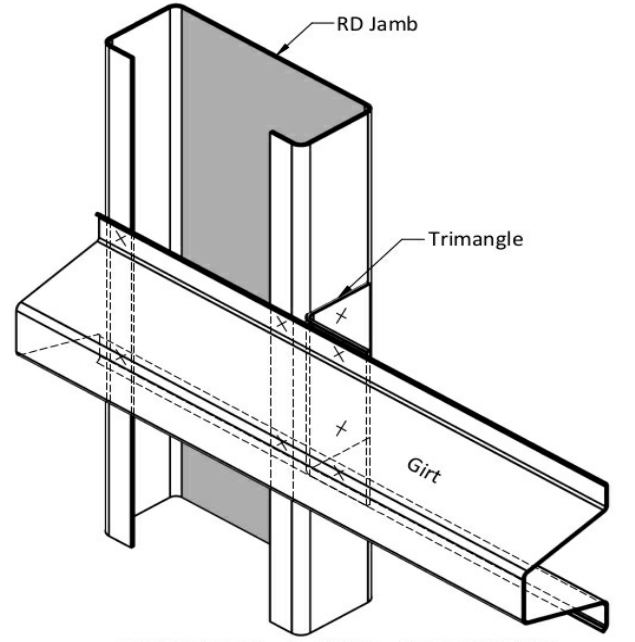
Date: 18/04/23



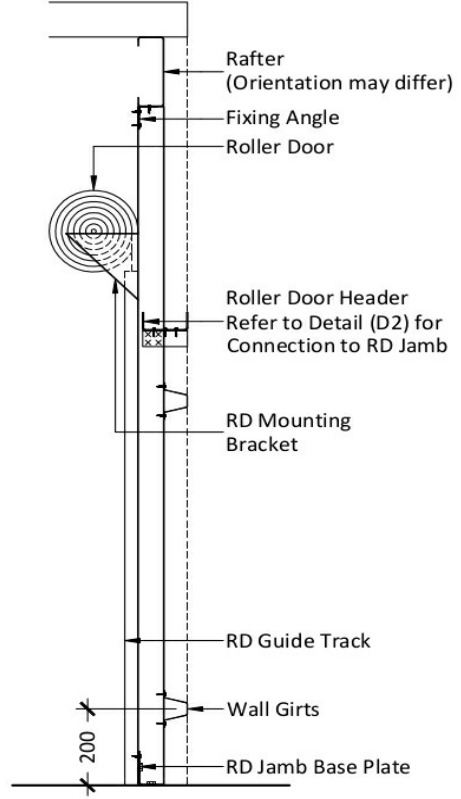
Door Width	Max Opening
≤3.1m	Door Width -50mm
>3.1m or ≤5.1m	Door Width -100mm



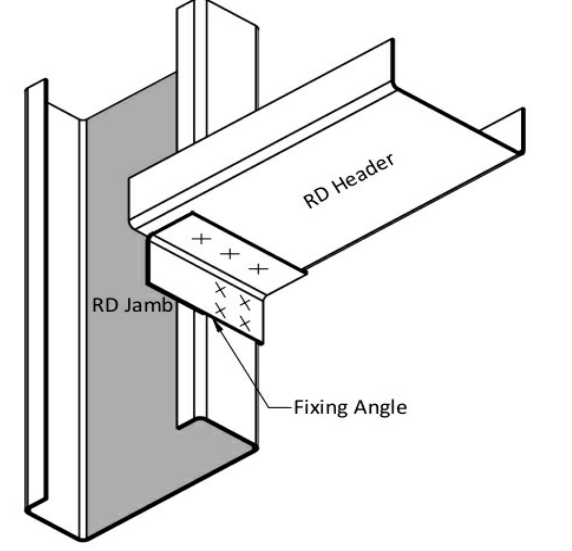
× FIXING SCREWS - 7 of 14.20 x 22  
**DETAIL (D4) - RD JAMB TOP FIXING**



× FIXING SCREWS - 4 of 14.20 x 22 TO JAMB LIPS  
 × 4 of 14.20 x 22 TO TRIMANGLE  
**DETAIL (D3) - GIRT FIXING TO RD JAMB**



○ FIXING BOLTS - 2 of M12 x 30 - FOR C150 & C200 JAMBS  
 ○ FIXING BOLTS - 2 of M16 x 30 - FOR C250 & C300 JAMBS  
 × FIXING SCREWS - 2 of 14.20 x 22  
**DETAIL (D1) - RD JAMB BASE PLATE**



× FIXING SCREWS - 7 of 14.20 x 22  
**DETAIL (D2) - RD HEADER FIXING**

Purchaser Name: Elsie Atkins  
 Site Address: 89 Lewis St Mudgee NSW 2850 Australia  
 Drawing # TMJD230018 - 8  
 Print Date: 18/04/23

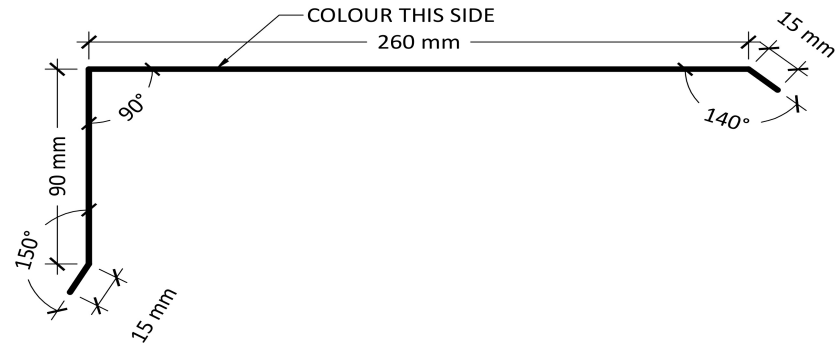
**Connection Details**  
 Not to Scale  
 Page 6 of 6  
 © Copyright Steelx IP Pty Ltd

Seller: THE Shed Company Mudgee  
 S & K Lincoln Pty Ltd  
 Phone: (02) 6372 7755  
 Fax: (02) 6372 7700  
 Email: mudgeeadmin@theshedcompany.com.au

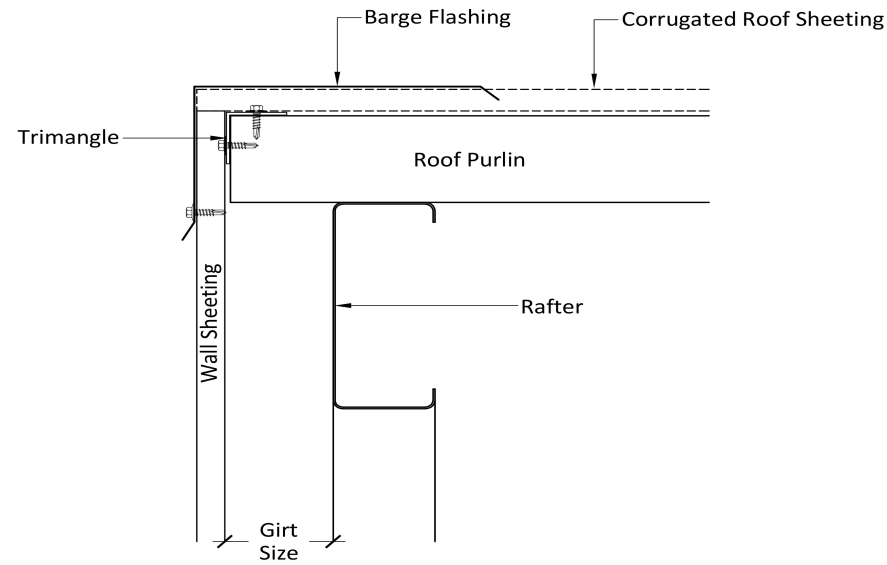
Apex Engineering Group PTY LTD  
 ACN 632 588 562  
 ME Aust. (Registered NER Structural) 5276680  
 QLD: RPEQ No. 24223; TAS: 185770492; VIC: PE0003848; N.T.: 303557ES;  
 Practising Professional Structural & Civil Engineers

Signature: \_\_\_\_\_  
 Date: 18/04/23

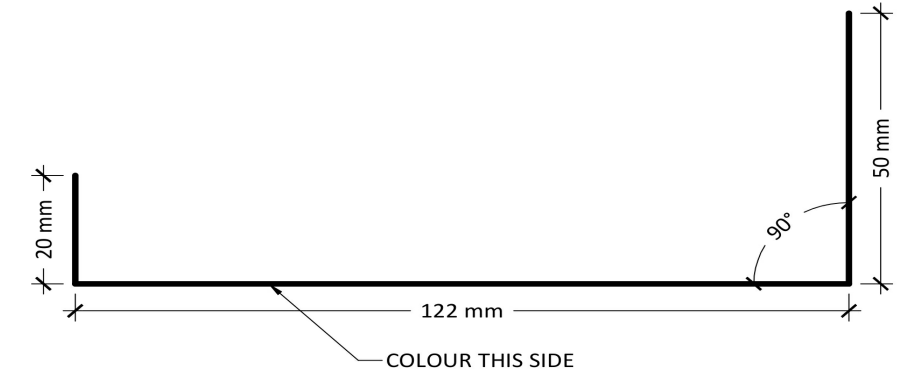




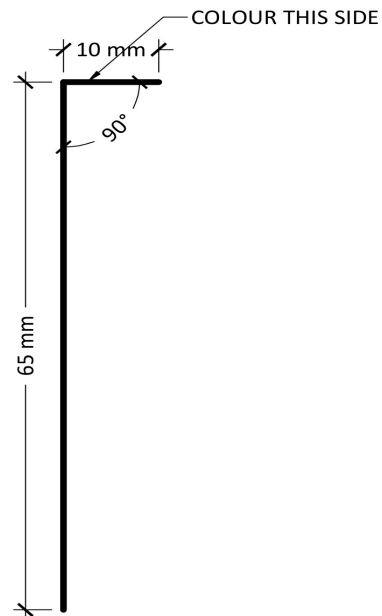
Barge Capping - Corodek  
XF10



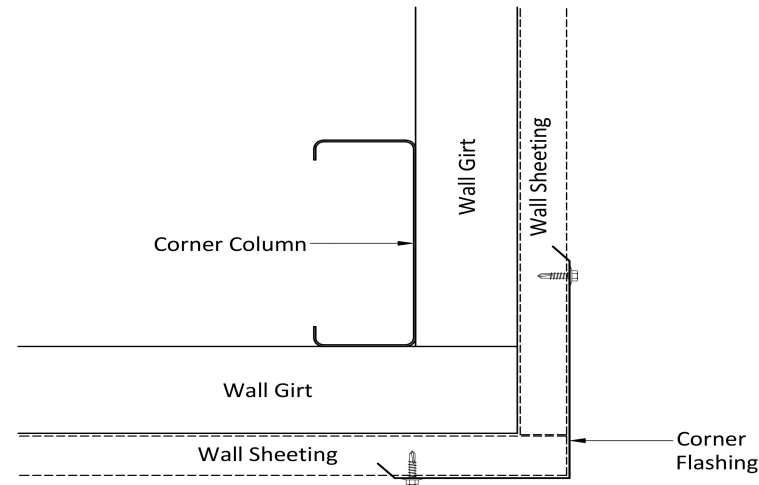
Barge Flashing XF10 - Sheeting Gable



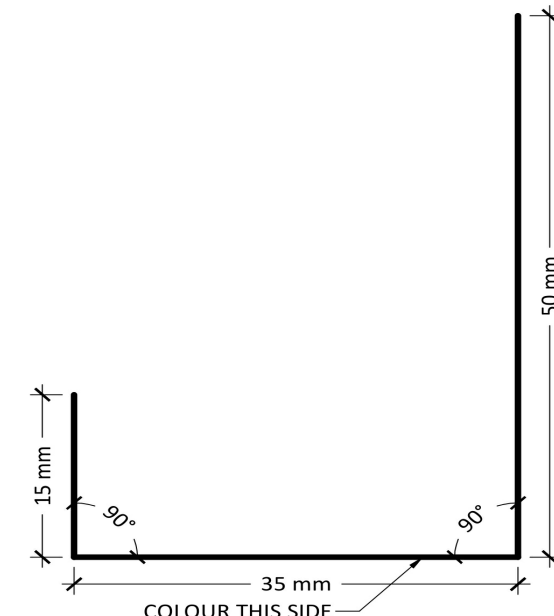
RD Head Cover Flashing  
XF116



RD Side - Cover Flash  
XF18



Corner Flashing XF21 - CT



PA Door - RD Header Flashing  
XF24

Purchaser Name: Elsie Atkins

Site Address: 89 Lewis St Mudgee NSW 2850 Australia

Drawing # TMJD230018 - 9

Print Date: 18/04/23

**Flashing Fixing Details**

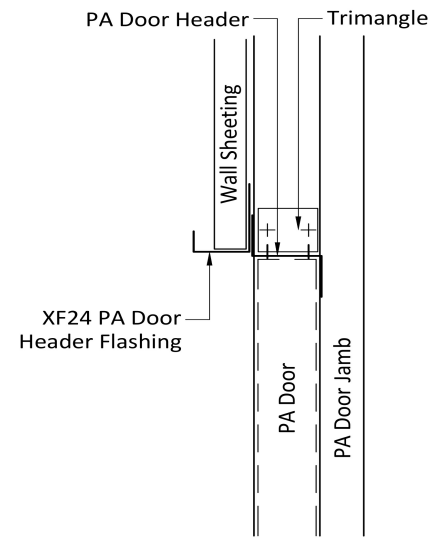
Not to Scale  
Page 1 of 2  
© Copyright SteelxIP Pty Ltd

Seller: THE Shed Company Mudgee  
S & K Lincoln Pty Ltd  
Phone: (02) 6372 7755  
Fax: (02) 6372 7700  
Email: mudgeeadmin@theshedcompany.com.au

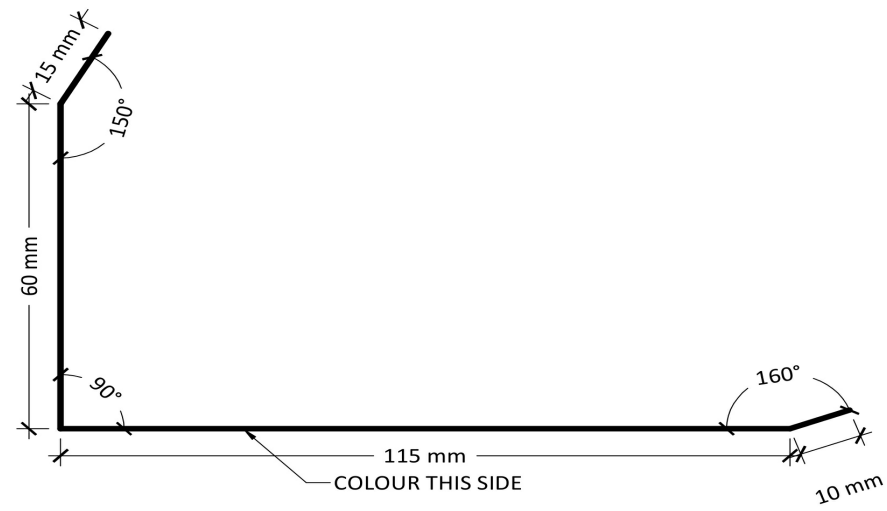
Apex Engineering Group PTY LTD  
ACN 632 588 562  
ME Aust. (Registered NER Structural) 5276680  
QLD : RPEQ No. 24223; TAS : 185770492; VIC : PE0003848; N.T. : 303557ES;  
Practising Professional Structural & Civil Engineers

Signature:

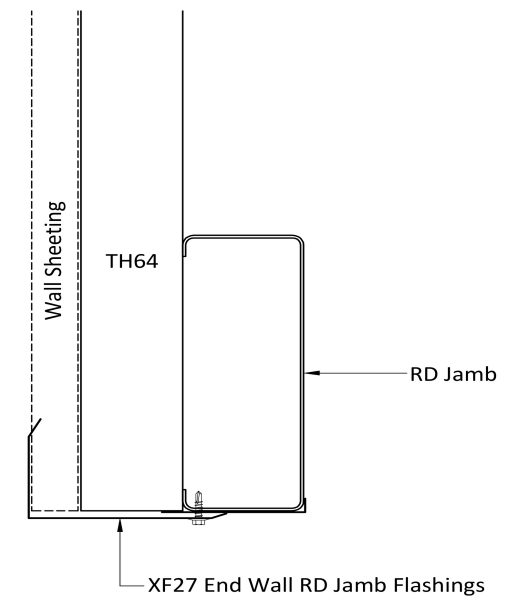
Date: 18/04/23



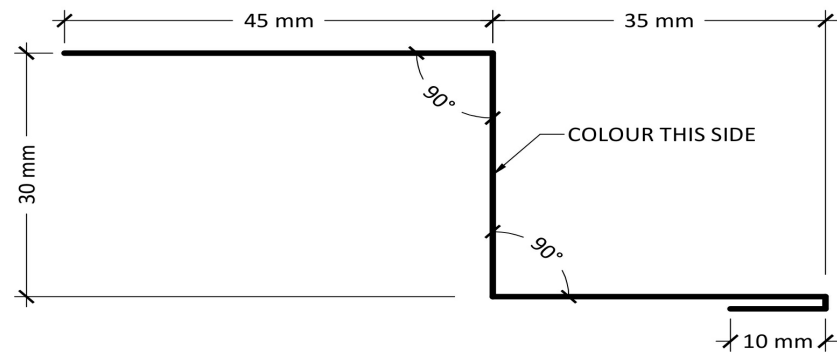
PA Door Header Flashing - XF24



Roller Door Side Flashing - End Walls  
XF27



End Wall RD Jamb Flashing XF27/18



Vermin Flashing  
XF69

Purchaser Name: Elsie Atkins

Site Address: 89 Lewis St Mudgee NSW 2850 Australia

Drawing # TMJD230018 - 9

Print Date: 18/04/23

**Flashing Fixing Details**

Not to Scale  
Page 2 of 2  
© Copyright Steelx IP Pty Ltd

Seller: THE Shed Company Mudgee  
S & K Lincoln Pty Ltd  
Phone: (02) 6372 7755  
Fax: (02) 6372 7700  
Email: mudgeeadmin@theshedcompany.com.au

Apex Engineering Group PTY LTD  
ACN 632 588 562  
ME Aust. (Registered NER Structural) 5276680  
QLD : RPEQ No. 24223; TAS : 185770492; VIC : PE0003848; N.T : 303557ES;  
Practising Professional Structural & Civil Engineers

Signature:

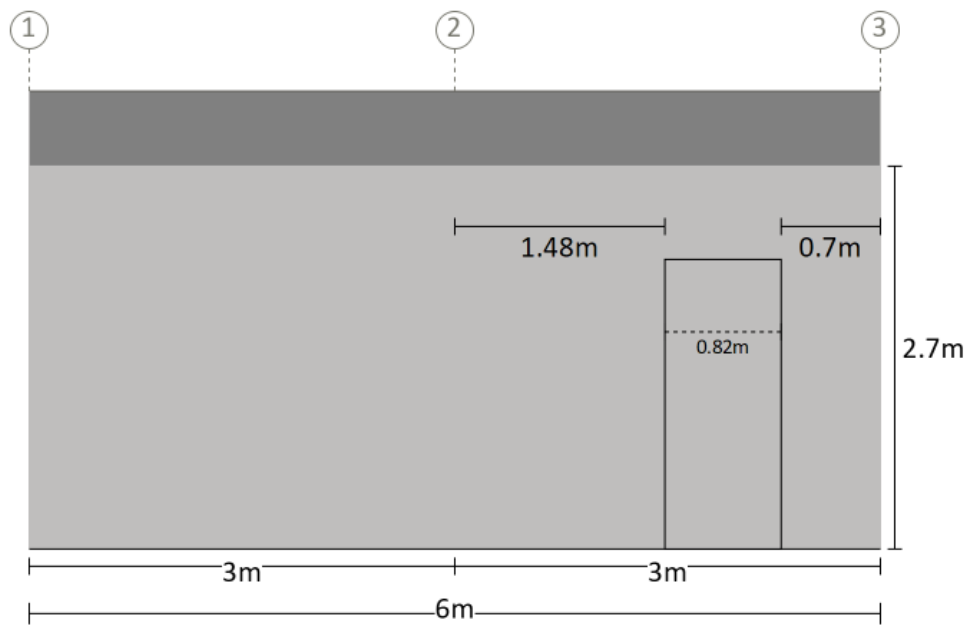


Date: 18/04/23



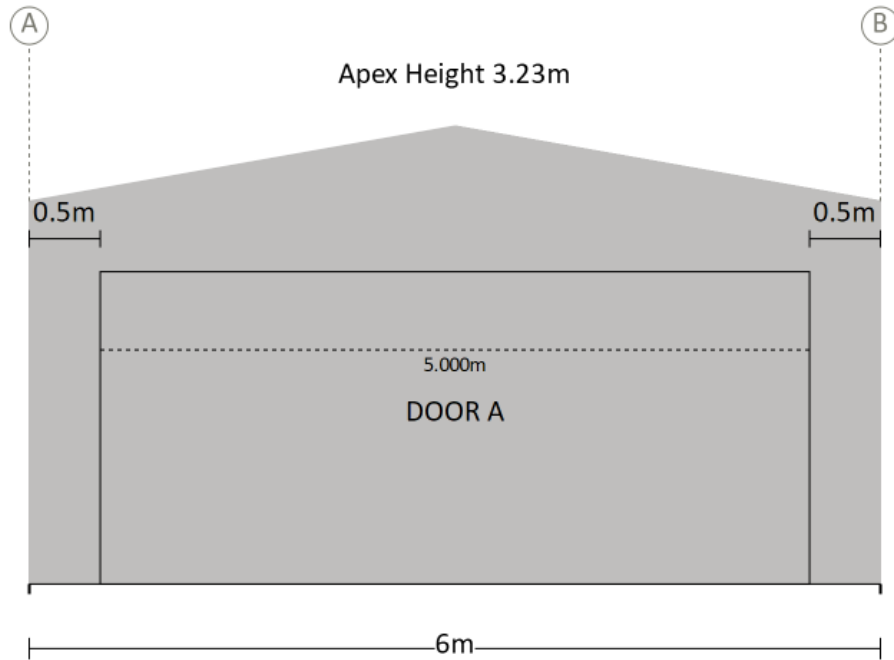
This setout is provided as a guide only. It is the responsibility of the concreter/erector to confirm that all dimensions are correct.

### Left Side



Measurements are from the outside of end girts (end bays) and/or centre of columns (mid bays) to inside of component opening size.

### Left End



Purchaser Name: Elsie Atkins

Site Address: 89 Lewis St Mudgee NSW 2850 Australia

Drawing # TMJD230018 - 10

Print Date: 18/04/23

#### Component Position

Not to Scale  
Page 1 of 2  
© Copyright Steelx IP Pty Ltd

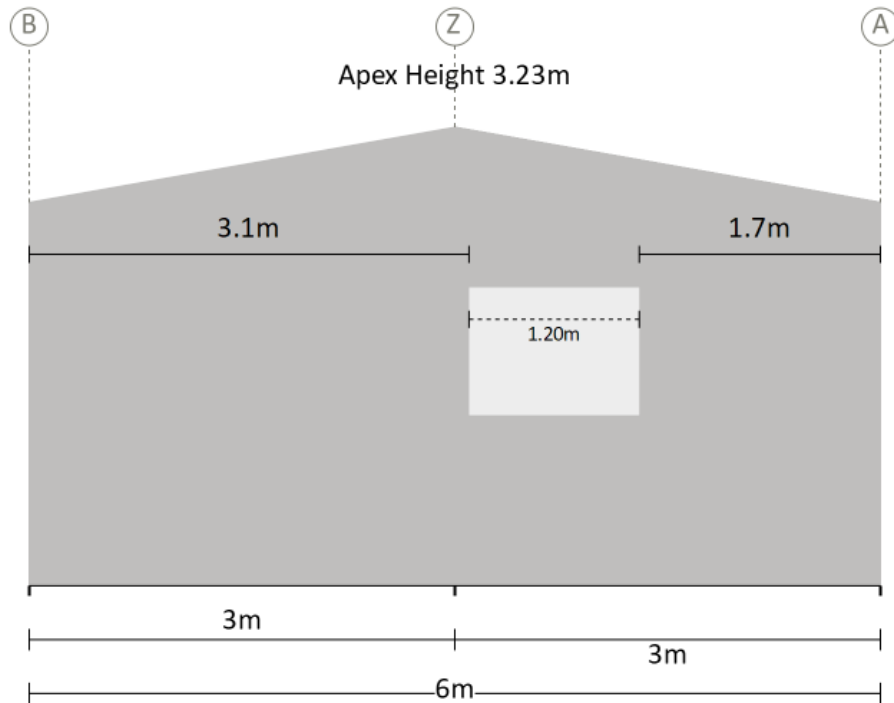
Seller: THE Shed Company Mudgee  
S & K Lincoln Pty Ltd  
Phone: (02) 6372 7755  
Fax: (02) 6372 7700  
Email: mudgeeadmin@theshedcompany.com.au

Apex Engineering Group PTY LTD  
ACN 632 588 562  
ME Aust. (Registered NER Structural) 5276680  
QLD : RPEQ No. 24223; TAS : 185770492; VIC : PE0003848; N.T : 303557ES;  
Practising Professional Structural & Civil Engineers

Signature: 

Date: 18/04/23

Right End



Measurements are from the outside of side girts to the inside of component opening size.

Purchaser Name: Elsie Atkins

Site Address: 89 Lewis St Mudgee NSW 2850 Australia

Drawing # TMJD230018 - 10

Print Date: 18/04/23

**Component Position**

Not to Scale  
Page 2 of 2  
© Copyright Steelx IP Pty Ltd

Seller: THE Shed Company Mudgee  
S & K Lincoln Pty Ltd  
Phone: (02) 6372 7755  
Fax: (02) 6372 7700  
Email: mudgeeadmin@theshedcompany.com.au

Apex Engineering Group PTY.LTD  
ACN 632 588 562  
ME Aust. (Registered NER Structural) 5276680  
QLD : RPEQ No. 24223; TAS : 185770492; VIC : PE0003848; N.T : 303557ES;  
Practising Professional Structural & Civil Engineers

Signature:

[Redacted Signature]

Date: 18/04/23