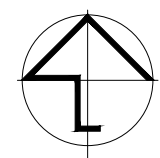


Giselle Denley
Drafting Services
giselle.denley@bigpond.com
0417 688 326
53 Hill Sixty Drive
Mudgee NSW 2850

REV	DATE	BY	DESCRIPTION
H	MAR 2023	G.D.	FRONT SETBACK REVISED TO 3.0m
G	OCT 2022	G.D.	PARKING REVISED
F	AUG 2022	G.D.	BUILDING RE DESIGN TO SUIT HERITAGE REQUIREMENTS
E	JUNE 2022	G.D.	CARPARK REVISED
D	JUNE 2022	G.D.	ROOF LINE REVISED
C	JUNE 2022	G.D.	DISABLED ACCESS MARKED ON PLAN, SW ADDED
B	MAY 2022	G.D.	ACCESSIBLE PARKING REVISED, EXIT PATH ADDED
A	JAN 2022	G.D.	ISSUED FOR DA APPROVAL

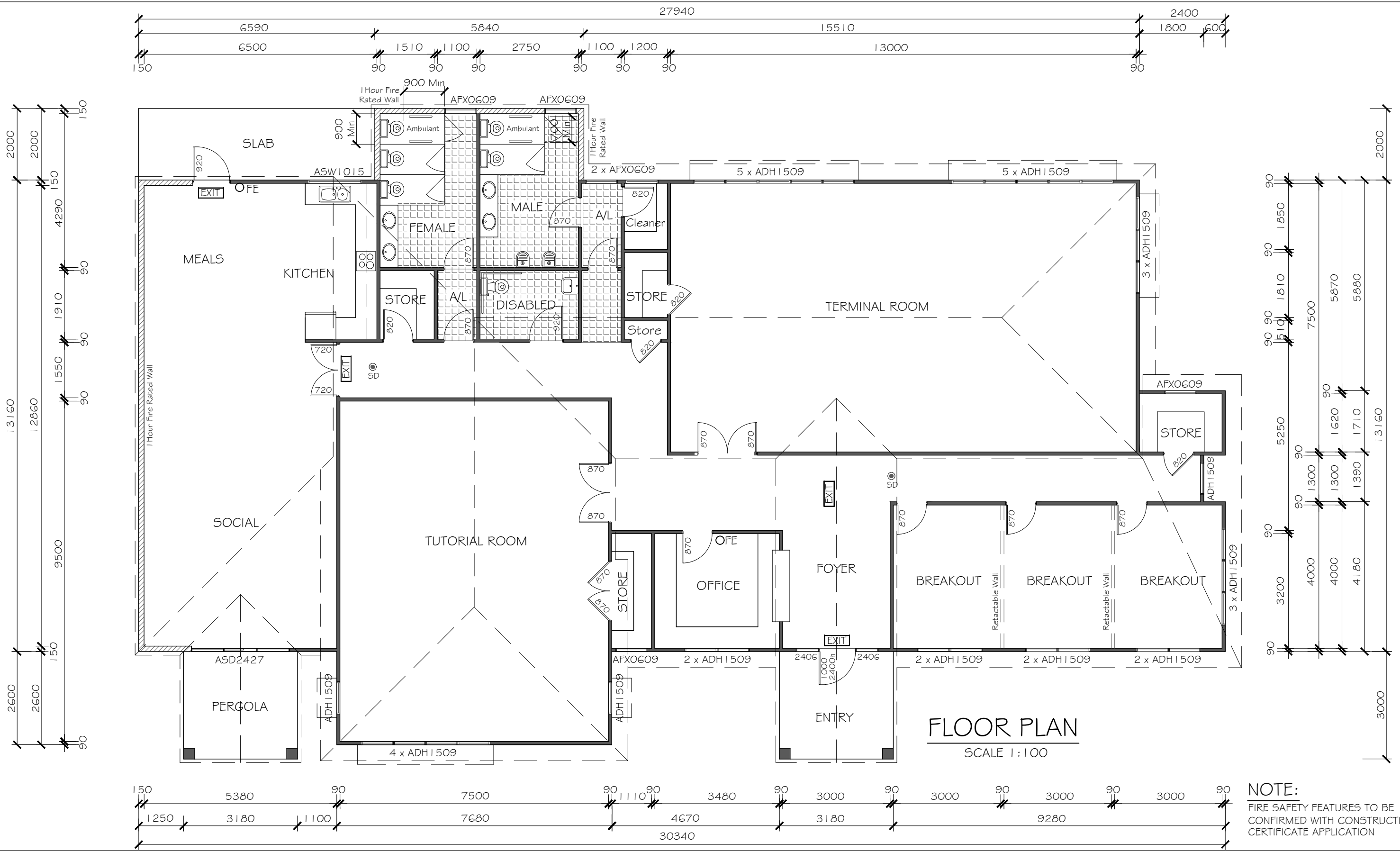
LOT 1
DP 739918

SITE PLAN
SCALE 1:400



MID WESTERN REGIONAL COUNCIL
PROPOSED COUNTRY UNIVERSITIES CENTRE
70 COURT STREET MUDGEE

SCALE: 1:200	FILE: 3750-A01	DWG No.	REV.
DRAWN: G.D.	DATE: JAN 2022	3750-A01	H
CKD: D.N.	DATE: JAN 2022		



FLOOR PLAN
SCALE 1:100

NOTE:
FIRE SAFETY FEATURES TO BE
CONFIRMED WITH CONSTRUCTION
CERTIFICATE APPLICATION

Giselle Denley
Drafting Services

giselle.denley@bigpond.com
0417 688 326
53 Hill Sixty Drive
Mudgee NSW 2850

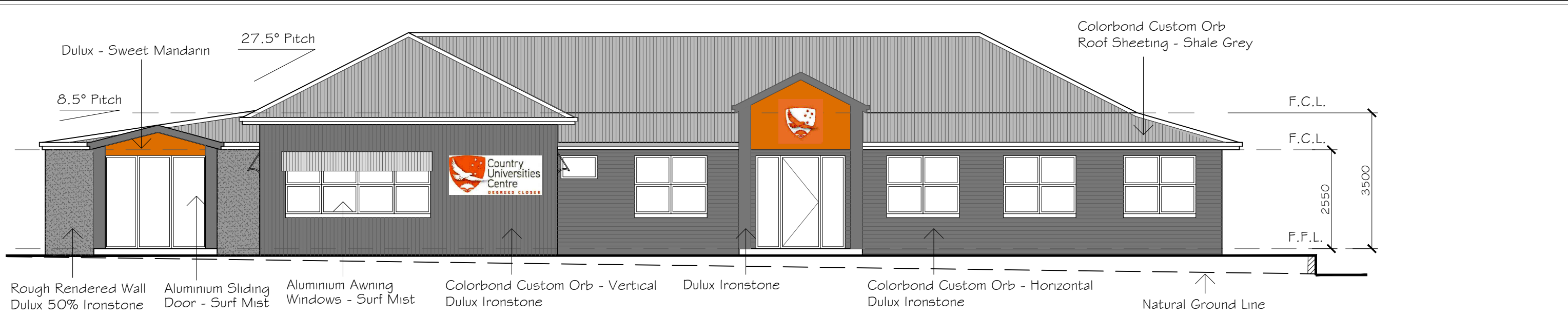
REV	DATE	BY	DESCRIPTION
G	MAR 2023	G.D.	FIRE WALL ADDED TO AMENITIES
F	JAN 2023	G.D.	AMBULANT FACILITIES ADDED
E	AUG 2022	G.D.	BUILDING RE DESIGN TO SUIT HERITAGE REQUIREMENTS
D	JUNE 2022	G.D.	PERGOLA ADDED AND WINDOWS REVISED
C	JUNE 2022	G.D.	ROOF STYLE REVISED, FEMALE AMENITIES INCREASED
B	JUNE 2022	G.D.	CONCEPT FIRE SAFETY ADDED
A	JAN 2022	G.D.	ISSUED FOR DA APPROVAL

Floor Areas	
Education Building	= 415.97 m ²
Front Entry Porch	= 9.54 m ²
Rear Porch	= 14.00 m ²
Pergola	= 9.54 m ²
Total	= 449.05 m²

MID WESTERN REGIONAL COUNCIL

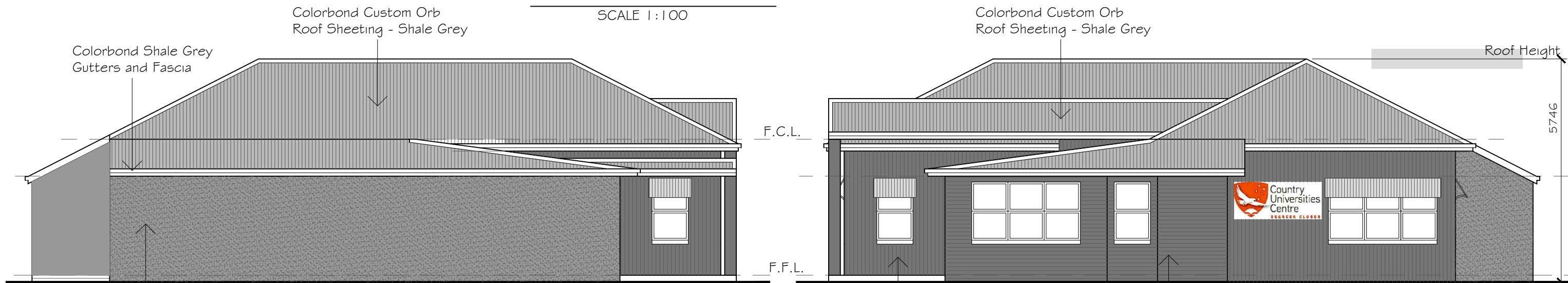
PROPOSED COUNTRY UNIVERSITIES CENTRE
70 COURT STREET MUDGEES

SCALE: 1:100	FILE: 3750-A01	DWG No.	REV.
DRAWN: G.D.	DATE: JAN 2022	3750-A02	G
CKD: D.N.	DATE: JAN 2022		



SOUTH ELEVATION

SCALE 1:100

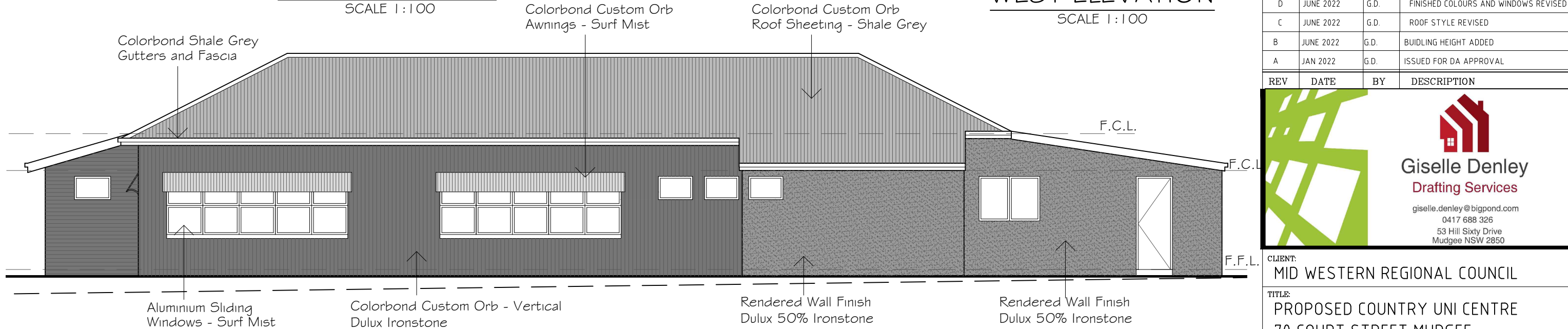


EAST ELEVATION

SCALE 1:100

WEST ELEVATION

SCALE 1:100



NORTH ELEVATION

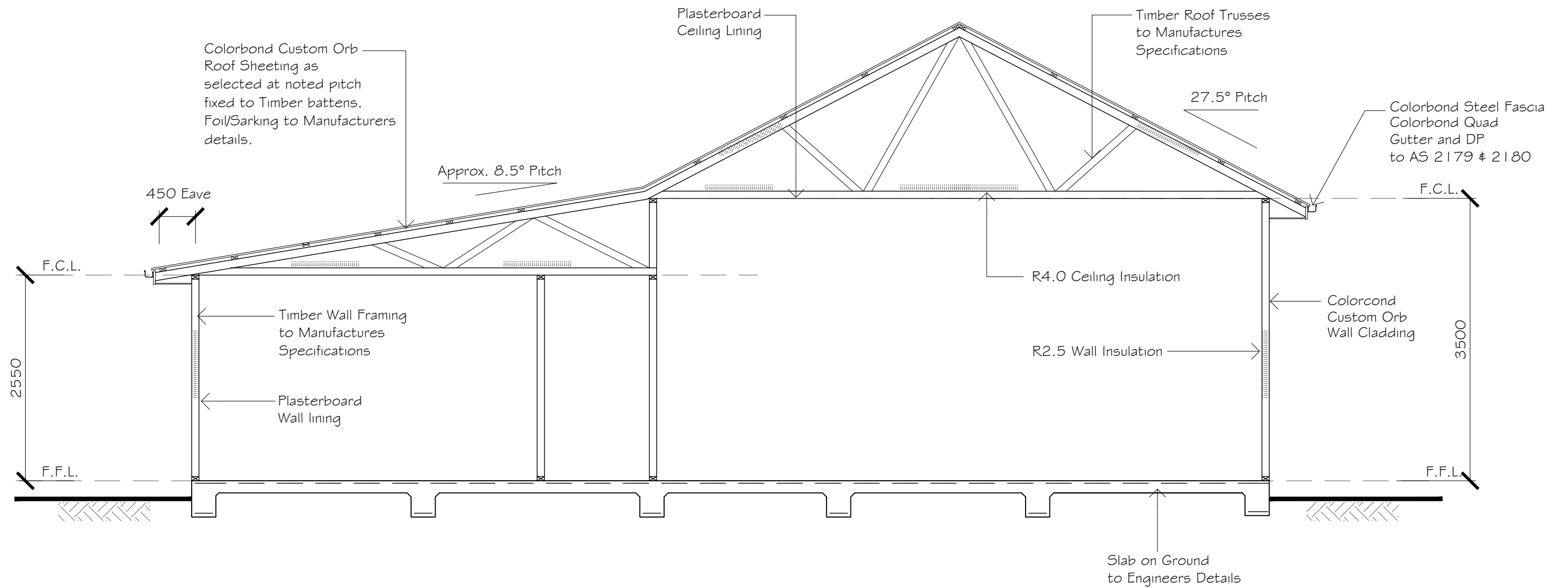
SCALE 1:100

REV	DATE	BY	DESCRIPTION
F	MAR 2023	G.D.	ALL MOCHA WALLS CHANGED TO IRONSTONE
E	AUG 2022	G.D.	RE DESIGN TO SUIT HERITAGE REQUIREMENTS
D	JUNE 2022	G.D.	FINISHED COLOURS AND WINDOWS REVISED
C	JUNE 2022	G.D.	ROOF STYLE REVISED
B	JUNE 2022	G.D.	BUILDING HEIGHT ADDED
A	JAN 2022	G.D.	ISSUED FOR DA APPROVAL

Giselle Denley
Drafting Services

giselle.denley@bigpond.com
0417 688 326
53 Hill Sixty Drive
Mudgee NSW 2850

CLIENT: MID WESTERN REGIONAL COUNCIL			
TITLE: PROPOSED COUNTRY UNI CENTRE 70 COURT STREET MUDGEE			
SCALE: 1:100	FILE: 3750-A012	DWG No.	REV.
DRAWN: G.D.	DATE: JAN 2022	3750-A03	F
CKD: D.N.	DATE: JAN 2022		



TYPICAL SECTION

SCALE 1:50

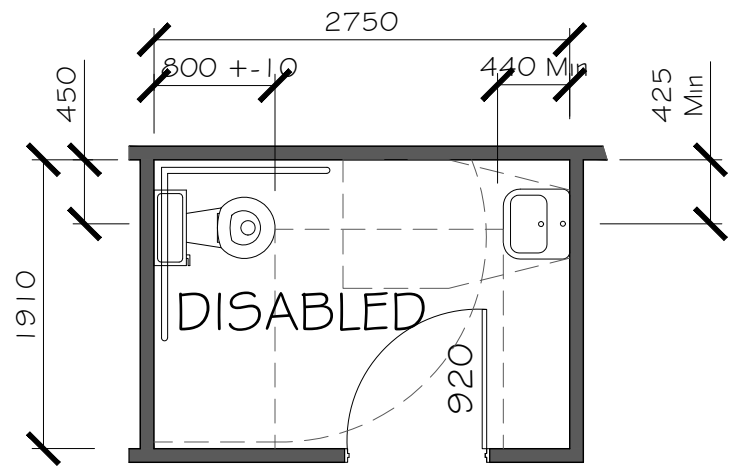
Giselle Denley
Drafting Services
giselle.denley@bigpond.com
0417 688 326
53 Hill Sixty Drive
Mudgee NSW 2850

REV	DATE	BY	DESCRIPTION
D	AUG 2022	G.D.	RE DESIGN TO SUIT HERITAGE REQUIREMENTS
C	JUNE 2022	G.D.	ROOF STYLE REVISED BACK TO SKILLION
B	JUNE 2022	G.D.	ROOF STRUCTURE CHANGED TO HIP AND GABLE
A	JAN 2022	G.D.	ISSUED FOR DA APPROVAL

MID WESTERN REGIONAL COUNCIL

PROPOSED COUNTRY UNIVERSITIES CENTRE
70 COURT STREET MUDGEE

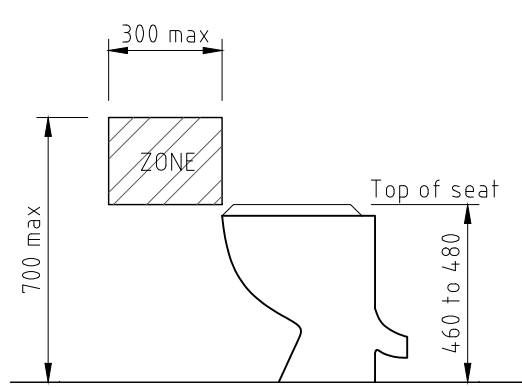
SCALE: 1:50	FILE: 3750-A01	DWG No.	REV.
DRAWN: G.D.	DATE: JAN 2022	3750-A04	D
CKD: D.N.	DATE: JAN 2022		



DISABLED AMENITIES FLOOR PLAN

SCALE 1:50

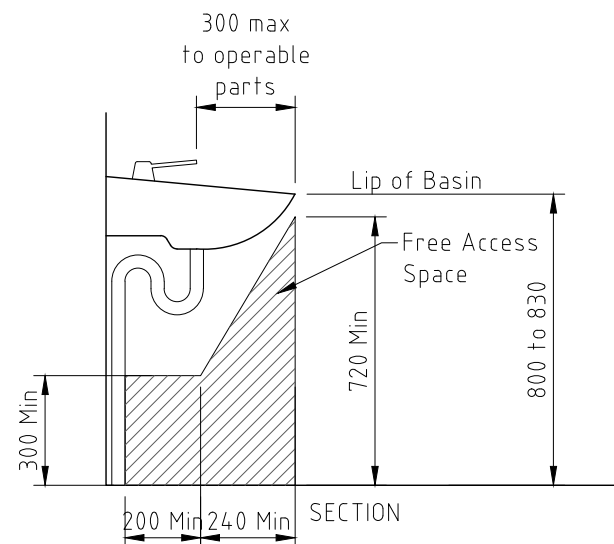
to AS1428.1.2009



SIDE VIEW

TOILET PAPER OUTLET

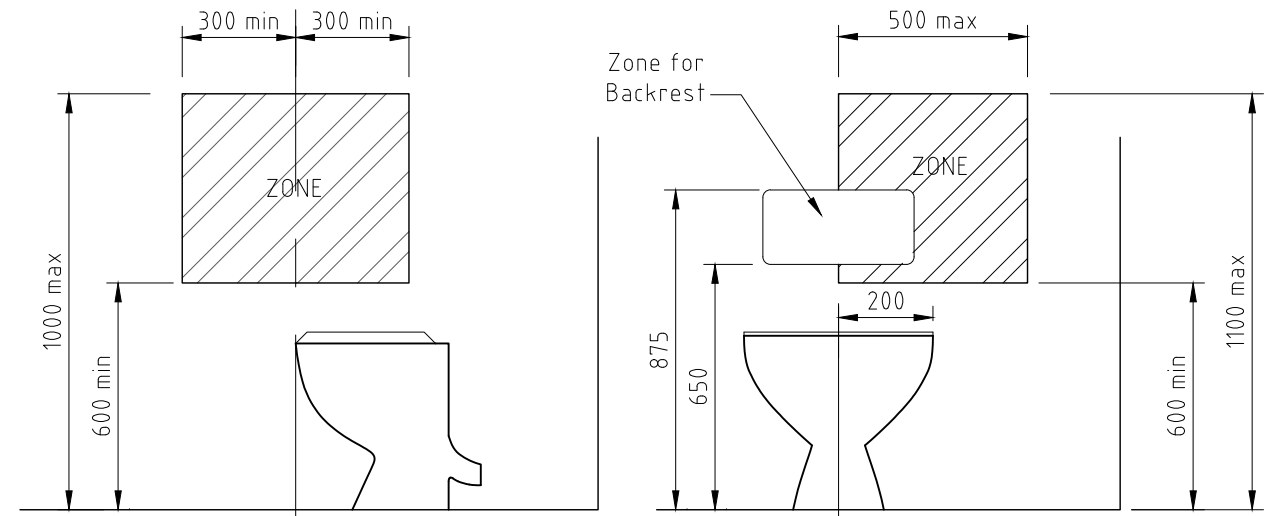
SCALE 1:20



SECTION

WASHBASIN OBSTRUCTION LIMIT

SCALE 1:20

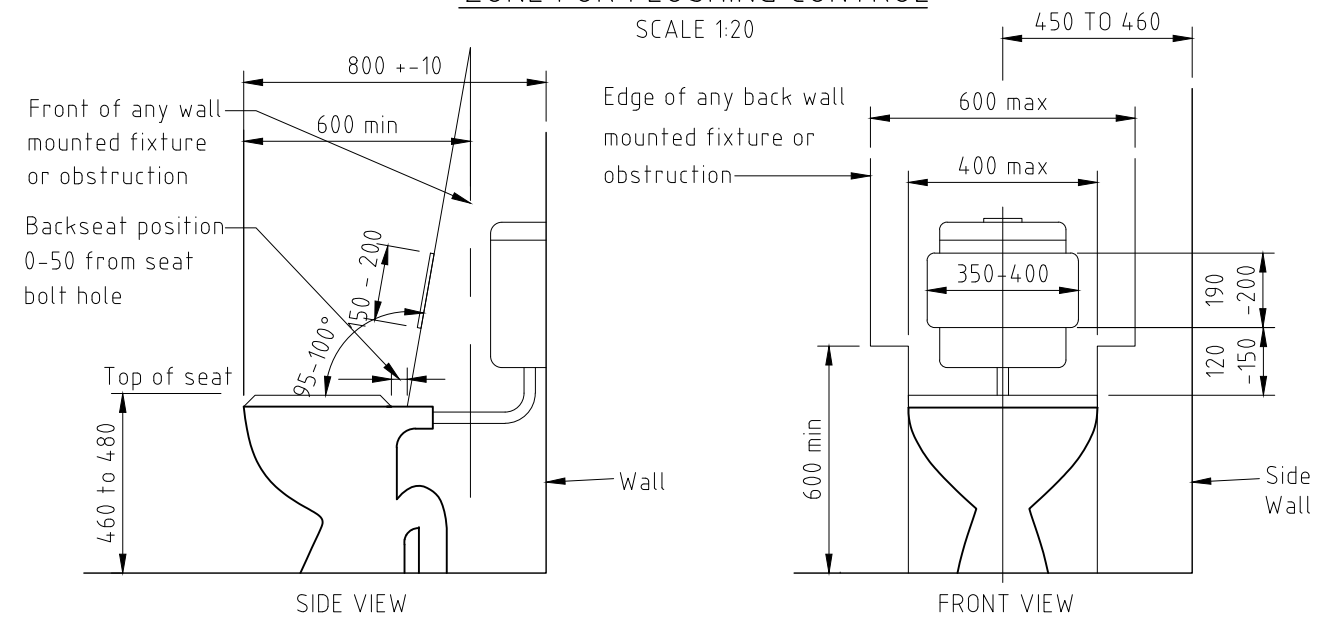


SIDE WALL

BACK WALL

ZONE FOR FLUSHING CONTROL

SCALE 1:20

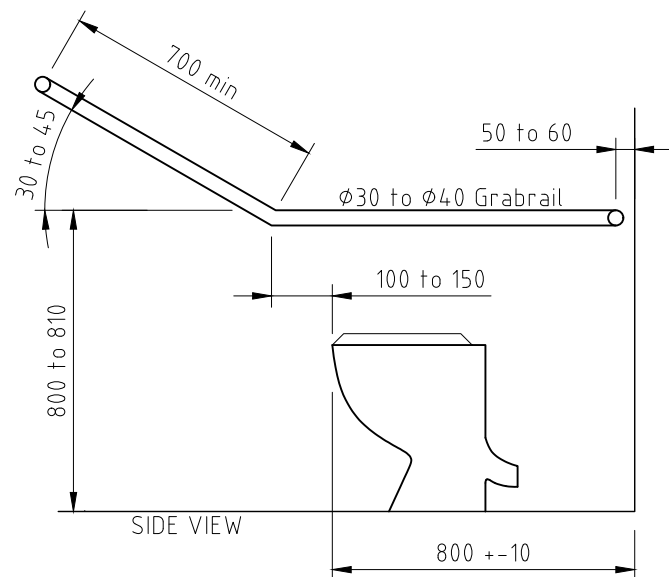


SIDE VIEW

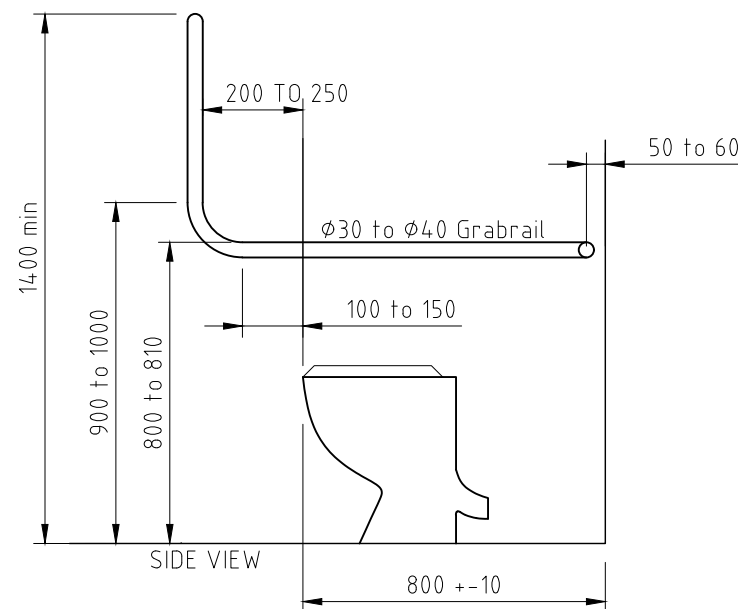
FRONT VIEW

WATER CLOSET PAN CLEARANCES, SEAT HEIGHT & SEAT WIDTH

SCALE 1:20



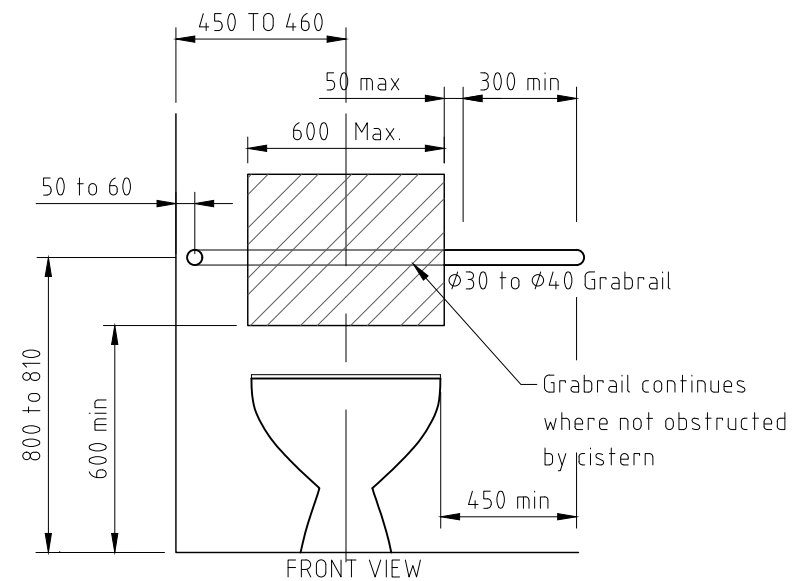
SIDE VIEW



SIDE VIEW

POSITIONS OF GRABRAILS IN WATER CLOSETS

SCALE 1:20



FRONT VIEW

A	MAR 2023	G.D.	ISSUED FOR APPROVAL
---	----------	------	---------------------

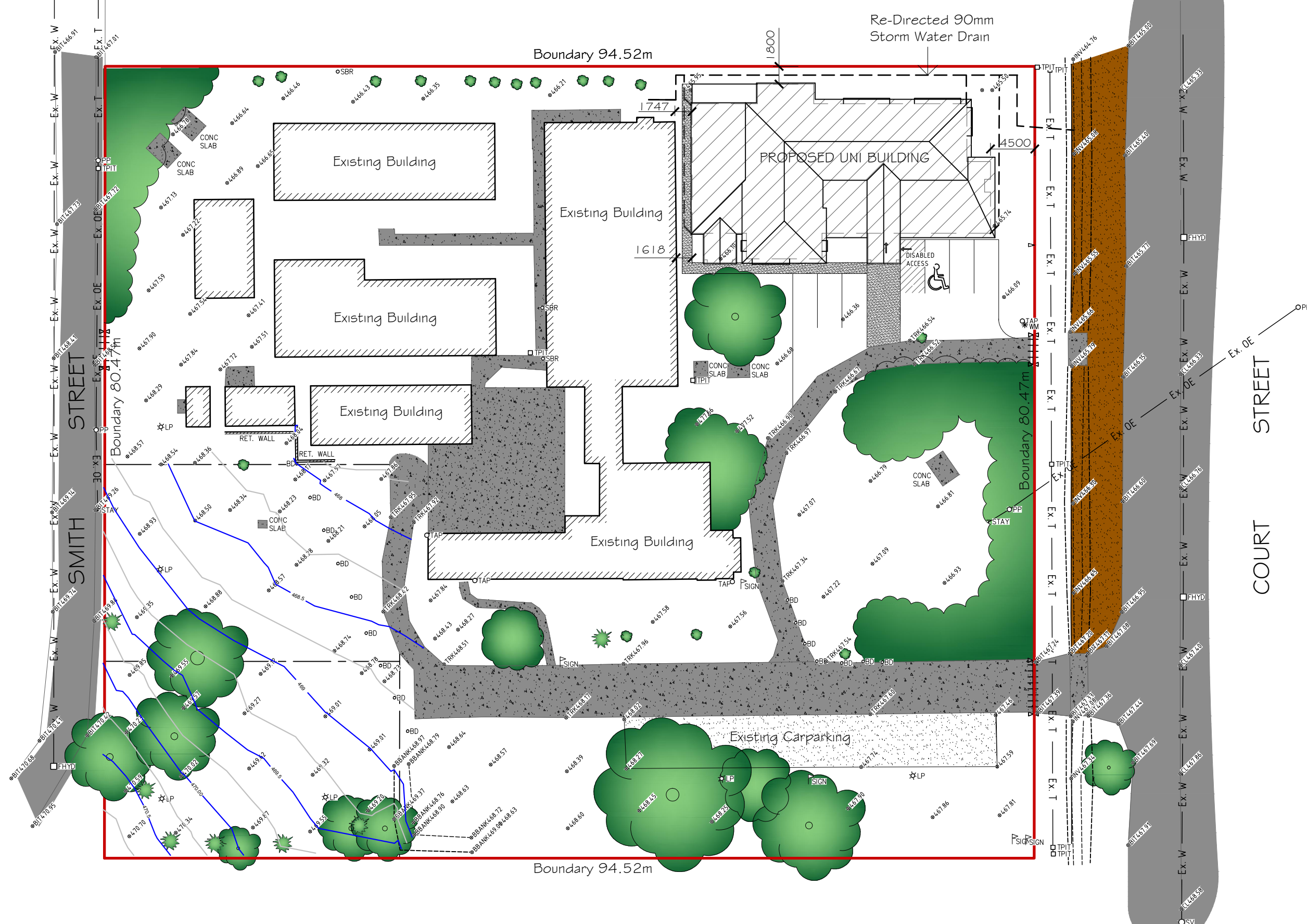
REV	DATE	BY	DESCRIPTION
-----	------	----	-------------

Giselle Denley
Drafting Services
giselle.denley@bigpond.com
0417 688 326
53 Hill Sixty Drive
Mudgee NSW 2850

CLIENT:
MID-WESTERN REGIONAL COUNCIL

TITLE:
PROPOSED COUNTRY UNIVERSITIES CENTRE
70 COURT STREET MUDGEE

SCALE: 1:50, 1:20	FILE: 3750-A01	DWG No.	REV.
DRAWN: G.D.	DATE: MAR 2023	3750-A05	A
CKD: D.N.	DATE: MAR 2023		

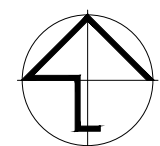



Giselle Denley
 Drafting Services
 giselle.denley@bigpond.com
 0417 688 326
 53 Hill Sixty Drive
 Mudgee NSW 2850

REV	DATE	BY	DESCRIPTION
G	OCT 2022	G.D.	PARKING REVISED
F	AUG 2022	G.D.	BUILDING RE DESIGN TO SUIT HERITAGE REQUIREMENTS
E	JUNE 2022	G.D.	CARPARK REVISED
D	JUNE 2022	G.D.	ROOF LINE REVISED
C	JUNE 2022	G.D.	DISABLED ACCESS MARKED ON PLAN, SW ADDED
B	MAY 2022	G.D.	ACCESSIBLE PARKING REVISED, EXIT PATH ADDED
A	JAN 2022	G.D.	ISSUED FOR DA APPROVAL

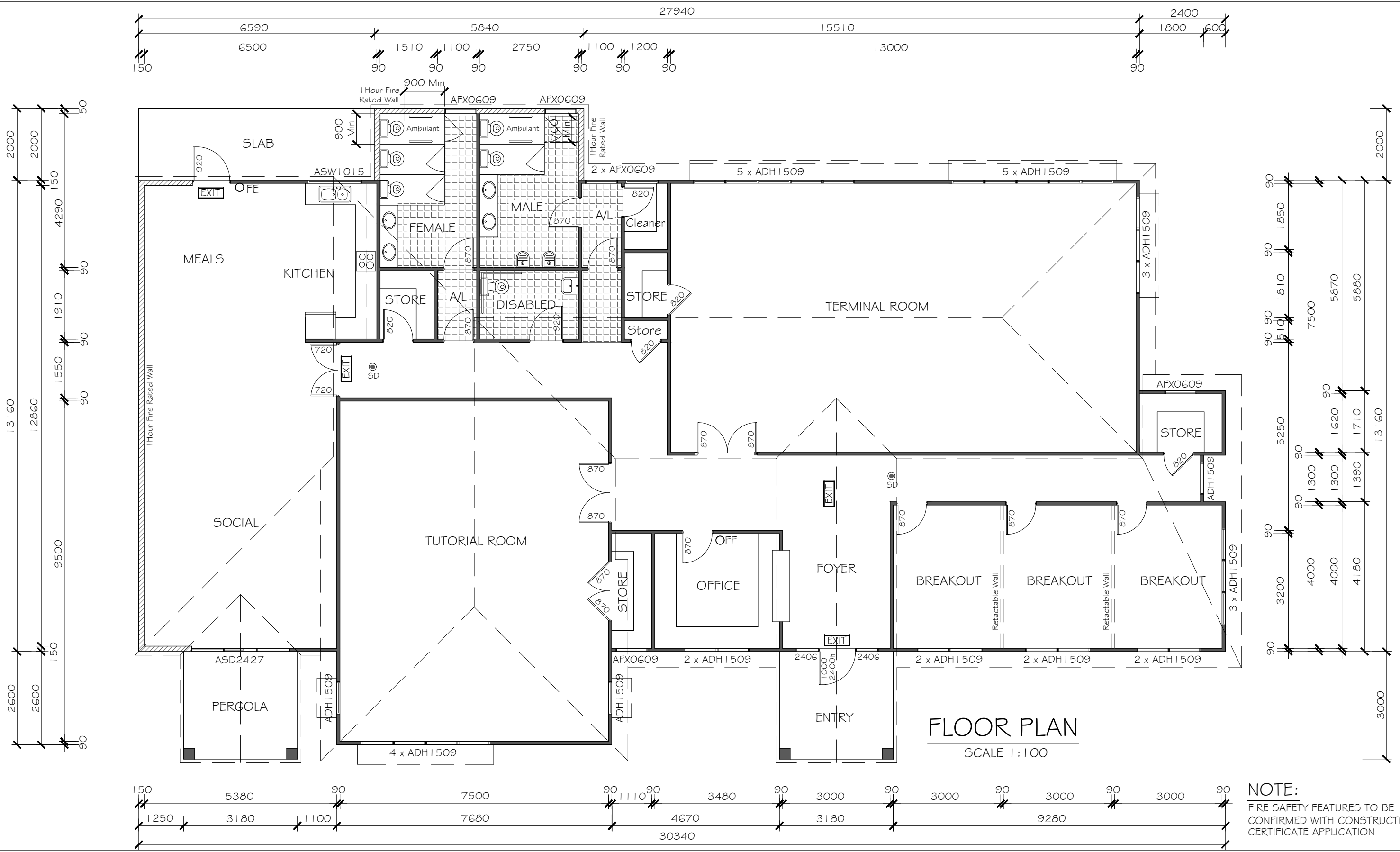
LOT 1
 DP 739918

SITE PLAN
 SCALE 1:400



MID WESTERN REGIONAL COUNCIL
 PROPOSED COUNTRY UNIVERSITIES CENTRE
 70 COURT STREET MUDGEES

SCALE: 1:200	FILE: 3750-A01	DWG No.	REV.
DRAWN: G.D.	DATE: JAN 2022	3750-A01	G
CKD: D.N.	DATE: JAN 2022		



NOTE:
FIRE SAFETY FEATURES TO BE CONFIRMED WITH CONSTRUCTION CERTIFICATE APPLICATION

Giselle Denley
Drafting Services

giselle.denley@bigpond.com
0417 688 326
53 Hill Sixty Drive
Mudgee NSW 2850

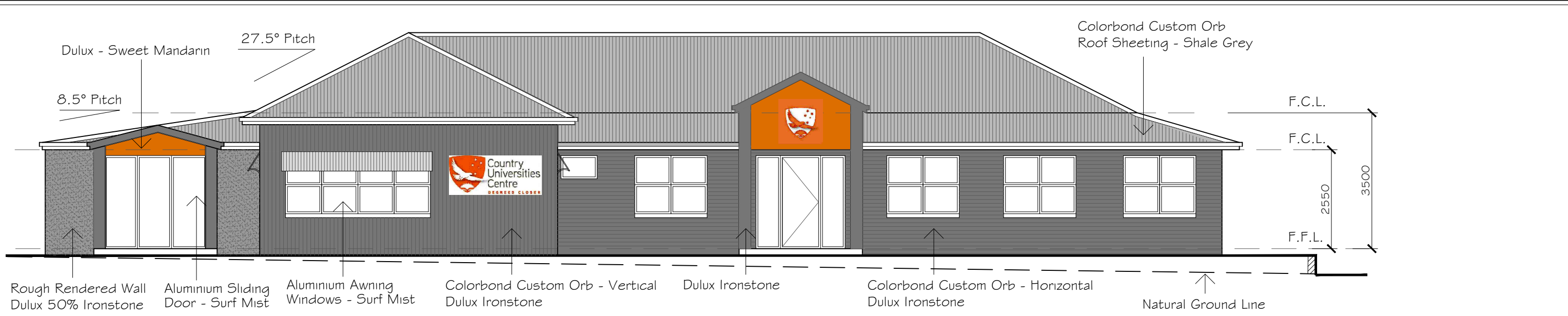
REV	DATE	BY	DESCRIPTION
G	MAR 2023	G.D.	FIRE WALL ADDED TO AMENITIES
F	JAN 2023	G.D.	AMBULANT FACILITIES ADDED
E	AUG 2022	G.D.	BUILDING RE DESIGN TO SUIT HERITAGE REQUIREMENTS
D	JUNE 2022	G.D.	PERGOLA ADDED AND WINDOWS REVISED
C	JUNE 2022	G.D.	ROOF STYLE REVISED, FEMALE AMENITIES INCREASED
B	JUNE 2022	G.D.	CONCEPT FIRE SAFETY ADDED
A	JAN 2022	G.D.	ISSUED FOR DA APPROVAL

Floor Areas	
Education Building	= 415.97 m ²
Front Entry Porch	= 9.54 m ²
Rear Porch	= 14.00 m ²
Pergola	= 9.54 m ²
Total	= 449.05 m²

MID WESTERN REGIONAL COUNCIL

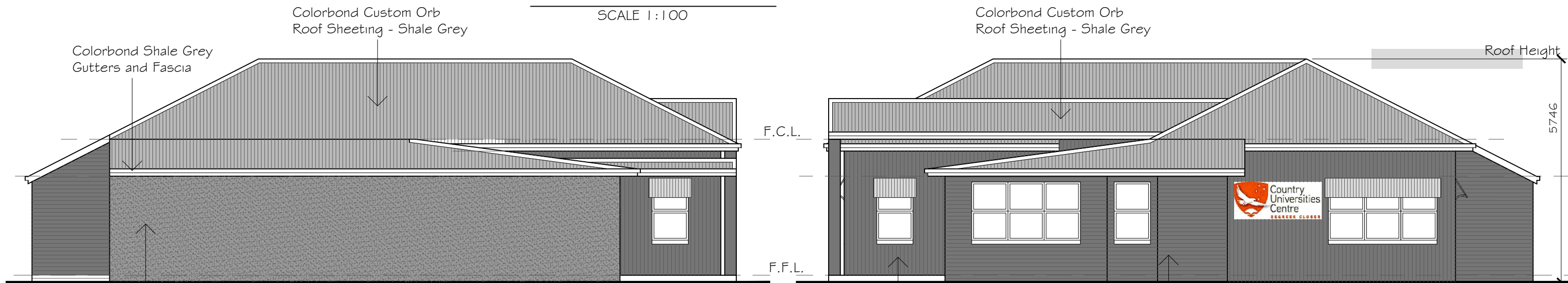
PROPOSED COUNTRY UNIVERSITIES CENTRE
70 COURT STREET MUDGEES

SCALE: 1:100	FILE: 3750-A01	DWG No.	REV.
DRAWN: G.D.	DATE: JAN 2022	3750-A02	G
CKD: D.N.	DATE: JAN 2022		



SOUTH ELEVATION

SCALE 1:100

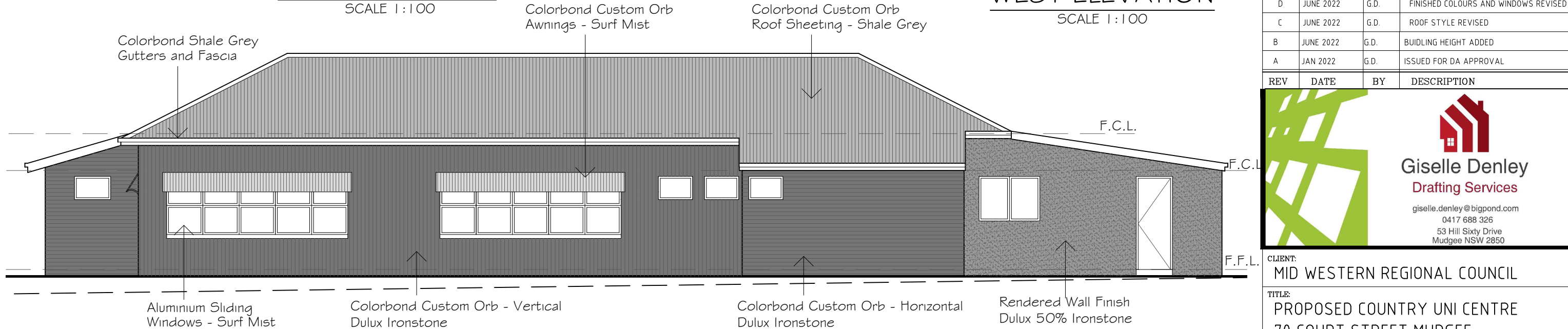


EAST ELEVATION

SCALE 1:100

WEST ELEVATION

SCALE 1:100



NORTH ELEVATION

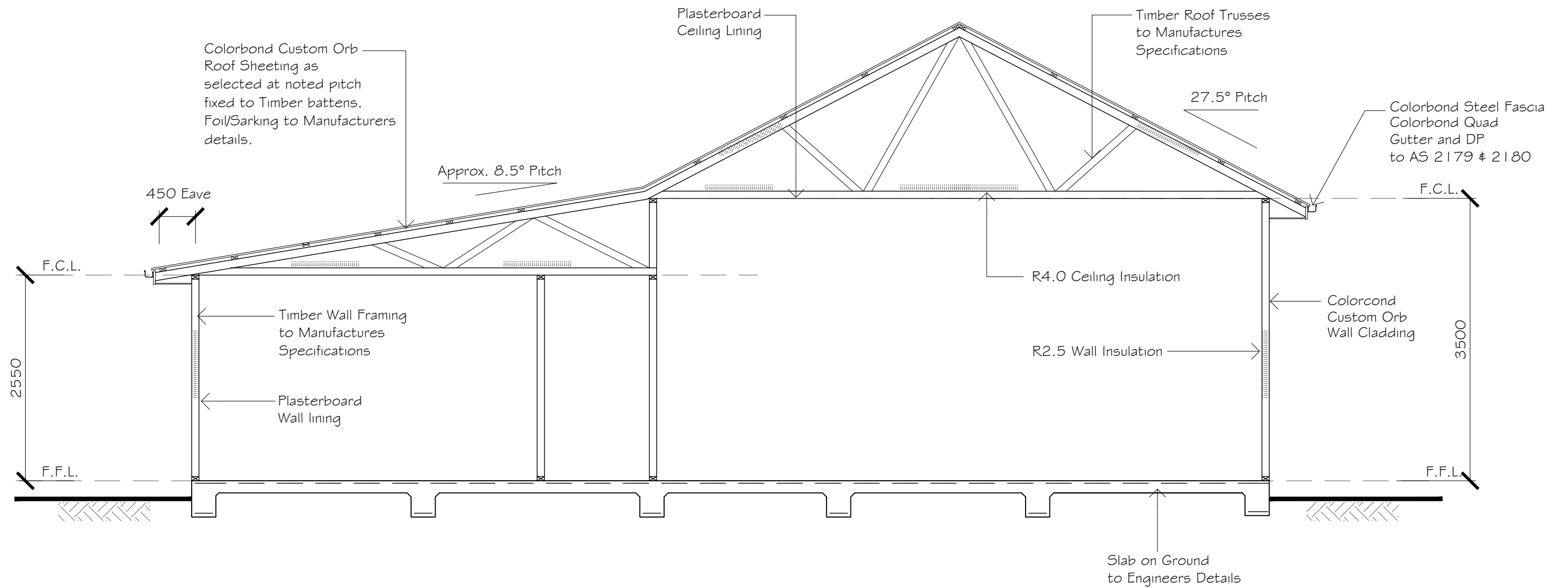
SCALE 1:100

REV	DATE	BY	DESCRIPTION
F	MAR 2023	G.D.	ALL MOCHA WALLS CHANGED TO IRONSTONE
E	AUG 2022	G.D.	RE DESIGN TO SUIT HERITAGE REQUIREMENTS
D	JUNE 2022	G.D.	FINISHED COLOURS AND WINDOWS REVISED
C	JUNE 2022	G.D.	ROOF STYLE REVISED
B	JUNE 2022	G.D.	BUILDING HEIGHT ADDED
A	JAN 2022	G.D.	ISSUED FOR DA APPROVAL

Giselle Denley
Drafting Services

giselle.denley@bigpond.com
0417 688 326
53 Hill Sixty Drive
Mudgee NSW 2850

CLIENT: MID WESTERN REGIONAL COUNCIL			
TITLE: PROPOSED COUNTRY UNI CENTRE 70 COURT STREET MUDGEE			
SCALE: 1:100	FILE: 3750-A012	DWG No.	REV.
DRAWN: G.D.	DATE: JAN 2022	3750-A03	F
CKD: D.N.	DATE: JAN 2022		



TYPICAL SECTION

SCALE 1:50

Giselle Denley
Drafting Services

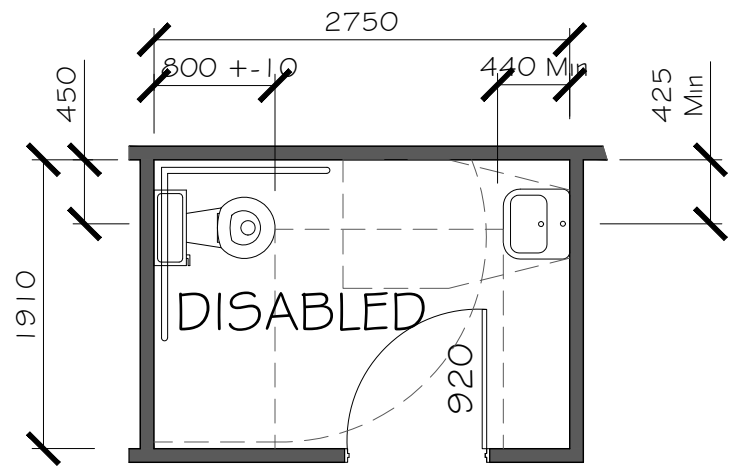
giselle.denley@bigpond.com
0417 688 326
53 Hill Sixty Drive
Mudgee NSW 2850

REV	DATE	BY	DESCRIPTION
D	AUG 2022	G.D.	RE DESIGN TO SUIT HERITAGE REQUIREMENTS
C	JUNE 2022	G.D.	ROOF STYLE REVISED BACK TO SKILLION
B	JUNE 2022	G.D.	ROOF STRUCTURE CHANGED TO HIP AND GABLE
A	JAN 2022	G.D.	ISSUED FOR DA APPROVAL

MID WESTERN REGIONAL COUNCIL

PROPOSED COUNTRY UNIVERSITIES CENTRE
70 COURT STREET MUDGEE

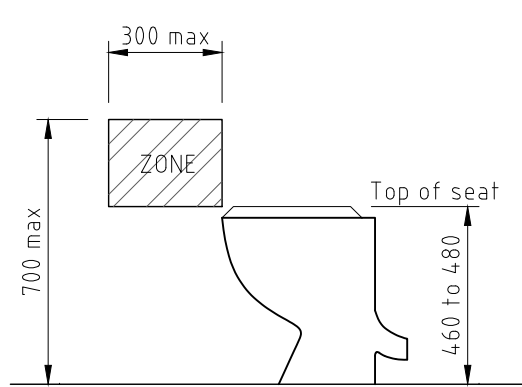
SCALE: 1:50	FILE: 3750-A01	DWG No.	REV.
DRAWN: G.D.	DATE: JAN 2022	3750-A04	D
CKD: D.N.	DATE: JAN 2022		



DISABLED AMENITIES FLOOR PLAN

SCALE 1:50

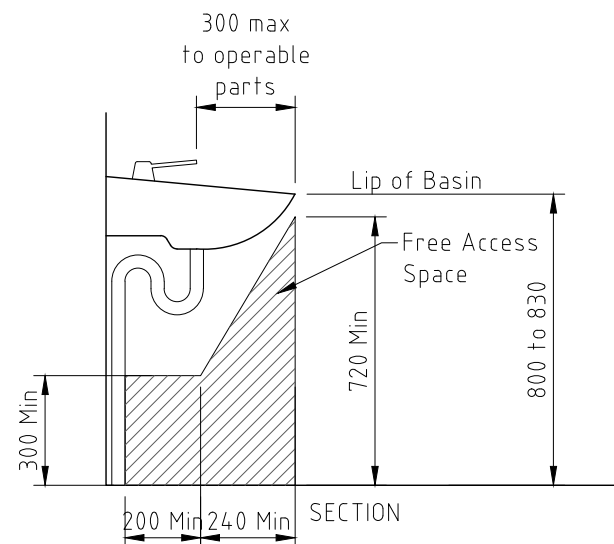
to AS1428.1.2009



SIDE VIEW

TOILET PAPER OUTLET

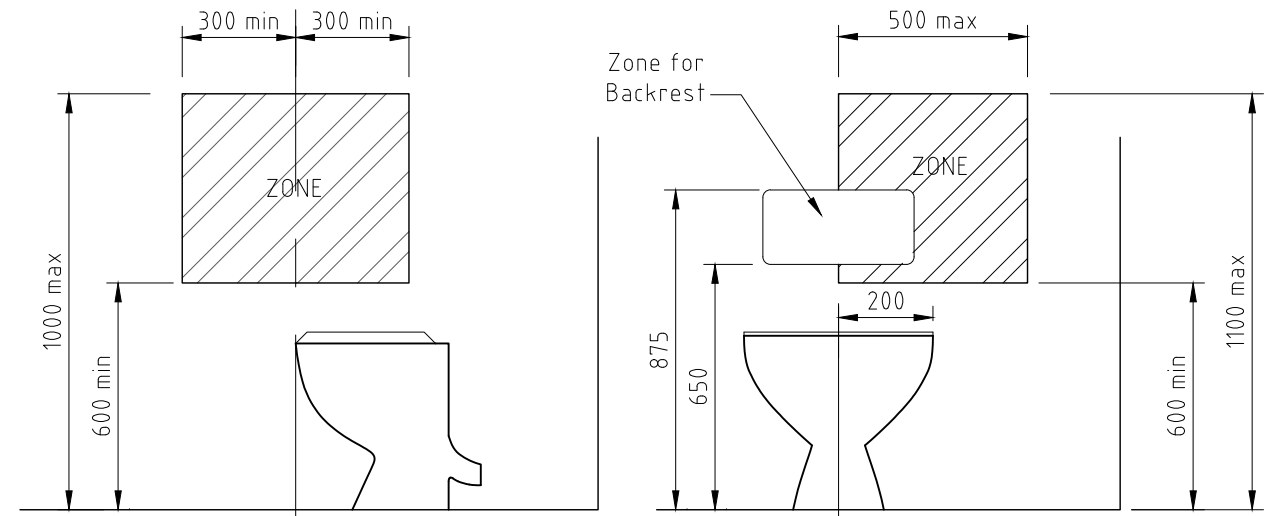
SCALE 1:20



SECTION

WASHBASIN OBSTRUCTION LIMIT

SCALE 1:20

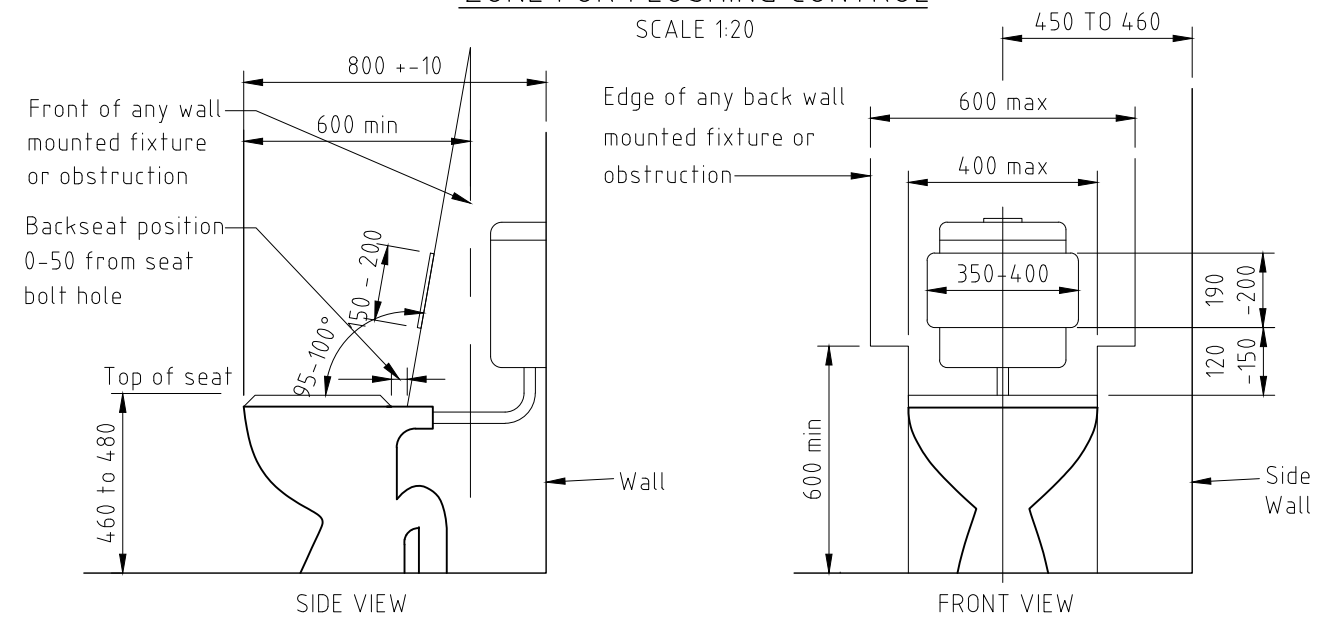


SIDE WALL

BACK WALL

ZONE FOR FLUSHING CONTROL

SCALE 1:20

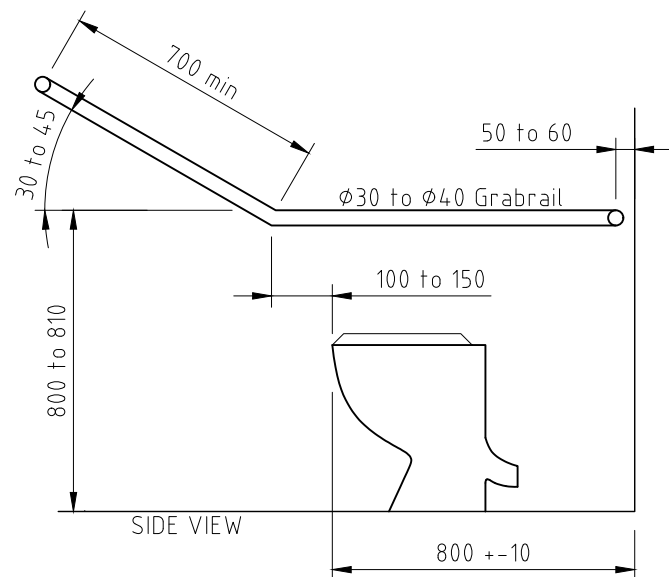


SIDE VIEW

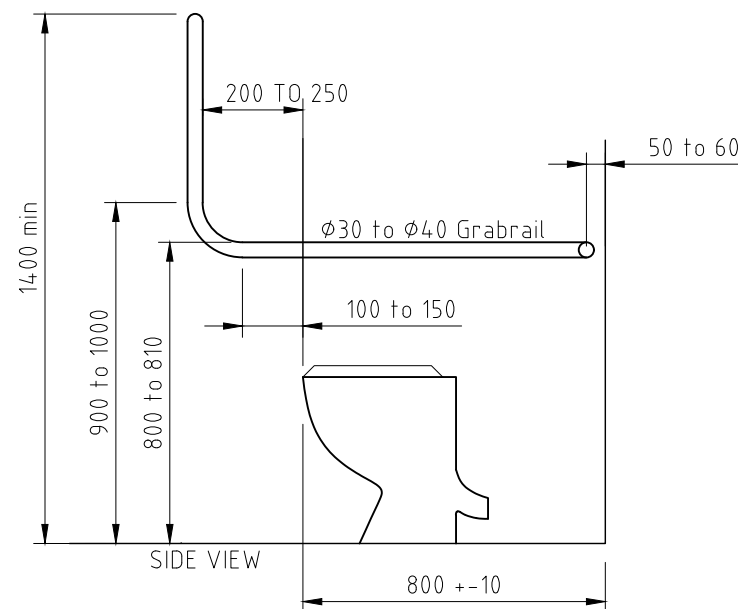
FRONT VIEW

WATER CLOSET PAN CLEARANCES, SEAT HEIGHT & SEAT WIDTH

SCALE 1:20



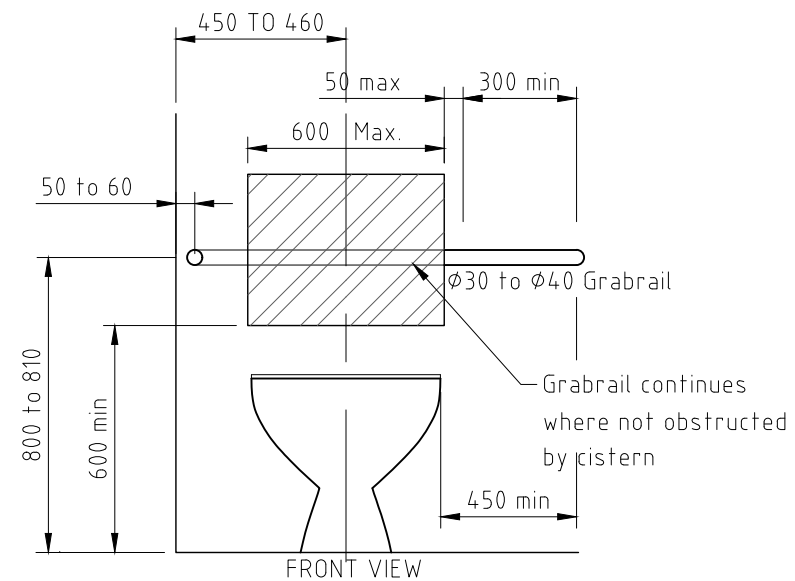
SIDE VIEW



SIDE VIEW

POSITIONS OF GRABRAILS IN WATER CLOSETS

SCALE 1:20



FRONT VIEW

A	MAR 2023	G.D.	ISSUED FOR APPROVAL
---	----------	------	---------------------

REV	DATE	BY	DESCRIPTION
-----	------	----	-------------

Giselle Denley
Drafting Services

giselle.denley@bigpond.com
0417 688 326
53 Hill Sixty Drive
Mudgee NSW 2850

CLIENT:
MID-WESTERN REGIONAL COUNCIL

TITLE:
PROPOSED COUNTRY UNIVERSITIES CENTRE
70 COURT STREET MUDGEE

SCALE: 1:50, 1:20	FILE: 3750-A01	DWG No.	REV.
DRAWN: G.D.	DATE: MAR 2023	3750-A05	A
CKD: D.N.	DATE: MAR 2023		