

GENERAL NOTES

These documents show the general arrangement of the building and include some items not supplied (refer to the quotation for nomination of all items to be provided). All items not nominated therein shall be supplied and installed by others.

The plans provided here are the latest at the time of print. Earlier plans provided may have become outdated due to engineering changes and should not be used. The plans and drawings are extensive and give all the information needed for a competent person to erect the building. The building is not designed to stand up by itself when it is partially complete. Consequently, construction bracing is critical during erection.

The owner has been requested to check off the BOM after the building delivery. You should check that you are able to locate all materials nominated in the BOM. You should also confirm that the length and size (including thickness), nominated in the BOM is what has been provided. Any missing items are the responsibility of the client once correct delivery has been confirmed as per Terms and Conditions of Sale.

DESIGN CRITERIA

These building plans have been prepared to comply with the standards nominated in the engineer's letter. All plans are not to Scale.

ADDITIONAL DOCUMENTATION TO BE SUPPLIED BY PURCHASER/OWNER

The Purchaser/Owner is responsible for:

- *Provision of Soils Report for the site and in the building area on which the building is to be erected
- *Site Plan and Drainage Plans
- *Any other plans not covered by these engineering plans requested by the local Council or the authority

RAINWATER AND DRAINAGE

All Rainwater and drainage designs are the responsibility of the purchaser/owner. Residential gutters and downpipes where supplied are based on average rainfall for the state and may not be sufficient for your building size or usage. Please speak to your building designer or contractor to ensure gutters are fit for purpose.

BUILDING CONSTRUCTION REQUIREMENTS

The Builder and Purchaser are to ensure that all construction is carried out in accordance with the Plans, the Construction Manual and the Bill of Materials (BOM).

It is the responsibility of the builder to ensure that they are familiar with the operational risks and their obligations in carrying out construction work.

The builder must ensure that they have an appropriate Health & Safety Plan (The Plan) compliant with and as required by their local, state and federal regulations. The Plan will need to take into account the site conditions, the size of the building and the experience of the construction personnel. The Plan will, most likely, differ for each project.

The builder must ensure that The Plan is adhered to. Particular attention should be paid to the requirements to ensure that any person working at heights are properly trained and following the requirements as set out by The Plan.

It is recommended that you check with the appropriate authority in your area as to your responsibilities.

TEMPORARY SUPPORT, LIFTING AND SHORING

The design of temporary propping shoring, lifting and support during construction has not been undertaken and is not included in our engagement. This work is the responsibility of the Contractor undertaking the construction of the building.

SLAB DETAILS - GENERAL

* The minimum size of Piers under the columns and End Wall Mullions are nominated on the Material Specifications Plan. When the slab and piers are poured as one pour, the depth of the pier is to the top of the slab.

* Pier Reinforcement: for any piers over 1100mm, deformed bar to within 100mm of base and minimum 75mm top cover. Minimum side cover 75mm, maximum 100mm. Rod to be caged horizontally at least twice and at a maximum of 300mm spacing. Tie with a minimum of 6mm diameter cage tie. Where pier diameter is less than 450mm diameter, use 4 N12. For diameters equal to and over 450mm, use 4 N16.

Concrete Slab

* Footings and slabs, including internal and edge beams, must be founded on natural soil with a minimum allowable bearing capacity of 100kPa. Design covers soil classifications of A, S, M, H1 or H2 for a class 10 building.

* The footing designs have been calculated with adhesion values of 0kPa, 25kPa and 50kPa for clay soils and dense sand soils only.

* A site specific geotechnical investigation has not been performed. The builder will need to verify the soil type and conditions.

* Site conditions different to those specified require a modified design.

* Sub grade shall be excavated and compacted to a minimum of 100% standard dry density ratio and within 2% of the OMC to comply with AS2159.

* Designs are in accordance with AS 3600:2018

* All concrete to be in accordance with AS 3600:2018. Minimum 25 Mpa, with 80mm slump.

* Concrete should be cured for 7 days before commencing construction of the building.

* Refer to connection details.

* Saw construction joints to be 25mm deep x 5mm wide. Saw cuttings shall take place no later than 24 hours after pouring. Saw construction joints to be placed at a maximum spacing of 6.3m (in both the length and the span). Care should be taken to avoid construction cuts intersecting where any fixing to the slab is to be made.

* Where columns or end wall mullions have been removed, piers are not required.

* End wall mullion spacing may move due to location of openings or doors. Check layout and component position plan, and relocate piers as required.

* The Slab Plan indicates those parts of the slab which are 50mm below main slab/piers.

For Class A, S or M Sites

* Slab thickness to be a minimum of 100mm with SL 72 mesh and 40mm top cover.

* Concrete piers under Roller Doors Jambes to be a minimum size as below: C25019 - 450mm dia x 550mm deep, centered to the C Section
Where heavy traffic is to go through the roller doors, it is recommended that the slab edge should be thickened to 200mm deep by 300mm wide for the length between the mullions. Place an additional section of SL 72 mesh, 50mm from the base in all thickenings.

For Class H1 or H2 Sites

* Slab thickness to be a minimum of 100mm with SL 82 mesh and 40mm top cover.

* Perimeter beams 400mm deep x 300mm wide with Y12 3 bar Trench Mesh to the perimeter of the building.

* Internal beams 400mm deep by 300mm wide with Y12 3 bar Trench Mesh at a max spacing of 6.2m.

* Concrete piers under Roller Doors Jambes to be a minimum size as below: C25019 - 450mm dia x 700mm deep, centered to the C Section

SHEETED PORTALS AND MULLIONS

All end wall mullions provide critical support to portal frames and cannot be repositioned or removed under any circumstances without engineering approval.

BRACING NOTES

* Refer to Connection Details.

* All Cross Bracing is achieved with 1.2mm Strap G450.

* Cross bracing is to be fixed taut and secured with 14.20 x 22 frame screws at each end, quantity as per connection details.

* Fly bracing to be fixed to the purlins/girts on all mid portal rafters, columns and end wall mullions. Fly bracing is to be fitted to every second purlin/girt, or, on every one, where the spacing between fly braces would exceed the maximum specified below for the relevant column/rafter size:


- C150 - maximum 1800mm spacing
- C200, C250 - maximum 2200mm spacing
- C300 - maximum 2800mm spacing
- C350 - maximum 2800mm spacing
- C400 - maximum 2800mm spacing

Initial measurement is from the haunch of the column/rafter, and from the rafter for any end wall mullions.

* All bracing strap ends to be located as close as practical to structural member's (columns, rafters, mullions) centerline.

BOLTS

* Unless otherwise nominated, all bolts are grade 4.6

Revision	Date	Initial			General Notes	Seller: THE Shed Company Mudgee Name: S & K Lincoln Pty Ltd Phone: (02) 6372 7755 Fax: (02) 6372 7700 Email: mudgeeadmin@theshedcompany.com.au	Apex Engineering Group PTY LTD ACN 632 588 562 MIE Aust. (Registered NER Structural) 5276680 QLD : RPEQ No. 24223; TAS : 185770492; VIC : PE0003848; N.T : 303557ES; Practising Professional Structural & Civil Engineers Signature:  John Ronaldson Date: 06/10/22
			Purchaser Name: John Guest				
			Site Address: 27 Short St Mudgee NSW 2850 Australia				
			Drawing # TMUD223016 - 2	Print Date: 6/10/2022			

* All tensioned bolts shall be tensioned using the part turn method (refer to AS4100). For the erector, full details are in the construction manual.


ROLLER DOORS

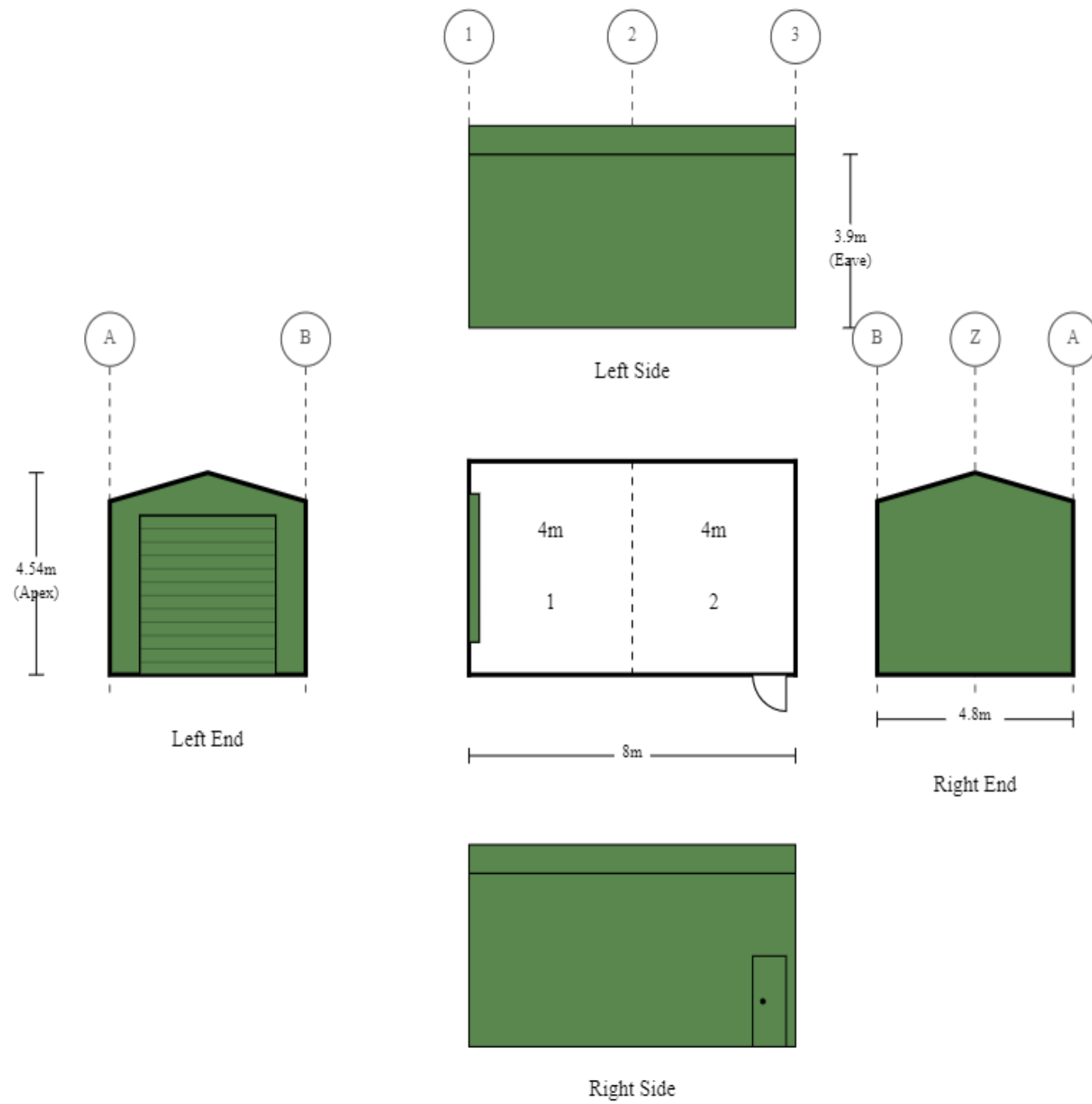
All comments regarding roller doors are referenced from inside the building looking out.

OTHER MATERIALS NOTES

* All Sheeting, Flashing and framing screws are Climaseal 4.

* All purlin material has Z350 zinc coating with minimum strength of 450MPa.

Revision	Date	Initial	Purchaser Name: John Guest		General Notes	Seller: THE Shed Company Mudgee Name: S & K Lincoln Pty Ltd Phone: (02) 6372 7755 Fax: (02) 6372 7700 Email: mudgeadmin@theshedcompany.com.au	Apex Engineering Group PTY LTD ACN 632 588 562 MIE Aust. (Registered NER Structural) 5276680 QLD : RPEQ No. 24223; TAS : 185770492; VIC : PE0003848; N.T : 303557ES; Practising Professional Structural & Civil Engineers Signature:  John Ronaldson Date: 06/10/22
			Site Address: 27 Short St Mudgee NSW 2850 Australia				
			Drawing # TMUD223016 - 2	Print Date: 6/10/2022			



Purchaser Name: John Guest

Site Address: 27 Short St Mudgee NSW 2850 Australia

Drawing # TMJD223016 - 3

Print Date: 06/10/22

Layout
Not to Scale
© Copyright Steelx IP Pty Ltd

Seller: THE Shed Company Mudgee
S & K Lincoln Pty Ltd
Phone: (02) 6372 7755
Fax: (02) 6372 7700
Email: mudgeeadmin@theshedcompany.com.au

Apex Engineering Group PTY LTD
ACN 632 588 562
ME Aust. (Registered NER Structural) 5276680
QLD : RPEQ No. 24223; TAS : 185770492; VIC : PE0003848; N.T. : 303557ES;
Practising Professional Structural & Civil Engineers

Signature:

John Ronaldson

Date: 06/10/22

MATERIAL SPECIFICATIONS

For further information regarding the tabulated values shown, refer to the General Notes

Building Dimensions

Categories	Span	Length	Pitch	Height	Grid(s)	Portal(s)
Main Building	4.8	8	15	3.9	A - B	1 - 3

Portal Frame Elements

Grid / Portal Number		1	2	3
Columns	A	C15012	C20015	C15012
	B	C15012	C20015	C15012
Rafters	A - Apex	C15012	C20015	C15012
	Apex - B	C15012	C20015	C15012
End Wall Mullions	Z	-	-	C15015

Bay Section Elements


Grid / Bay Number		1	2	Maximum
Bay Widths		4	4	
Roof Purlins (refer to Purlin And Girt Plan)		Z100	Z100	
Roof Purlin Spacing (End)	A - Apex	0.763	0.763	0.900
	Apex - B	0.763	0.763	0.900
Roof Purlin Spacing (Internal Spans)	A - Apex	0.763	0.763	1.200
	Apex - B	0.763	0.763	1.200
Eave Purlin	A	XC15012	XC15012	
	B	XC15012	XC15012	
Side Girts (refer to Purlin And Girt Plan)		Z100	Z100	
Side Girts Spacing (End)	A	1.223	1.223	1.700
	B	1.223	1.223	1.700
Side Girts Spacing (Internal)	A	1.223	1.223	1.700
	B	1.223	1.223	1.700
PA Door Header	B	-	C10010	
PA Door Jambs	B	-	C10010	

End Bay Section Elements

Grid / Portal Number		1	3	Maximum
End Girts (refer to Purlin And Girt Plan)		Z100	Z100	
End Girts Spacing (End)	A - B	1.223	-	1.700
	A - Z	-	1.223	1.700
	Z - B	-	1.223	1.700
End Girts Spacing (Internal)	A - B	1.223	-	1.700
	A - Z	-	1.223	1.700
	Z - B	-	1.223	1.700
Roller Door Header	A - B	HEADER3	-	
	A - Z	-	-	
	Z - B	-	-	
Roller Door Jambs	A - B	C25019	-	
	A - Z	-	-	
	Z - B	-	-	

Cladding Elements

Category	Colour	Product
Roof Sheeting	COLORBOND® steel	CORODEK® 0.42 BMT (0.47TCT)
Roof Flashings	COLORBOND® steel	BlueScope 0.55 BMT
Wall Sheeting	COLORBOND® steel	CORODEK® 0.42 BMT (0.47TCT)
Wall Flashing	COLORBOND® steel	BlueScope 0.55 BMT


Revision	Date	Initial			Specification Sheet	Seller: THE Shed Company Mudgee Name: S & K Lincoln Pty Ltd Phone: (02) 6372 7755 Fax: (02) 6372 7700 Email: mudgeeadmin@theshedcompany.com.au	Apex Engineering Group PTY LTD ACN 632 588 562 MIE Aust. (Registered NER Structural) 5276680 QLD : RPEQ No. 24223; TAS : 185770492; VIC : PE0003848; N.T : 303557ES; Practising Professional Structural & Civil Engineers		
			Purchaser Name: John Guest					Page 1 of 2 ©Copyright Steelx IP Pty Ltd	Signature:  John Ronaldson Date: 06/10/22
			Site Address: 27 Short St Mudgee NSW 2850 Australia						
			Drawing # TMUD223016 - 4	Print Date: 6/10/2022					

MATERIAL SPECIFICATIONS

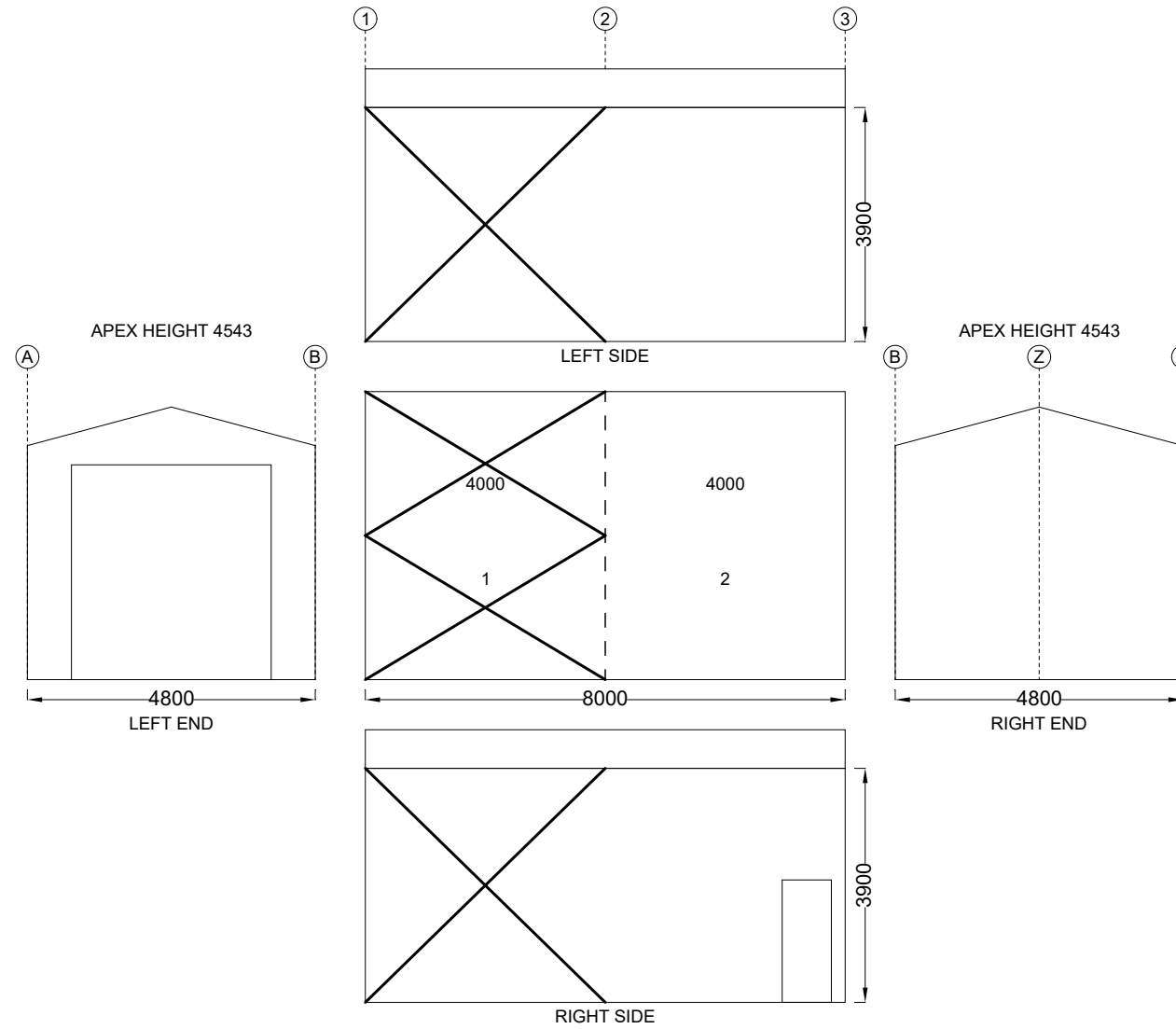
For further information regarding the tabulated values shown, refer to the General Notes

Pier Sizes

Adhesion (kPa)	Soil Description	Diameter (m)	Depth (m) - with Slab	
			BP1	BP2
0	Sandy Soil	0.3	0.45	-
		0.45	0.45	0.45
		0.6	0.45	0.45
25	Soft to Firm Clay	0.3	0.45	-
		0.45	0.45	0.45
		0.6	0.45	0.45
50	Stiff to Very Stiff Clay	0.3	0.45	-
		0.45	0.45	0.45
		0.6	0.45	0.45

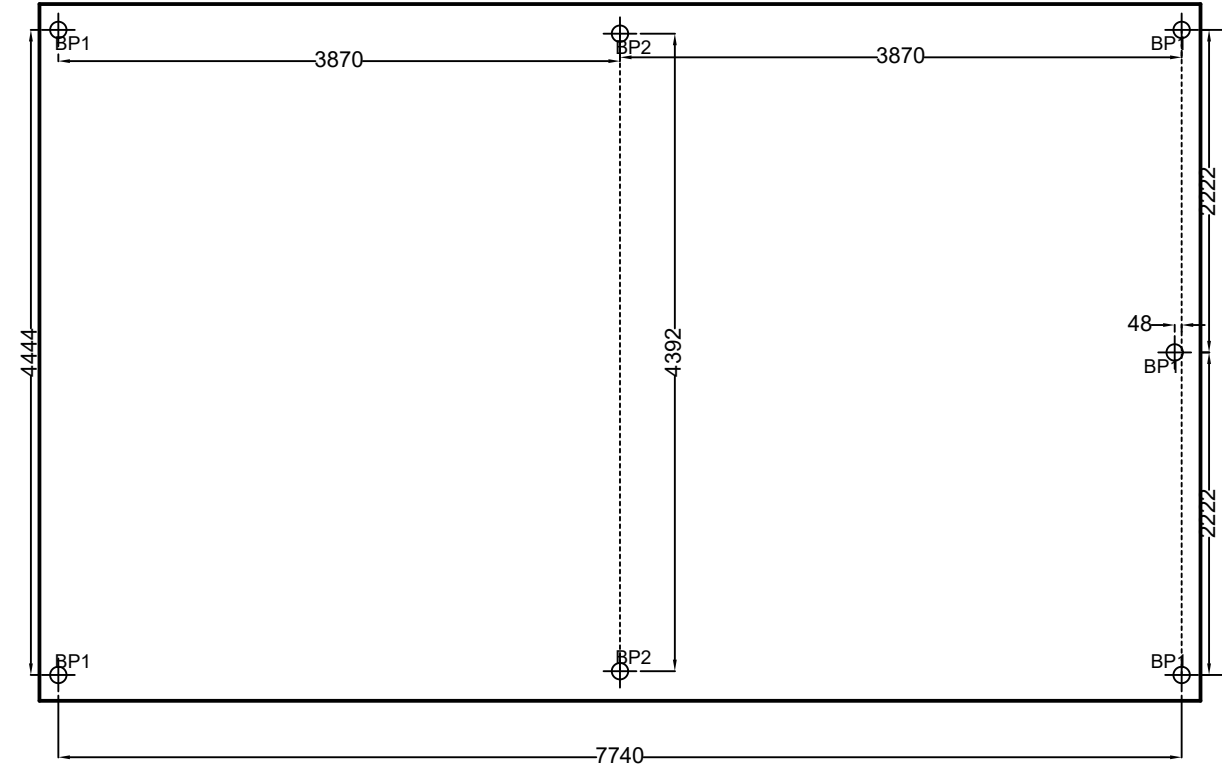
Revision	Date	Initial	Purchaser Name: John Guest		Specification Sheet Page 2 of 2 ©Copyright Steelx IP Pty Ltd	Seller: THE Shed Company Mudgee Name: S & K Lincoln Pty Ltd Phone: (02) 6372 7755 Fax: (02) 6372 7700 Email: mudgeadmin@theshedcompany.com.au	Apex Engineering Group PTY LTD ACN 632 588 562 MIE Aust. (Registered NER Structural) 5276680 QLD : RPEQ No. 24223; TAS : 185770492; VIC : PE0003848; N.T : 303557ES; Practising Professional Structural & Civil Engineers Signature:  John Ronaldson Date: 06/10/22
			Site Address: 27 Short St Mudgee NSW 2850 Australia				
			Drawing # TMUD223016 - 4	Print Date: 6/10/2022			


Cross Bracing is achieved with 1.2mm Strap. Refer to Connection Details.



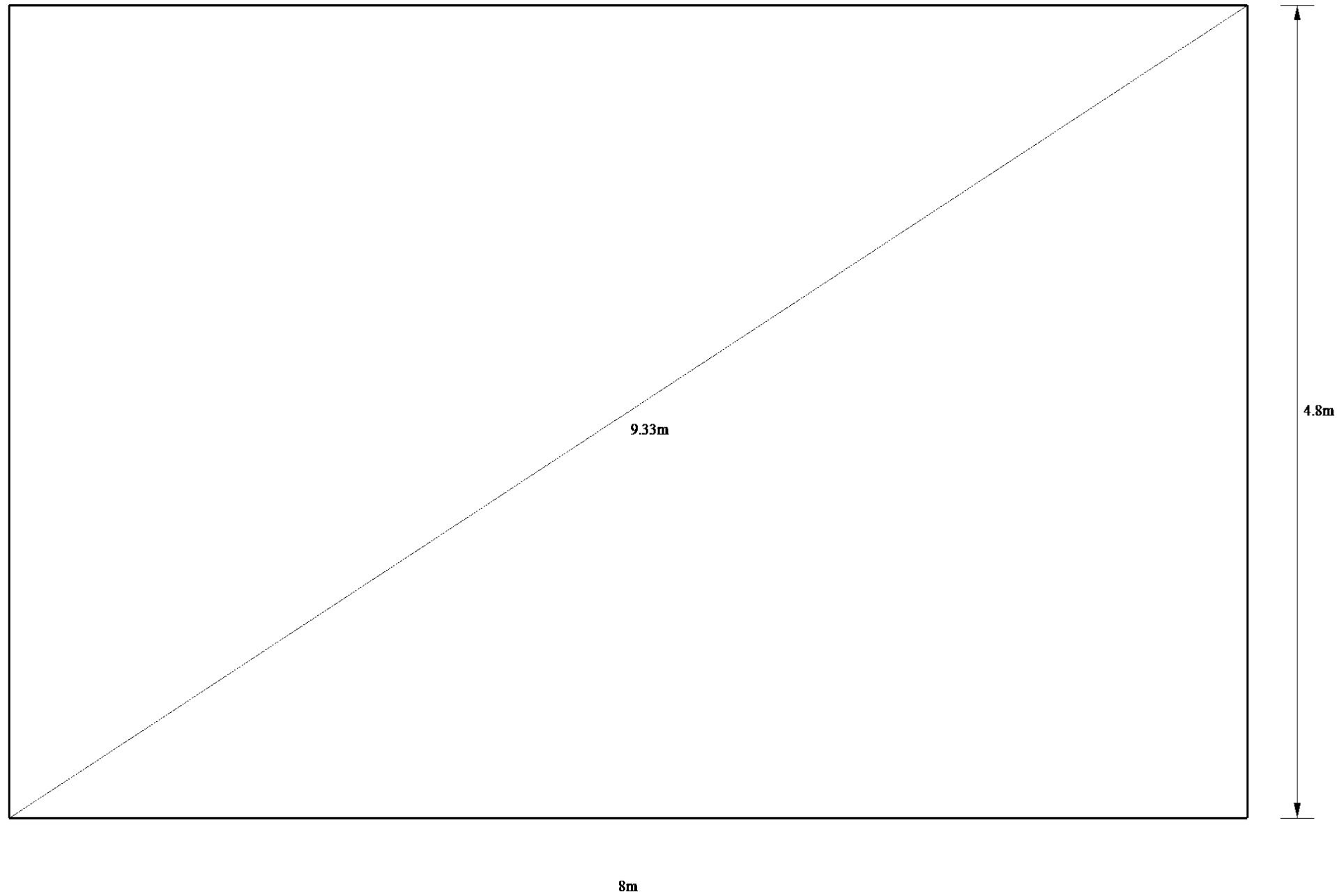
Revision	Date	Initial	Purchaser Name: John Guest		Bracing NOT TO SCALE Page 1 of 1 ©Copyright Steelx IP Pty Ltd	Seller: THE Shed Company Mudgee		Apex Engineering Group PTY LTD	
			Site Address: 27 Short St Mudgee NSW 2850 Australia			Name: S & K Lincoln Pty Ltd		ACN 632 588 562	
			Drawing # TMUD223016 - 5	Print Date: 6/10/2022		Phone: (02) 6372 7755		MIE Aust. (Registered NER Structural) 5276680	
						Fax: (02) 6372 7700		QLD : RPEQ No. 24223; TAS : 185770492; VIC : PE0003848; N.T : 303557ES;	
					Email: mudgeeadmin@theshedcompany.com.au		Practising Professional Structural & Civil Engineers		
							Signature:  John Ronaldson		
							Date: 06/10/22		

These dimensions are provided as a guide only. It is the responsibility of the concreter to confirm that all dimensions are correct.
 Refer to Material Specifications Plan for BP dimensions.



Revision	Date	Initial	Purchaser Name: John Guest		Concrete Piers PIER MEASUREMENT ONLY NOT TO SCALE Page 1 of 1 ©Copyright Steelx IP Pty Ltd	Seller: THE Shed Company Mudgee		Apex Engineering Group PTY LTD	
			Site Address: 27 Short St Mudgee NSW 2850 Australia			Name: S & K Lincoln Pty Ltd		ACN 632 588 562	
			Drawing # TMUD223016 - 6	Print Date: 6/10/2022		Phone: (02) 6372 7755		MIE Aust. (Registered NER Structural) 5276680	
						Fax: (02) 6372 7700		QLD : RPEQ No. 24223; TAS : 185770492; VIC : PE0003848; N.T : 303557ES;	
					Email: mudgeadmin@theshedcompany.com.au		Practising Professional Structural & Civil Engineers		
							Signature: 		John Ronaldson
									Date: 06/10/22

These dimensions are provided as a guide only. It is the responsibility of the concreter to confirm that all dimensions are correct.



Purchaser Name: John Guest

Site Address: 27 Short St Mudgee NSW 2850 Australia

Drawing # TMJD223016 - 7

Print Date: 06/10/22

Slab Dimensions
Also refer to Concrete Piers Plan
Not to Scale
© Copyright Steelx IP Pty Ltd

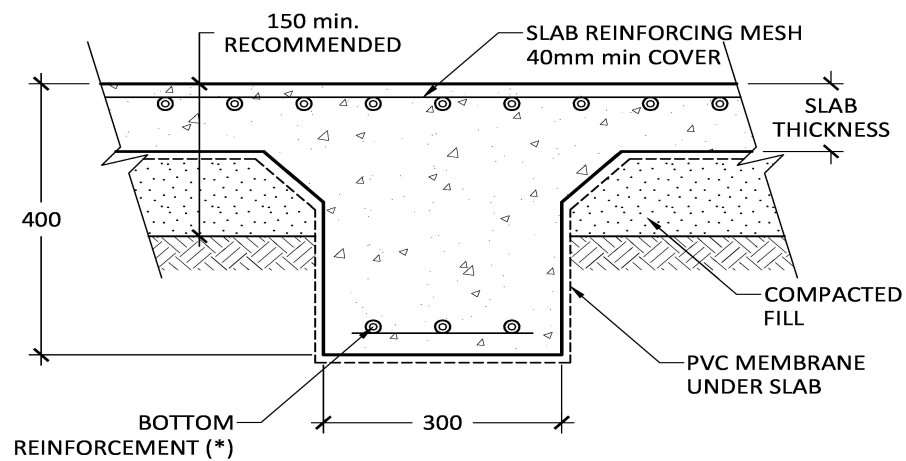
Seller: THE Shed Company Mudgee
S & K Lincoln Pty Ltd
Phone: (02) 6372 7755
Fax: (02) 6372 7700
Email: mudgeeadmin@theshedcompany.com.au

Apex Engineering Group PTY LTD
ACN 632 588 562
ME Aust. (Registered NER Structural) 5276680
QLD : RPEQ No. 24223; TAS : 185770492; VIC : PE0003848; N.T : 303557ES;
Practising Professional Structural & Civil Engineers

Signature:

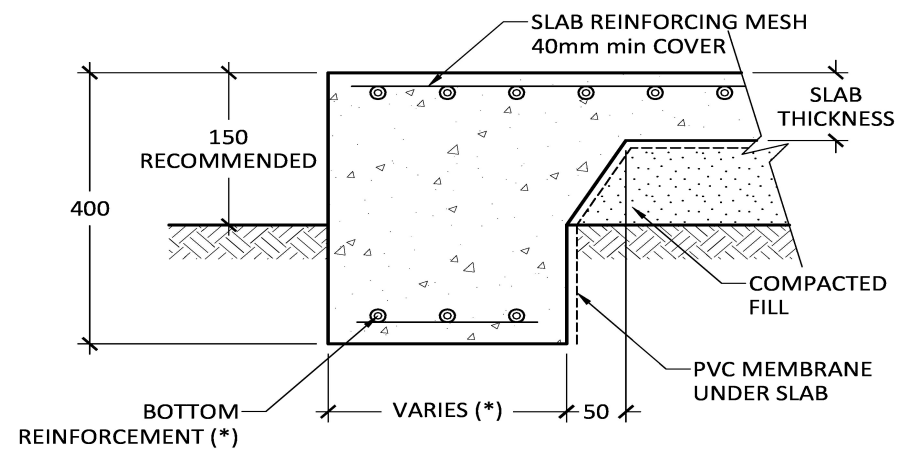
John Ronaldson

Date: 06/10/22



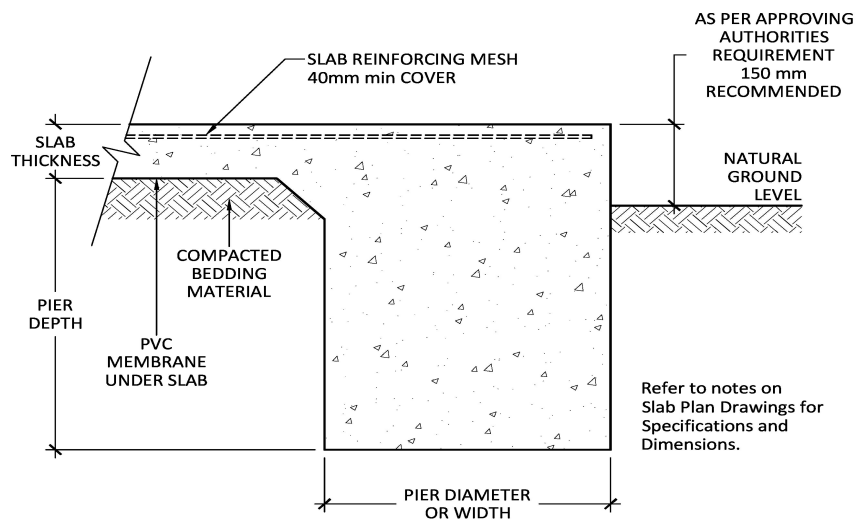
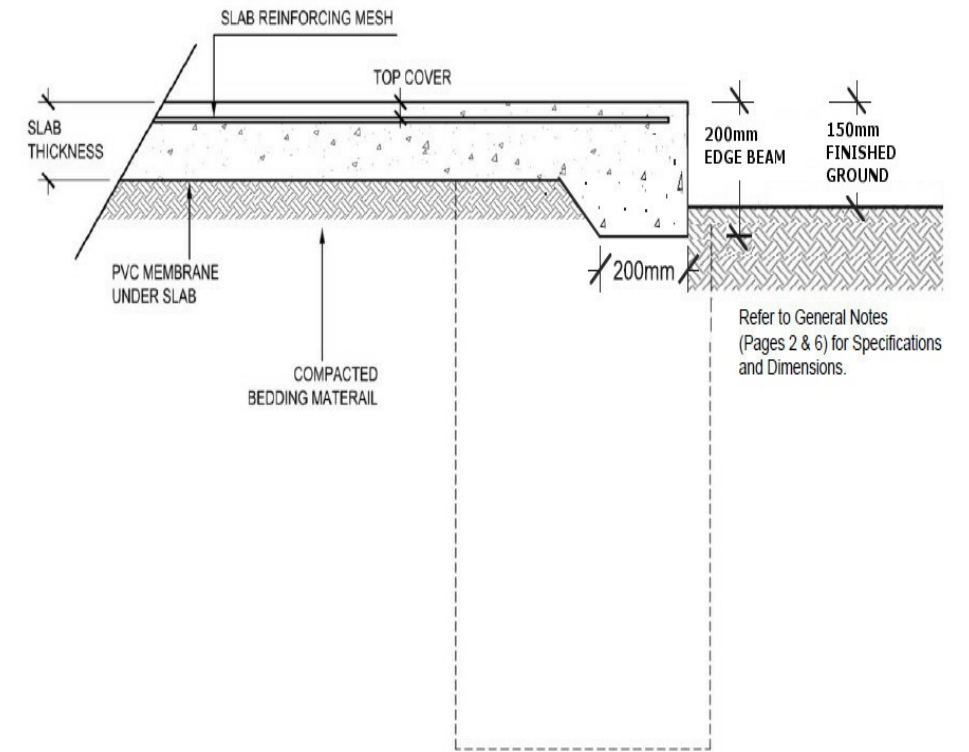
(* REFER TO GENERAL NOTES FOR SPECIFICATION)

INTERNAL BEAM
(H1 & H2 SOIL TYPE, OPTIONAL A, S & M)

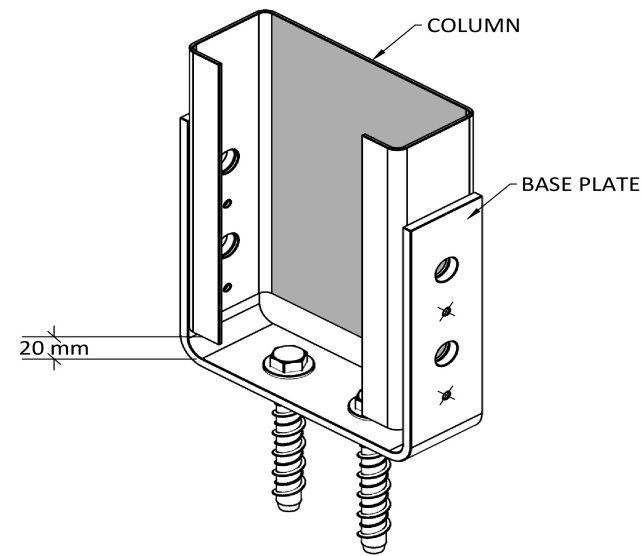


(* REFER TO GENERAL NOTES FOR SPECIFICATION)

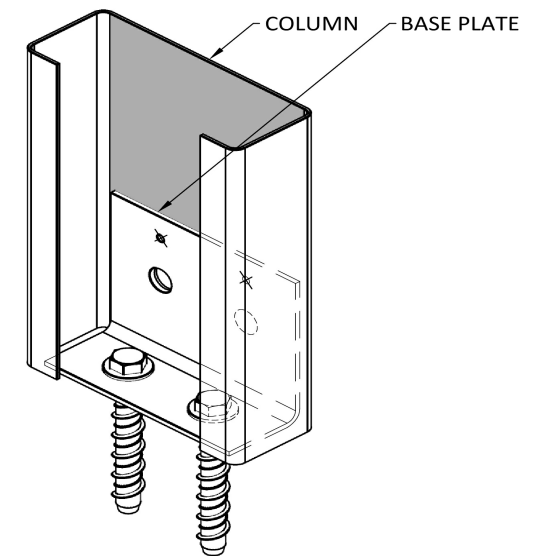
PERIMETER BEAM
(H1 & H2 SOIL TYPE, OPTIONAL A, S & M)



SLAB AND PIER DETAIL



- FIXING BOLTS - 2 of M12 x 100 SCREWBOLT
 - FIXING BOLTS - 4 of M12 x 30 Galv.
 - × FIXING SCREWS - 4 of 12.24 x 38 Series 500
- C150 COLUMN FIXING (BF)**



- FIXING BOLTS - 2 of M12 x 100 SCREWBOLTS
 - FIXING BOLTS - 2 of M12 x 30 Galv.
 - × FIXING SCREWS - 2 of 14.20 x 22
- C150 MULLION BASE PLATE (B)**

Purchaser Name: John Guest

Site Address: 27 Short St Mudgee NSW 2850 Australia

Drawing # TMJD223016 - 8

Print Date: 06/10/22

Connection Details
Not to Scale
Page 1 of 6
© Copyright Steelx IP Pty Ltd

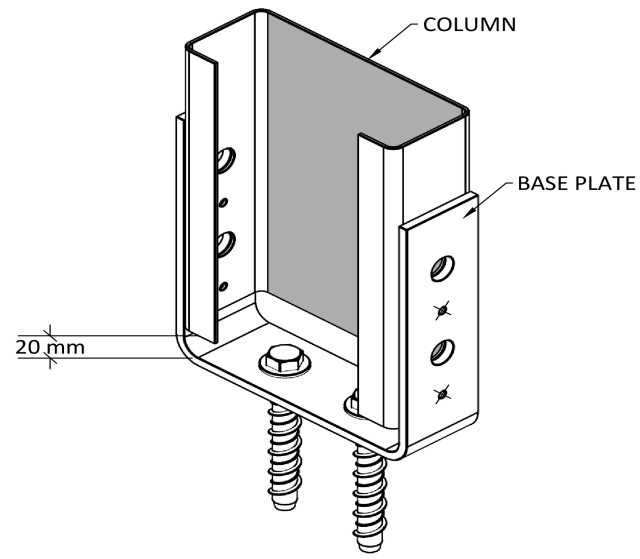
Seller: THE Shed Company Mudgee
S & K Lincoln Pty Ltd
Phone: (02) 6372 7755
Fax: (02) 6372 7700
Email: mudgeeadmin@theshedcompany.com.au

Apex Engineering Group PTY LTD
ACN 632 588 562
ME Aust. (Registered NER Structural) 5276680
QLD : RPEQ No. 24223; TAS : 185770492; VIC : PE0003848; N.T : 303557ES;
Practising Professional Structural & Civil Engineers

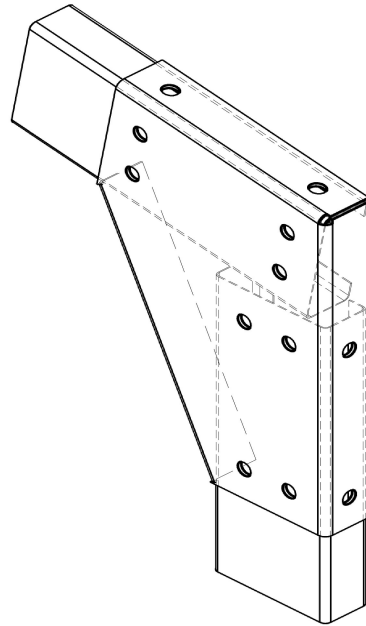
Signature:

John Ronaldson

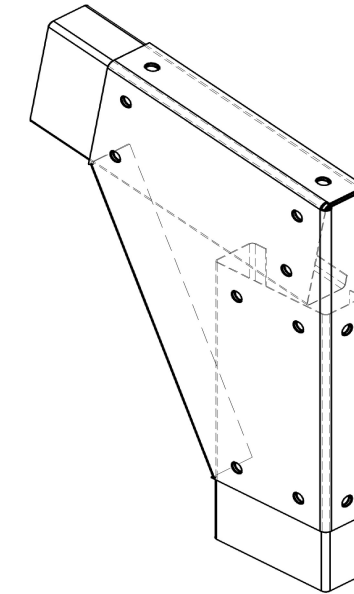
Date: 06/10/22



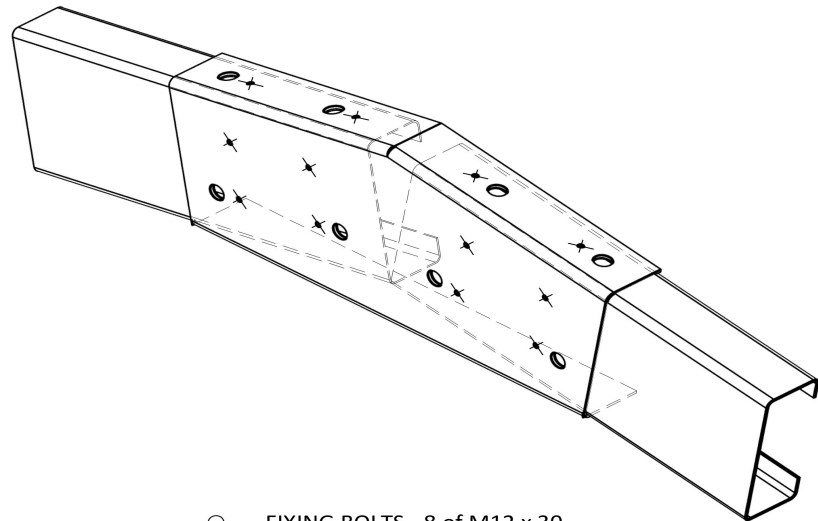
- FIXING BOLTS - 2 of M12 x 100 SCREWBOLT
 - FIXING BOLTS - 4 of M12 x 30 Galv.
 - × FIXING SCREWS - 4 of 12.24 x 38 Series 500
- C200 COLUMN FIXING (BF)**



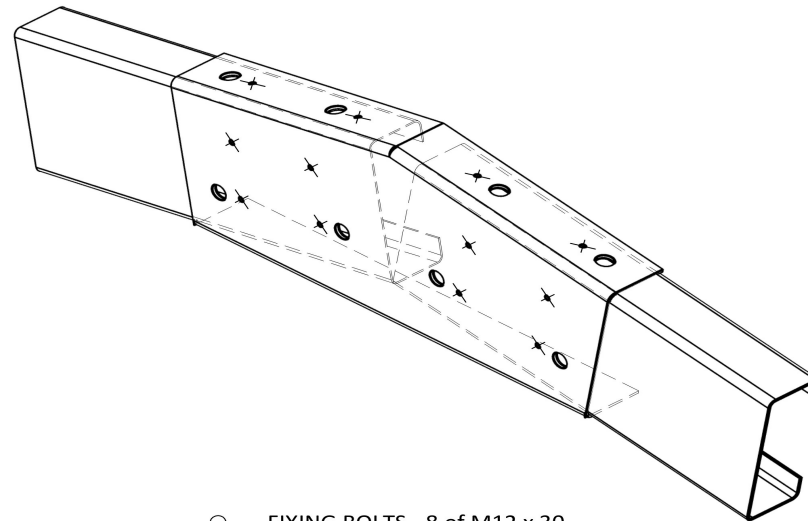
- FIXING BOLTS - 12 of M12 x 30 (8.8)
- KNEE HAUNCH BRACKET (HS&HT) - C150, 15°**



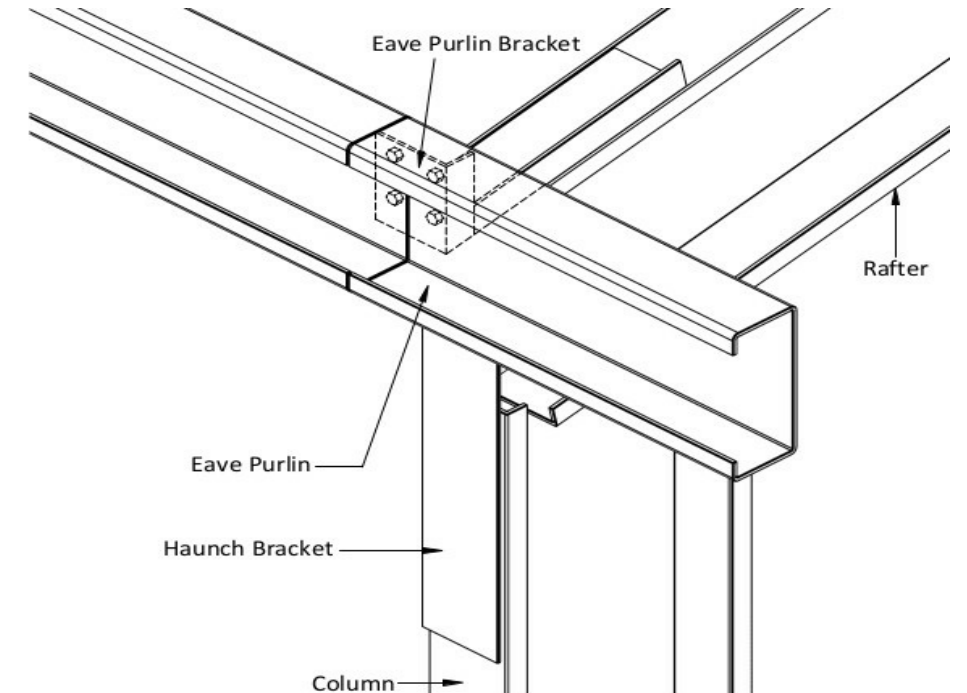
- FIXING BOLTS - 12 of M12 x 30 (8.8)
- KNEE HAUNCH BRACKET (HS&HT) - C200, 15°**



- FIXING BOLTS - 8 of M12 x 30
 - × FIXING SCREWS - 12 of 14.20 x 22
- APEX PLATE, C150, 15°**



- FIXING BOLTS - 8 of M12 x 30
 - × FIXING SCREWS - 12 of 14.20 x 22
- APEX PLATE, C200, 15°**



- FIXING SCREWS - 4 of 14.20 x 22
- EAVE PURLIN TO EAVE PURLIN BRACKET**

Purchaser Name: John Guest

Site Address: 27 Short St Mudgee NSW 2850 Australia


Drawing # TMJD223016 - 8

Print Date: 06/10/22

Connection Details
Not to Scale
Page 2 of 6
© Copyright Steelx IP Pty Ltd

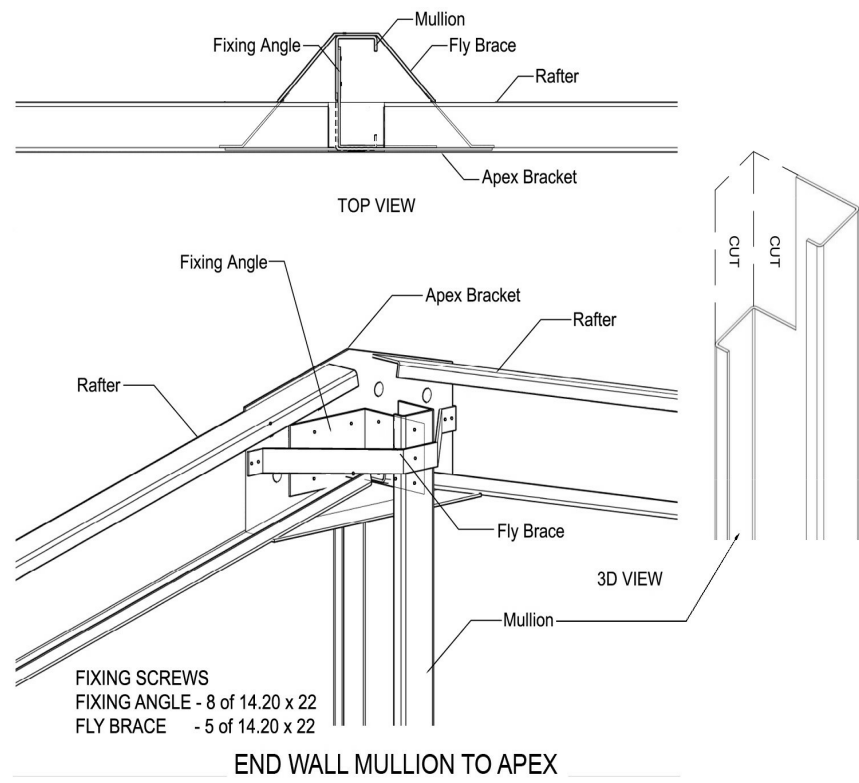
Seller: THE Shed Company Mudgee
S & K Lincoln Pty Ltd
Phone: (02) 6372 7755
Fax: (02) 6372 7700
Email: mudgeeadmin@theshedcompany.com.au

Apex Engineering Group PTY LTD
ACN 632 588 562
ME Aust. (Registered NER Structural) 5276680
QLD: RPEQ No. 24223; TAS: 185770492; VIC: PE0003848; N.T: 303557ES;
Practising Professional Structural & Civil Engineers

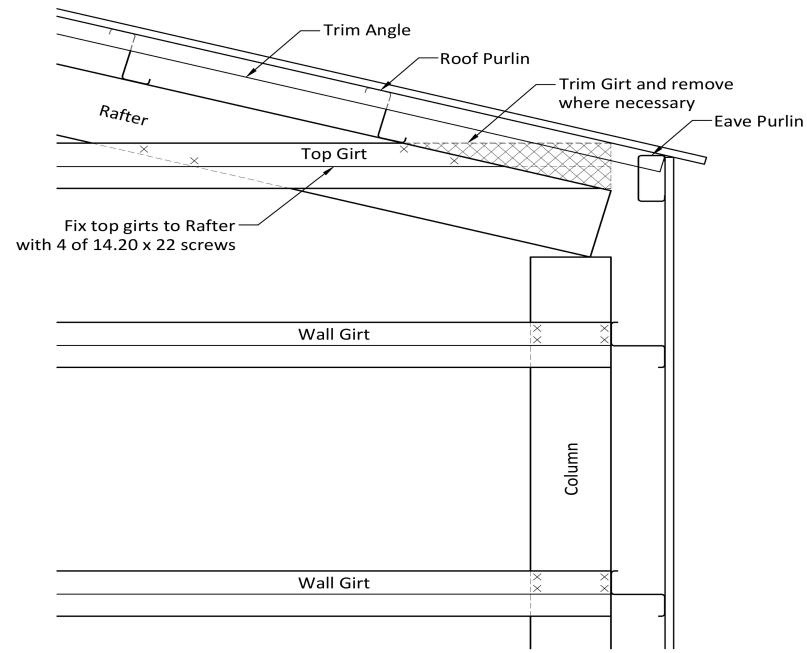
Signature: 

John Ronaldson

Date: 06/10/22



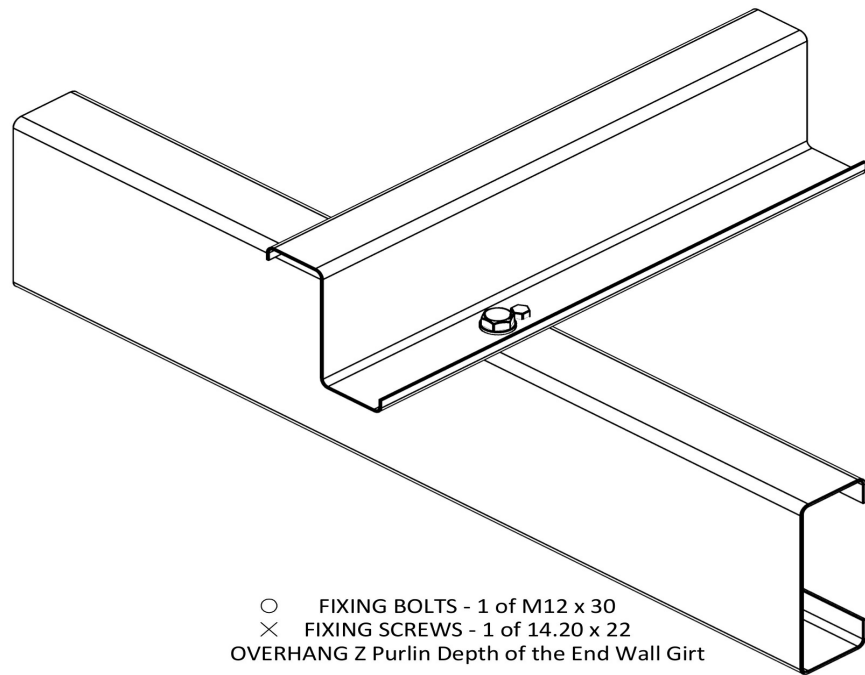
END WALL MULLION TO APEX



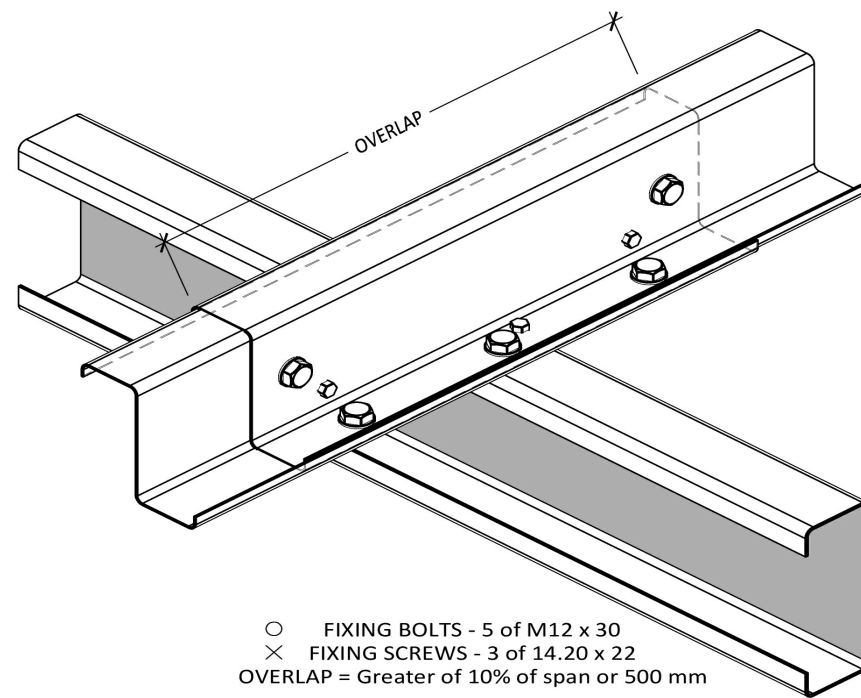
GABLE END TOP GIRT FIXING - Z



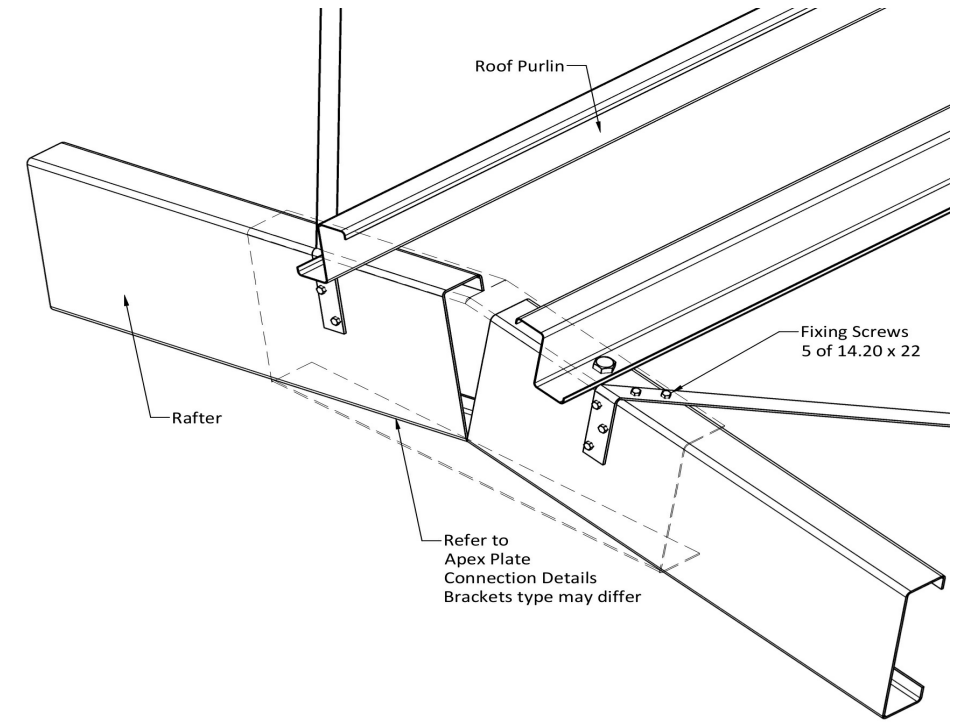
GIRT FIXING TO RAFTER - Z



PURLIN & SIDE GIRT END WALL FIXING
Z PURLIN - SINGLE COLUMN OR RAFTER



PURLIN/GIRT FIXING
SINGLE C SECTION COLUMNS OR RAFTERS



BRACING CONNECTION AT APEX

Purchaser Name: John Guest

Site Address: 27 Short St Mudgee NSW 2850 Australia

Drawing # TMJD223016 - 8

Print Date: 06/10/22

Connection Details
Not to Scale
Page 3 of 6
© Copyright Steelx IP Pty Ltd

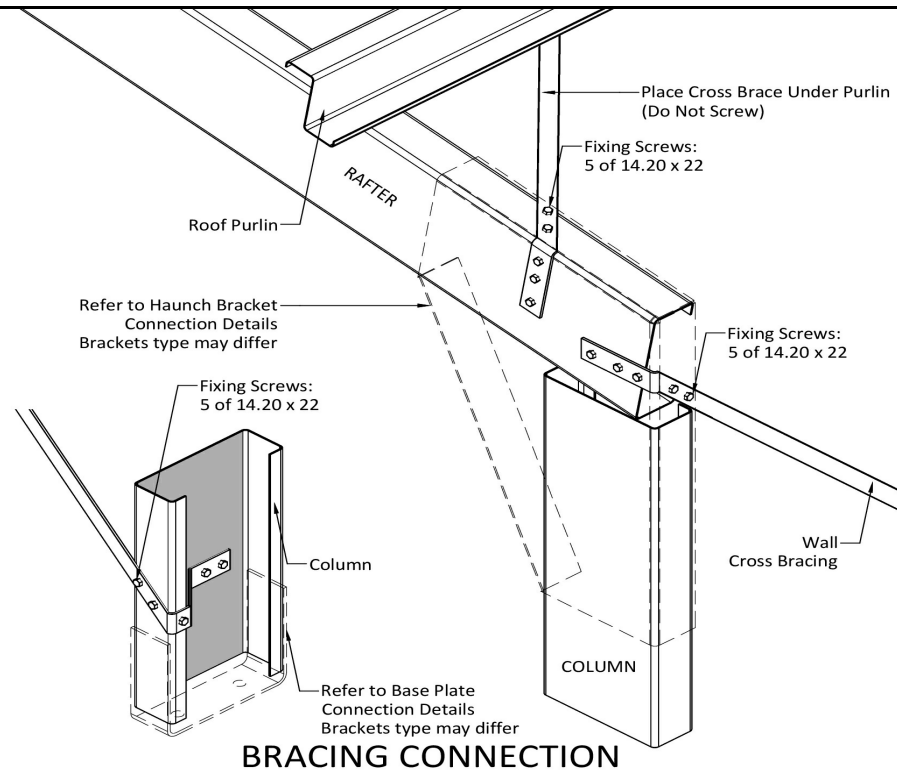
Seller: THE Shed Company Mudgee
S & K Lincoln Pty Ltd
Phone: (02) 6372 7755
Fax: (02) 6372 7700
Email: mudgeeadmin@theshedcompany.com.au

Apex Engineering Group PTY LTD
ACN 632 588 562
ME Aust. (Registered NER Structural) 5276680
QLD : RPEQ No. 24223; TAS : 185770492; VIC : PE0003848; N.T : 303557ES;
Practising Professional Structural & Civil Engineers

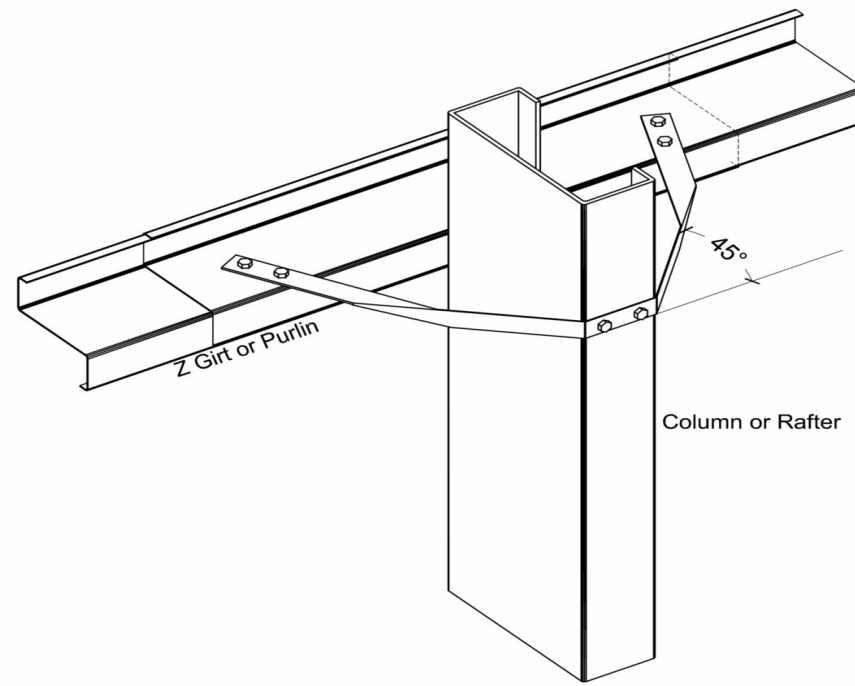
Signature:

John Ronaldson

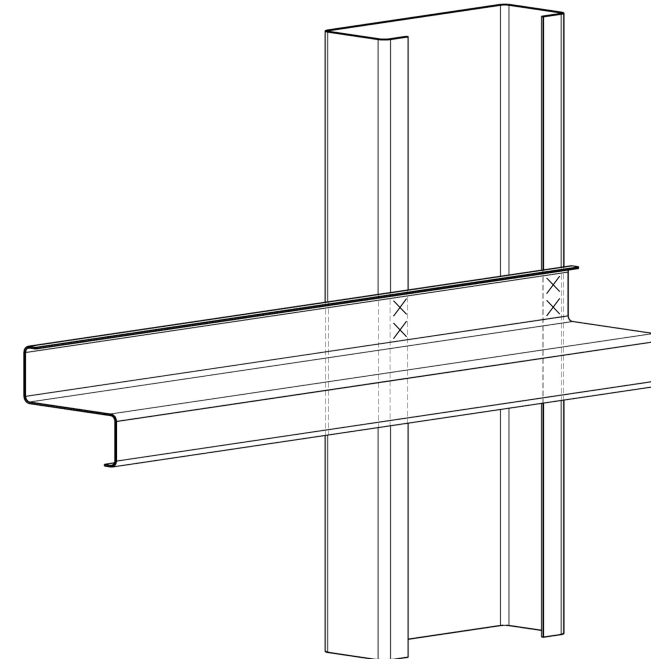
Date: 06/10/22



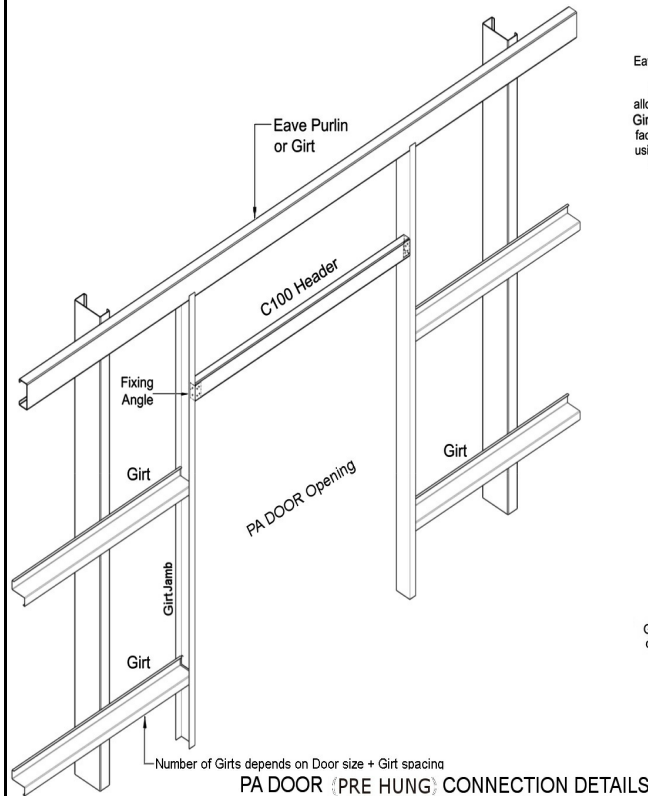
BRACING CONNECTION



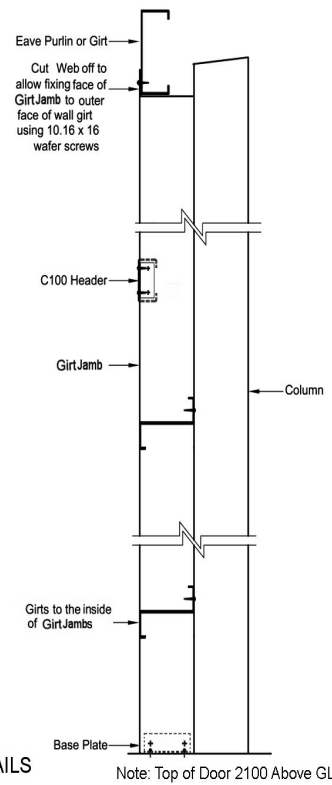
**FIXING SCREWS - 6 of 14.20 x 22
FLY BRACING**



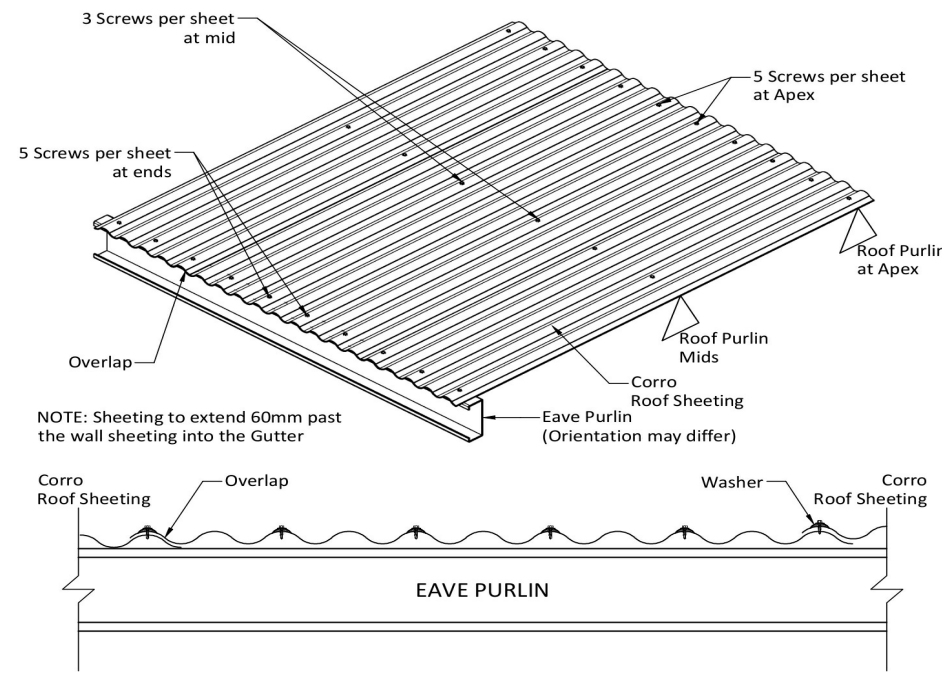
**FIXING SCREWS - 4 of 14.20 x 22
GIRT FIXING - Z**



PA DOOR (PRE HUNG) CONNECTION DETAILS



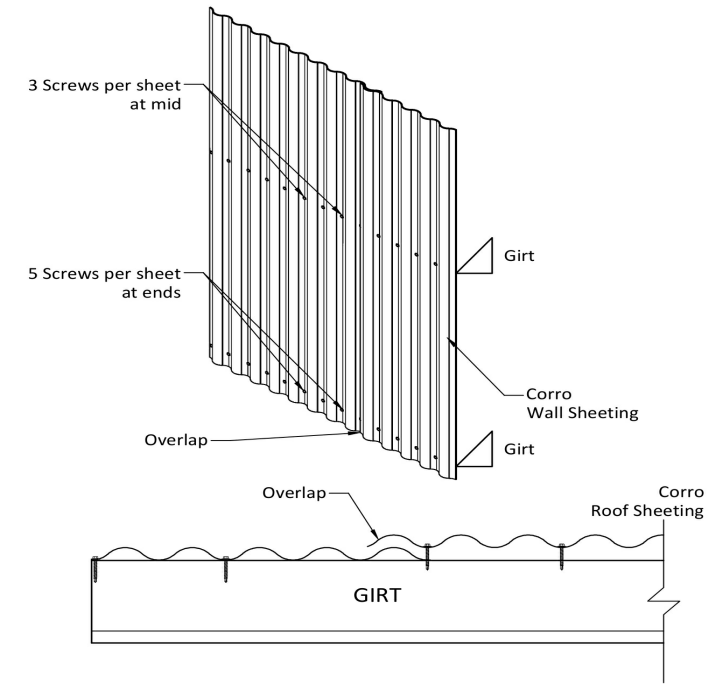
Note: Top of Door 2100 Above GL



NOTE: Sheeting to extend 60mm past the wall sheeting into the Gutter

Roofing Screws - 12.14 x 35 Hex Seal High Grip with Cyclonic Washer

CORRO ROOF SHEET FIXING



Wall Screws - 10.16 x 16 Hex

WALL SHEETING CONNECTION DETAILS

Purchaser Name: John Guest

Site Address: 27 Short St Mudgee NSW 2850 Australia

Drawing # TMJD223016 - 8

Print Date: 06/10/22

Connection Details

Not to Scale
Page 4 of 6
© Copyright Steelx IP Pty Ltd

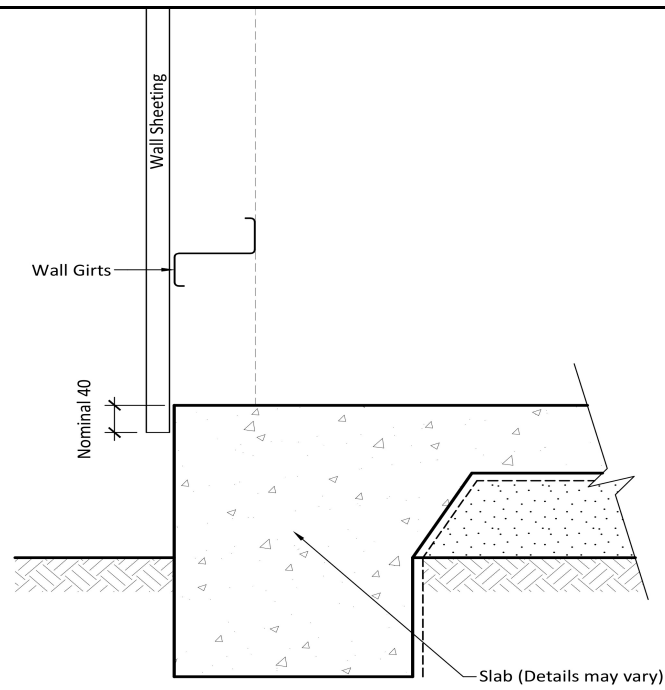
Seller: THE Shed Company Mudgee
S & K Lincoln Pty Ltd
Phone: (02) 6372 7755
Fax: (02) 6372 7700
Email: mudgeeadmin@theshedcompany.com.au

Apex Engineering Group PTY LTD
ACN 632 588 562
ME Aust. (Registered NER Structural) 5276680
QLD : RPEQ No. 24223; TAS : 185770492; VIC : PE0003848; N.T : 303557ES;
Practising Professional Structural & Civil Engineers

Signature:

John Ronaldson

Date: 06/10/22




WALL SHEET OVERHANG DETAIL

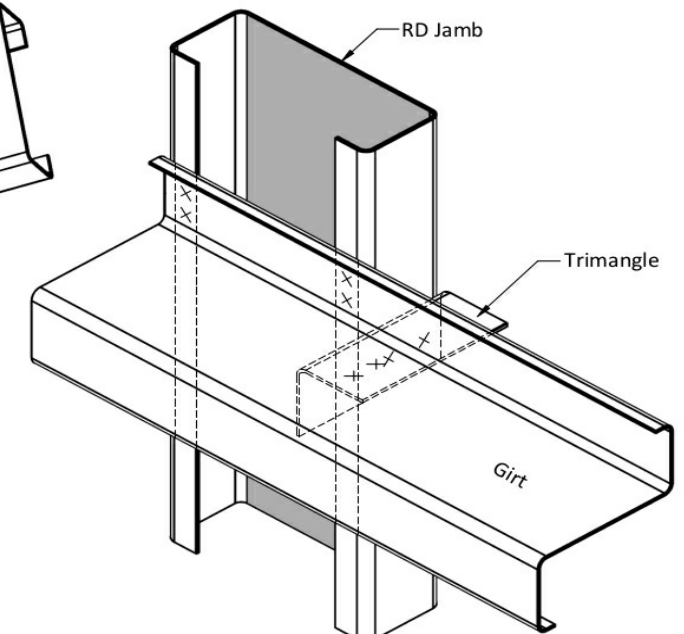
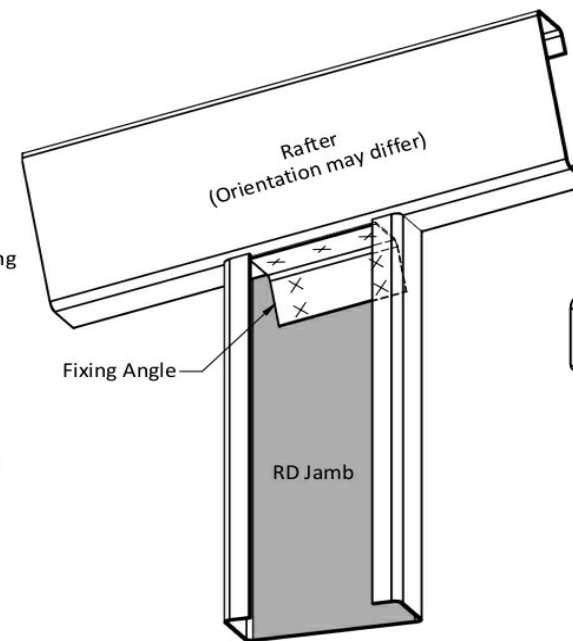
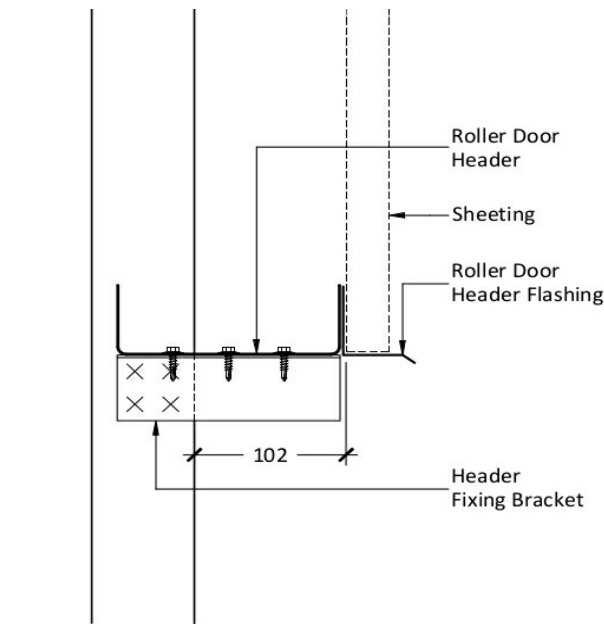
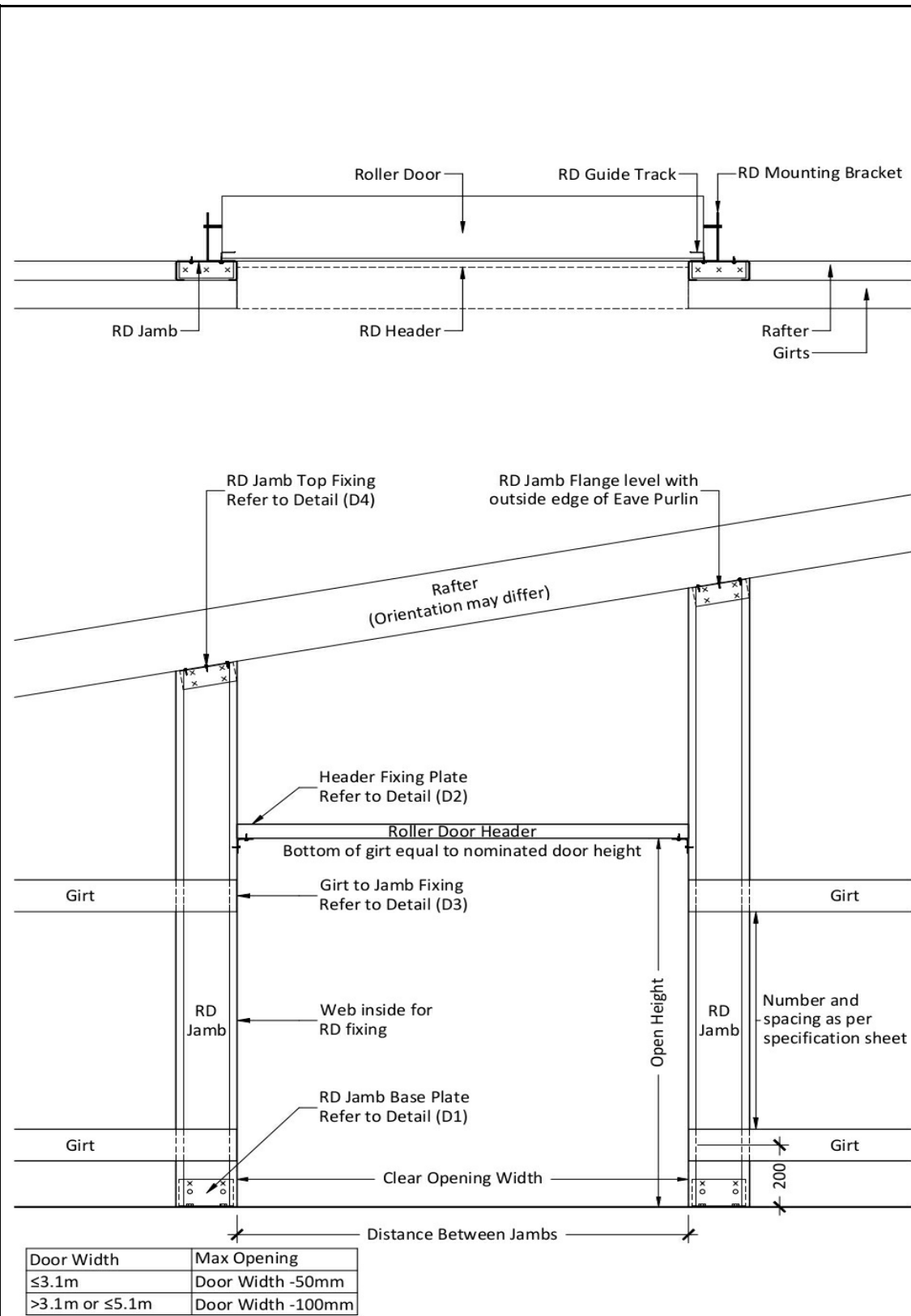
Purchaser Name: John Guest	
Site Address: 27 Short St Mudgee NSW 2850 Australia	
Drawing # TMJD223016 - 8	Print Date: 06/10/22

Connection Details
 Not to Scale
 Page 5 of 6
 © Copyright Steelx IP Pty Ltd

Seller: THE Shed Company Mudgee
 S & K Lincoln Pty Ltd
 Phone: (02) 6372 7755
 Fax: (02) 6372 7700
 Email: mudgeeadmin@theshedcompany.com.au

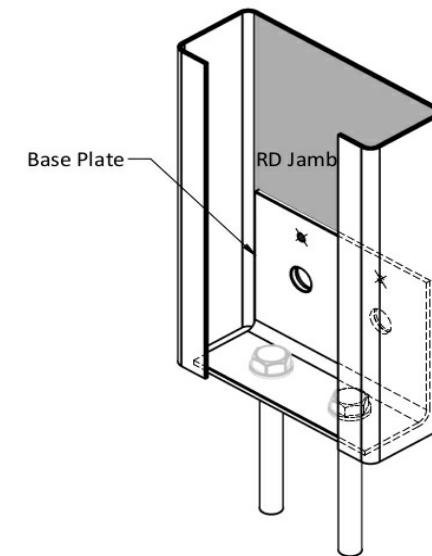
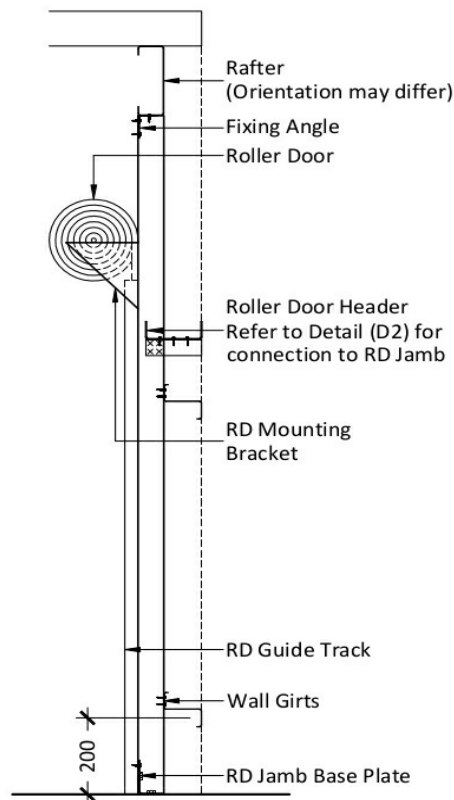
Apex Engineering Group PTY LTD
 ACN 632 588 562
 ME Aust. (Registered NER Structural) 5276680
 QLD : RPEQ No. 24223; TAS : 185770492; VIC : PE0003848; N.T : 303557ES;
 Practising Professional Structural & Civil Engineers

Signature: 
 John Ronaldson
 Date: 06/10/22

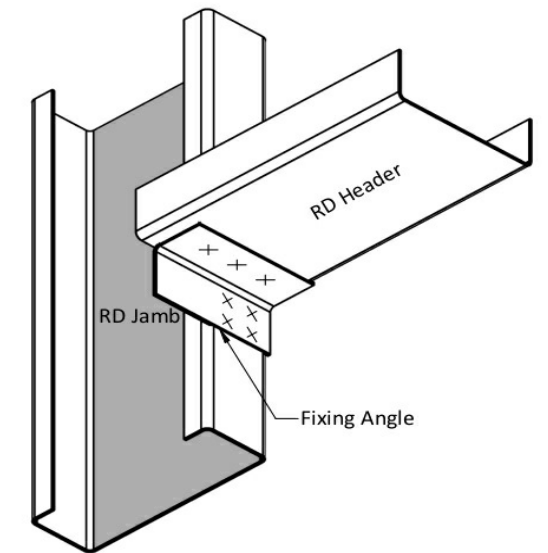


× FIXING SCREWS - 7 of 14.20 x 22
DETAIL (D4) - RD JAMB TOP FIXING

× 4 of 14.20 x 22 TO TRIMANGLE
DETAIL (D3) - GIRT FIXING TO RD JAMB



2 of M12 x 75 DYNABOLTS - FOR C150 & C200 JAMBS
2 of M16 x 110 DYNABOLTS - FOR C250 & C300 JAMBS
○ FIXING BOLTS - 2 of M12 x 30 - FOR C150 & C200 JAMBS
○ FIXING BOLTS - 2 of M16 x 30 - FOR C250 & C300 JAMBS
× FIXING SCREWS - 2 of 14.20 x 22
DETAIL (D1) - RD JAMB BASE PLATE



× FIXING SCREWS - 7 of 14.20 x 22
DETAIL (D2) - RD HEADER FIXING

Purchaser Name: John Guest

Site Address: 27 Short St Mudgee NSW 2850 Australia

Drawing # TMJD223016 - 8

Print Date: 06/10/22

Connection Details
Not to Scale
Page 6 of 6
© Copyright Steelx IP Pty Ltd

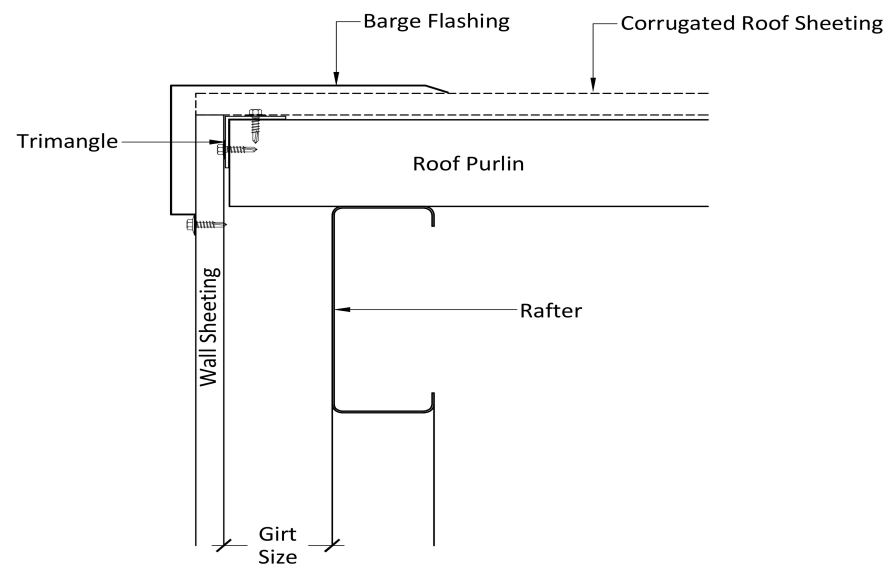
Seller: THE Shed Company Mudgee
S & K Lincoln Pty Ltd
Phone: (02) 6372 7755
Fax: (02) 6372 7700
Email: mudgeeadmin@theshedcompany.com.au

Apex Engineering Group PTY LTD
ACN 632 588 562
ME Aust. (Registered NER Structural) 5276680
QLD: RPEQ No. 24223; TAS: 185770492; VIC: PE0003848; N.T.: 303557ES;
Practising Professional Structural & Civil Engineers

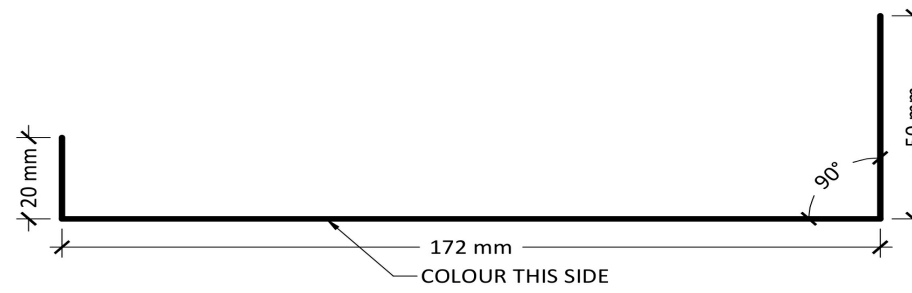
Signature:

John Ronaldson

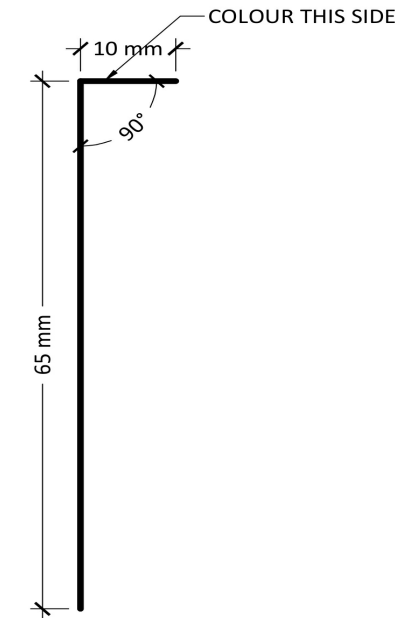
Date: 06/10/22



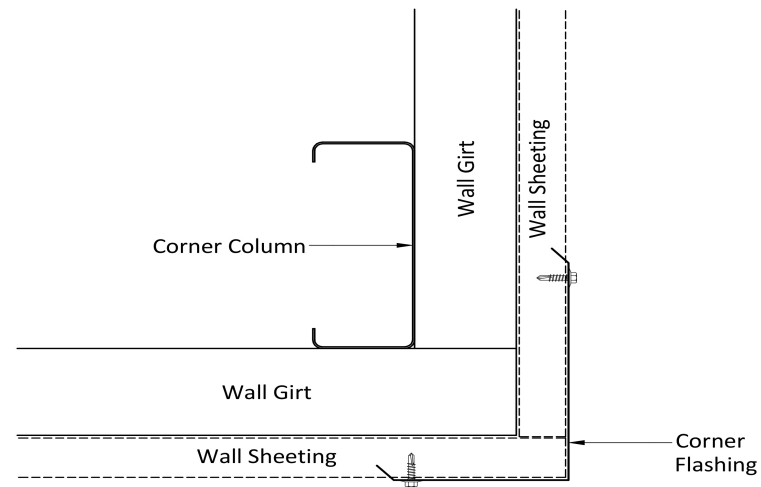
Barge Flashing XF10 - CT - Sheeting Gable



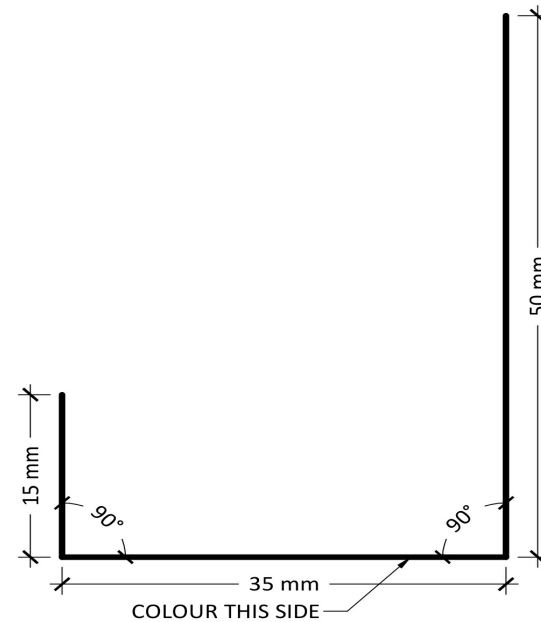
RD Head Cover Flashing
XF118



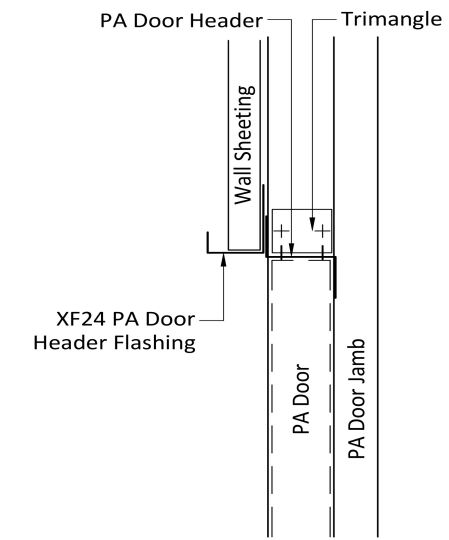
RD Side - Cover Flash
XF18



Corner Flashing XF21 - CT



PA Door - RD Header Flashing
XF24



PA Door Header Flashing - XF24

Purchaser Name: John Guest

Site Address: 27 Short St Mudgee NSW 2850 Australia

Drawing # TMJD223016 - 9

Print Date: 06/10/22

Flashing Fixing Details

Not to Scale
Page 1 of 2
© Copyright SteelxIP Pty Ltd

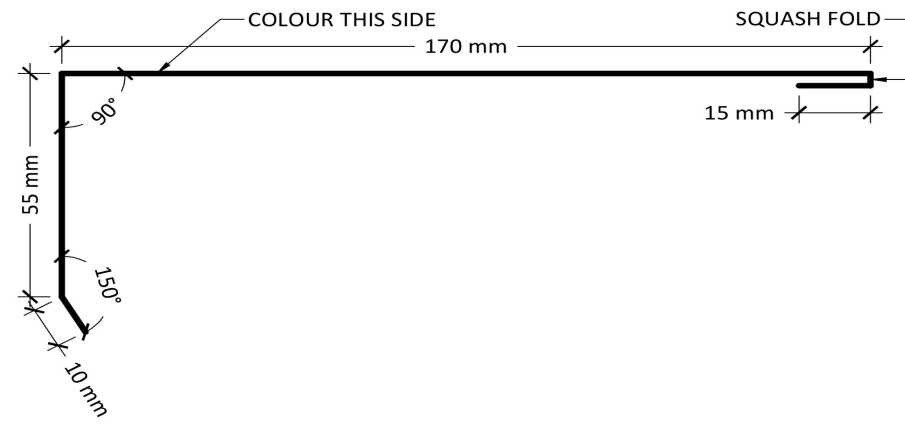
Seller: THE Shed Company Mudgee
S & K Lincoln Pty Ltd
Phone: (02) 6372 7755
Fax: (02) 6372 7700
Email: mudgeeadmin@theshedcompany.com.au

Apex Engineering Group PTY LTD
ACN 632 588 562
ME Aust. (Registered NER Structural) 5276680
QLD : RPEQ No. 24223; TAS : 185770492; VIC : PE0003848; N.T. : 303557ES;
Practising Professional Structural & Civil Engineers

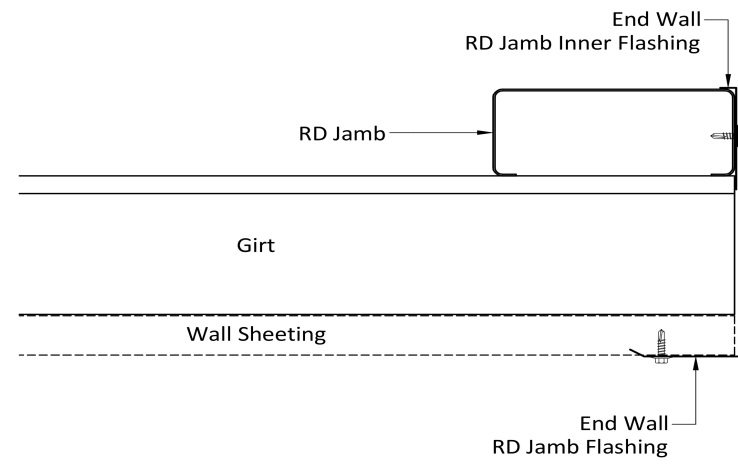
Signature:

John Ronaldson

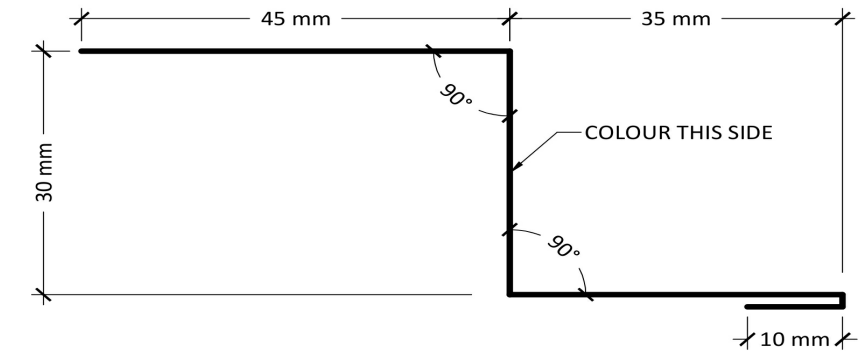
Date: 06/10/22



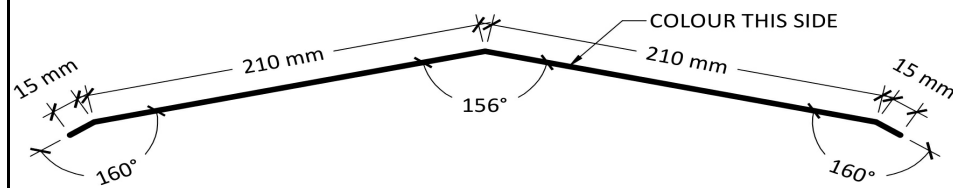
End Wall RD Jamb Flashing
XF49



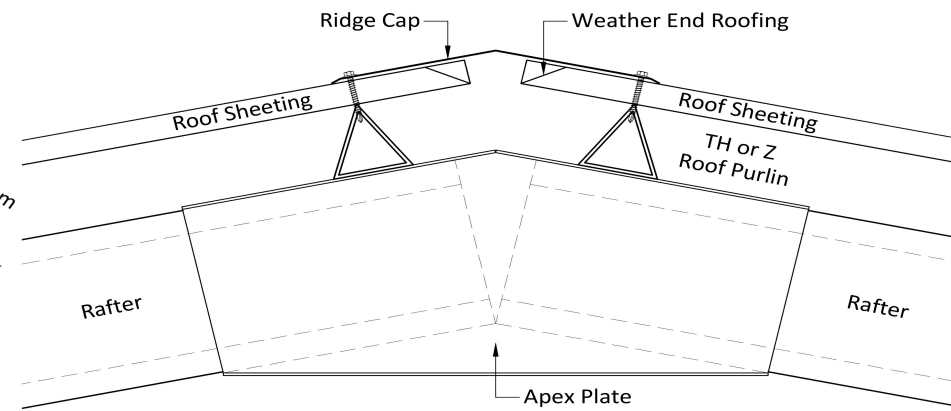
End Wall RD Jamb Flashing XF49/18



Vermin Flashing
XF69



12° Ridge Flashing (225)
XF83



Ridge Cap - XF83

Purchaser Name: John Guest

Site Address: 27 Short St Mudgee NSW 2850 Australia

Drawing # TMJD223016 - 9

Print Date: 06/10/22

Flashing Fixing Details

Not to Scale
Page 2 of 2
© Copyright SteelxIP Pty Ltd

Seller: THE Shed Company Mudgee
S & K Lincoln Pty Ltd
Phone: (02) 6372 7755
Fax: (02) 6372 7700
Email: mudgeeadmin@theshedcompany.com.au

Apex Engineering Group PTY LTD
ACN 632 588 562
ME Aust. (Registered NER Structural) 5276680
QLD : RPEQ No. 24223; TAS : 185770492; VIC : PE0003848; N.T : 303557ES;
Practising Professional Structural & Civil Engineers

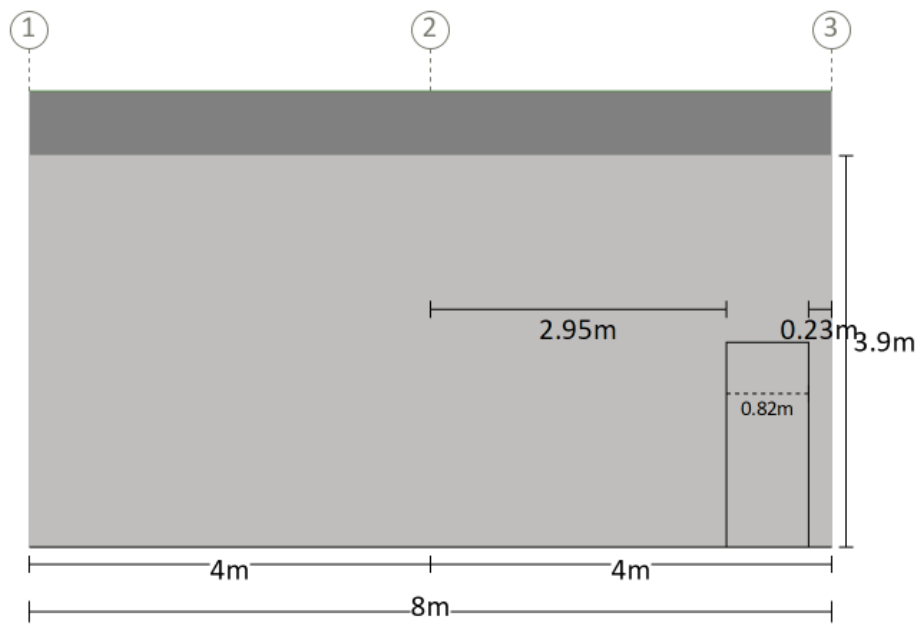
Signature:

John Ronaldson

Date: 06/10/22

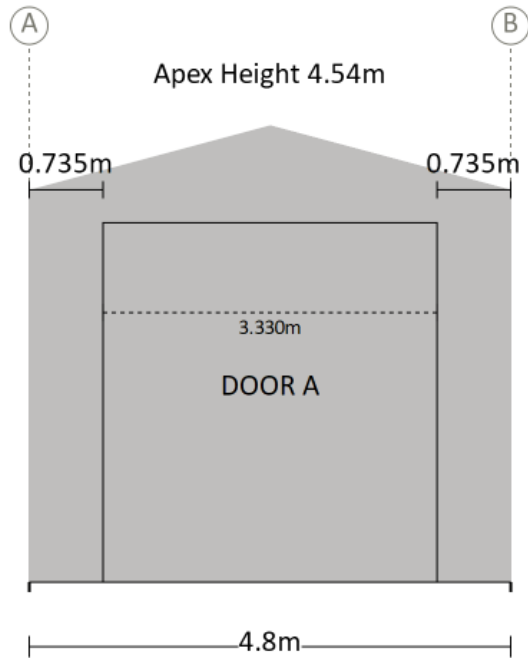
This setout is provided as a guide only. It is the responsibility of the concreter/erector to confirm that all dimensions are correct.

Right Side



Measurements are from the outside of end girts (end bays) and/or centre of columns (mid bays) to inside of component opening size.

Left End



Purchaser Name: John Guest

Site Address: 27 Short St Mudgee NSW 2850 Australia

Drawing # TMJD223016 - 10

Print Date: 06/10/22

Component Position

Not to Scale
Page 1 of 1
© Copyright Steelx IP Pty Ltd

Seller: THE Shed Company Mudgee
S & K Lincoln Pty Ltd
Phone: (02) 6372 7755
Fax: (02) 6372 7700
Email: mudgeeadmin@theshedcompany.com.au

Apex Engineering Group PTY.LTD
ACN 632 588 562
ME Aust. (Registered NER Structural) 5276680
QLD : RPEQ No. 24223; TAS : 185770492; VIC : PE0003848; N.T : 303557ES;
Practising Professional Structural & Civil Engineers

Signature:

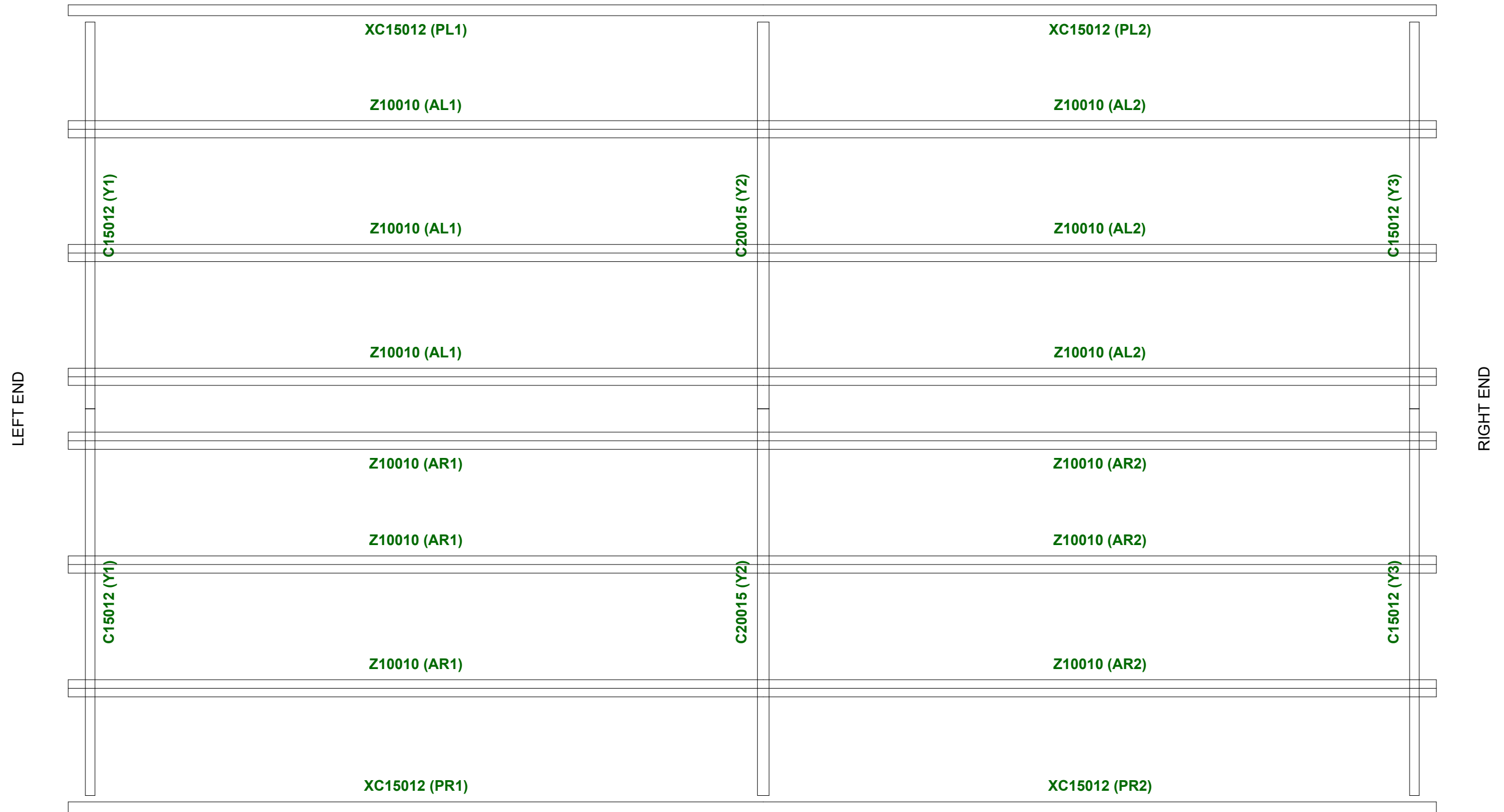
John Ronaldson

Date: 06/10/22


ROOF (TOP VIEW)

Notes:
 Brackets are not shown. Refer to Specification Details
 for more information. Opening members not labeled.

LEFT SIDE



RIGHT SIDE

Revision	Date	Initial	Purchaser Name: John Guest		Purlin and Girt Plan NOT TO SCALE Page 1 of 4 ©Copyright Steelx IP Pty Ltd	Seller: THE Shed Company Mudgee Name: S & K Lincoln Pty Ltd Phone: (02) 6372 7755 Fax: (02) 6372 7700 Email: mudgeeadmin@theshedcompany.com.au	Apex Engineering Group PTY LTD ACN 632 588 562 MIE Aust. (Registered NER Structural) 5276680 QLD : RPEQ No. 24223; TAS : 185770492; VIC : PE0003848; N.T : 303557ES; Practising Professional Structural & Civil Engineers Signature:  John Ronaldson Date: 06/10/22
			Site Address: 27 Short St Mudgee NSW 2850 Australia				
			Drawing # TMUD223016 - 11	Print Date: 6/10/2022			