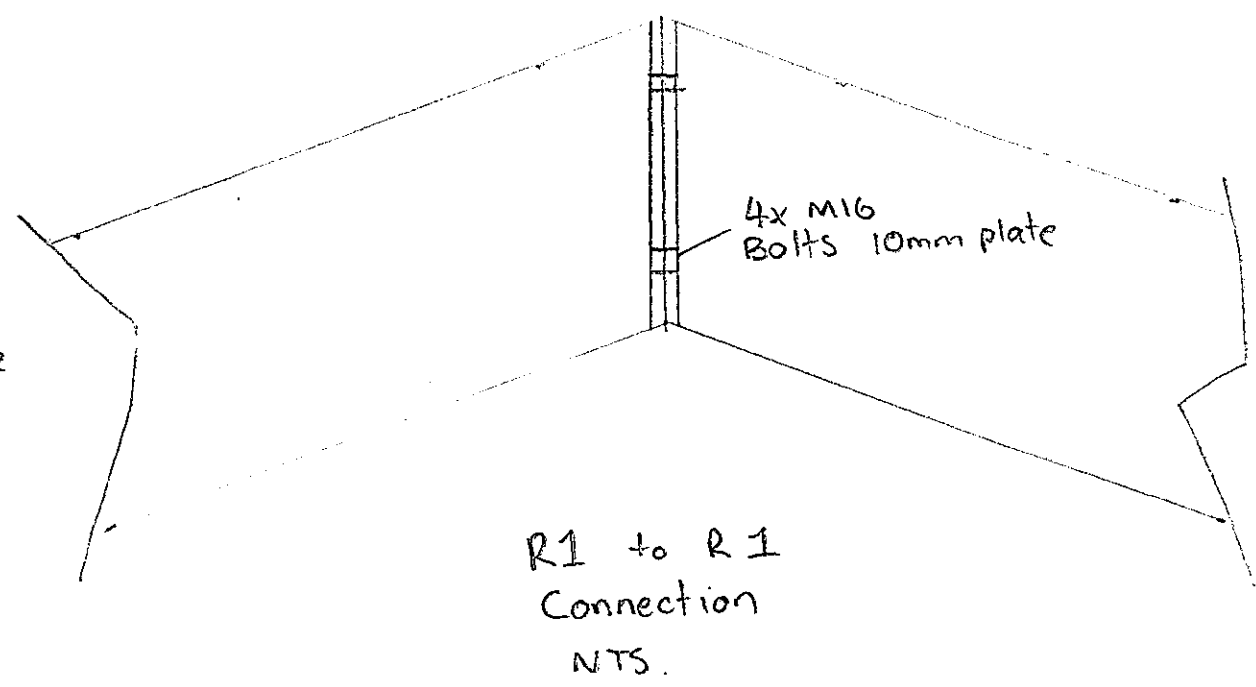
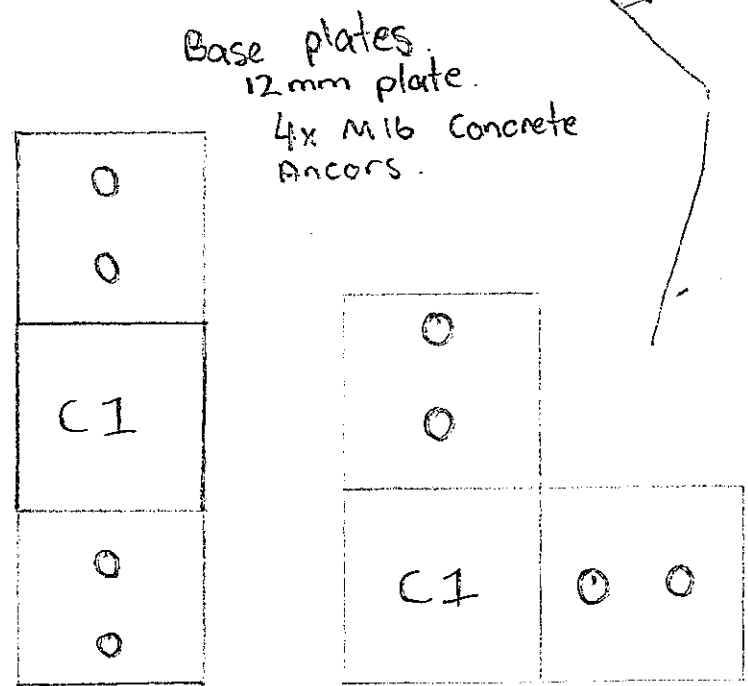
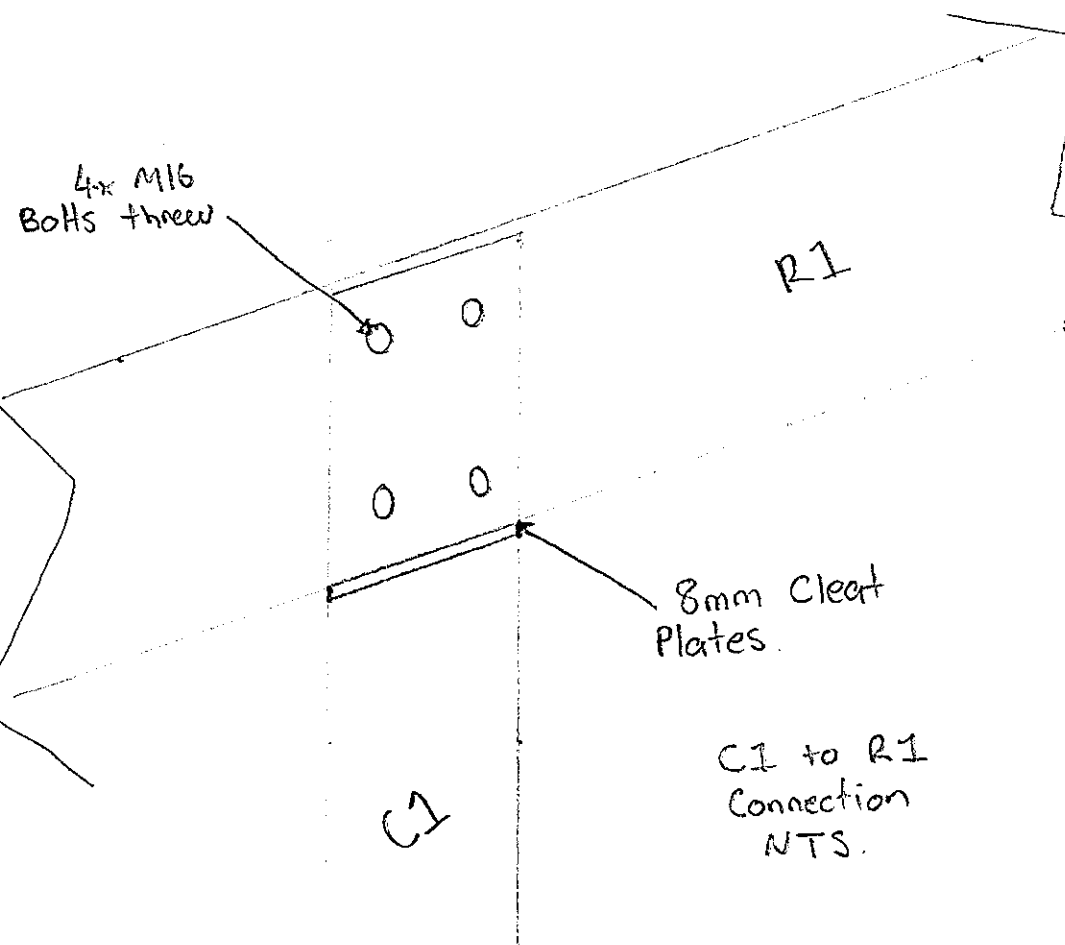
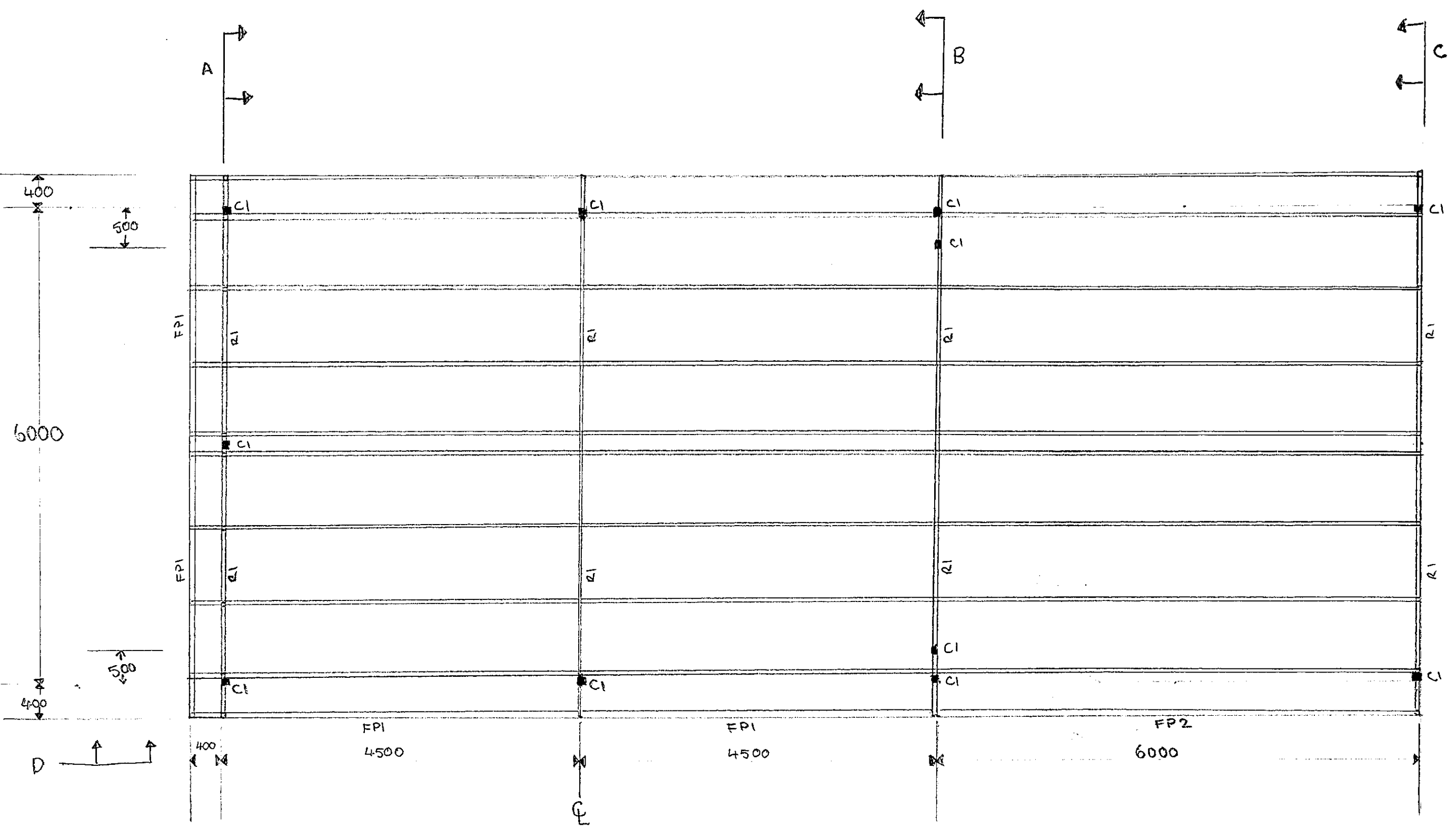
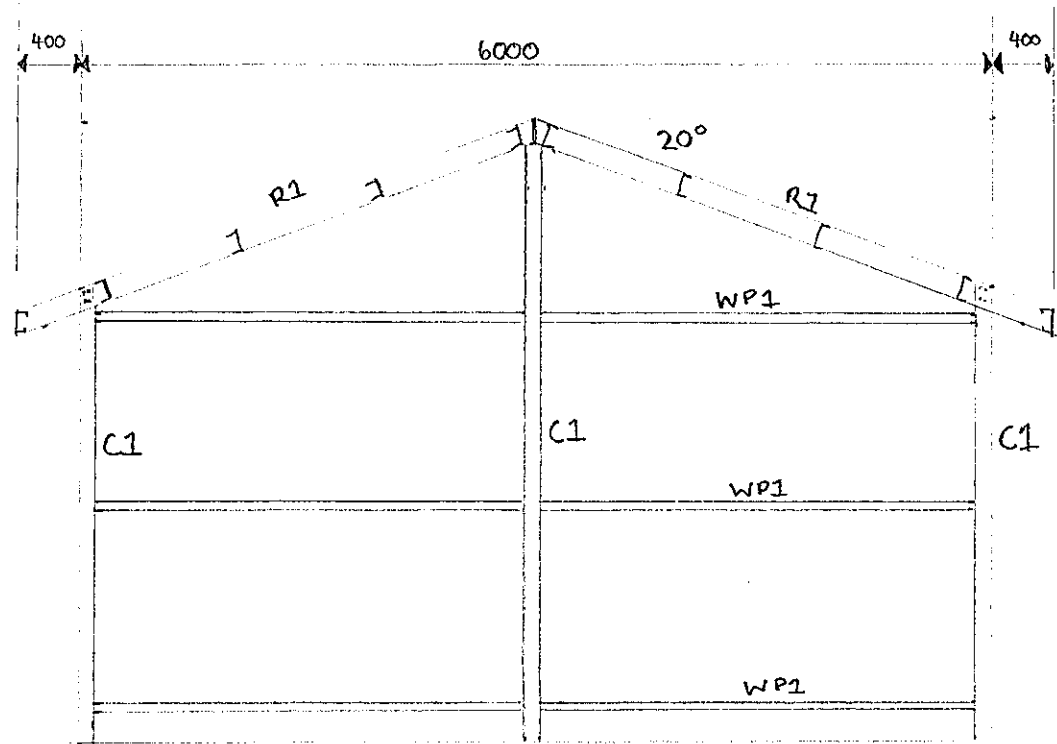


View D ↑ ↑ A3 Scale 1:50

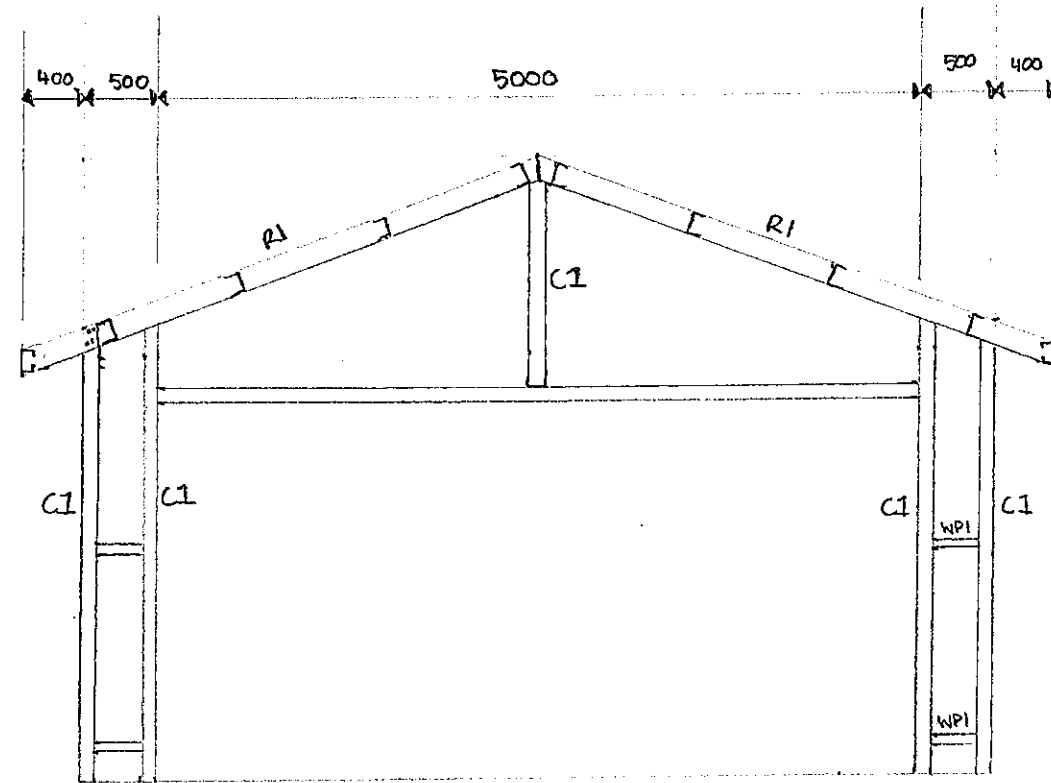
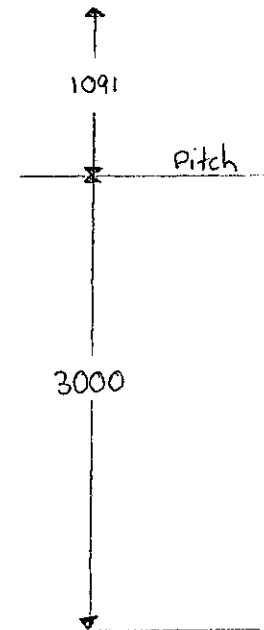




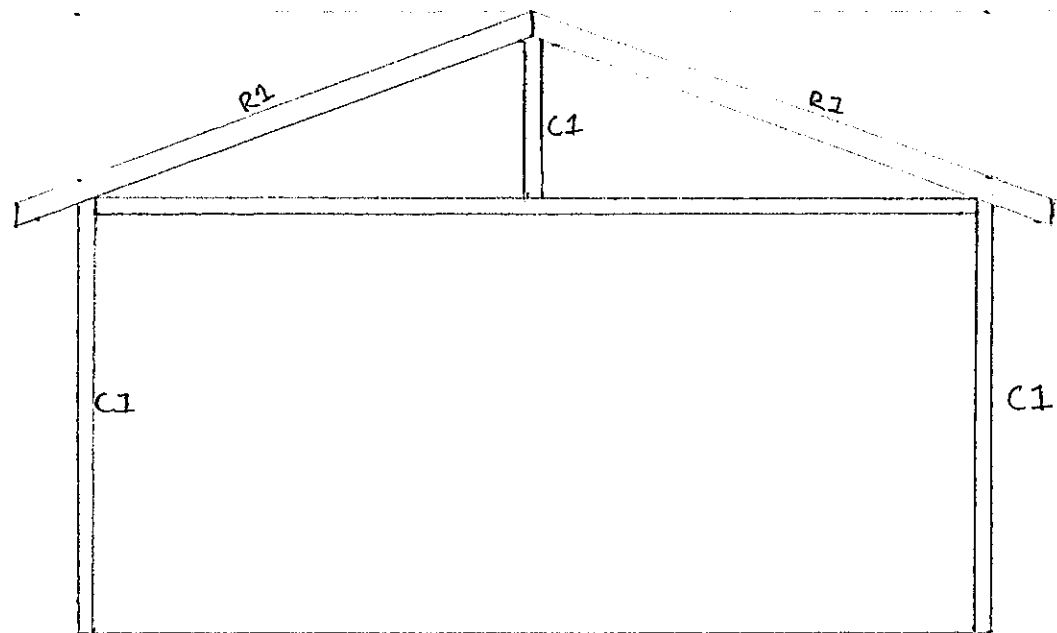
- C1 100x100x4 SMS.
- R1 150x50x4 RMS
- FPI C150:15 purlin with 1 row bridging
- FP2 C150:19 purlin with 2 rows bridging.



View ↑ A ↑

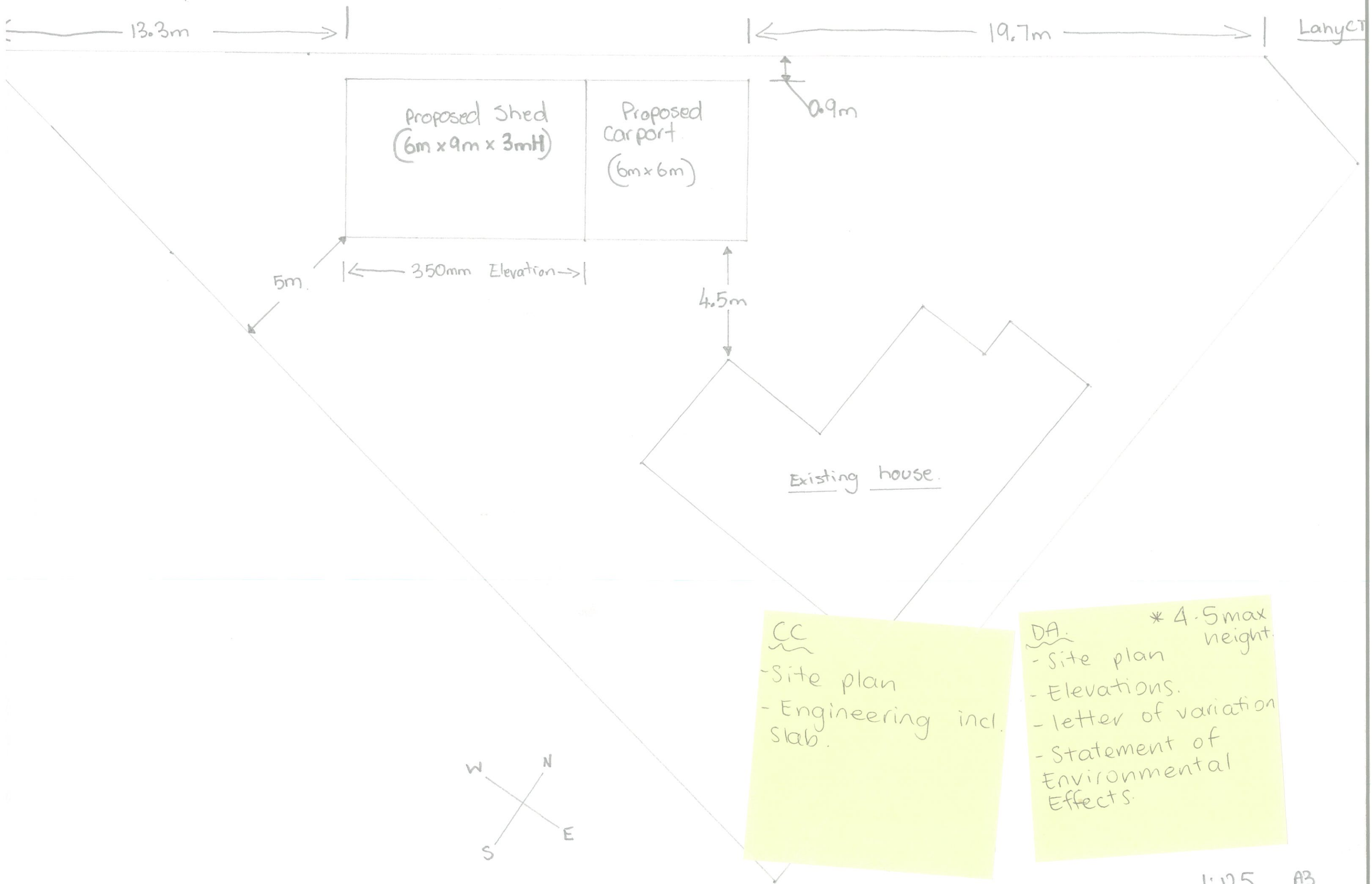


View ↑ B ↑



View ↑ C ↑

C1 100x100x4 SHS.
 R1 150x50x4 RHS.
 WP1 C100:15 purlin with 1 row bridging.



CC

- Site plan
- Engineering incl. Slab.

DA * 4.5max height.

- Site plan
- Elevations.
- letter of variation
- Statement of Environmental Effects.

