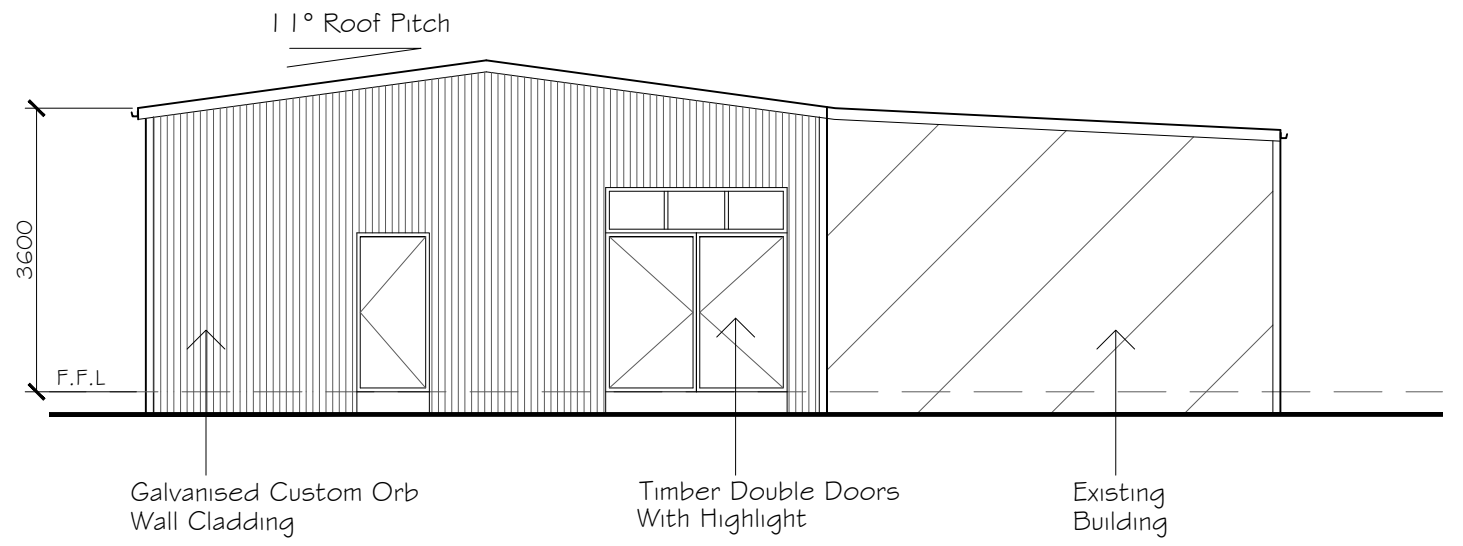
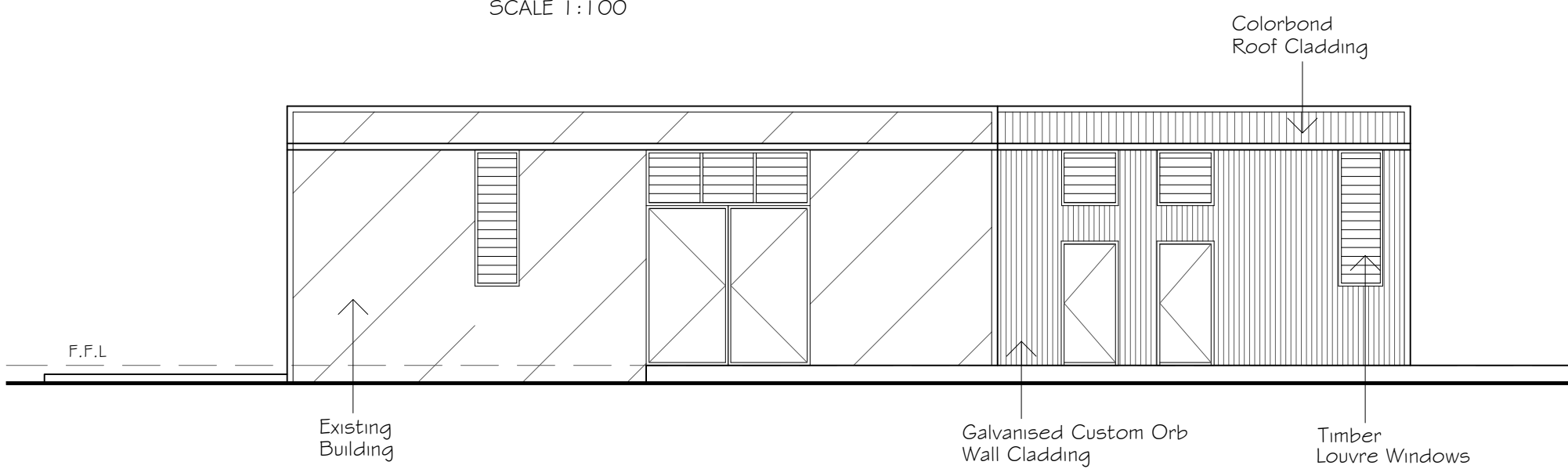


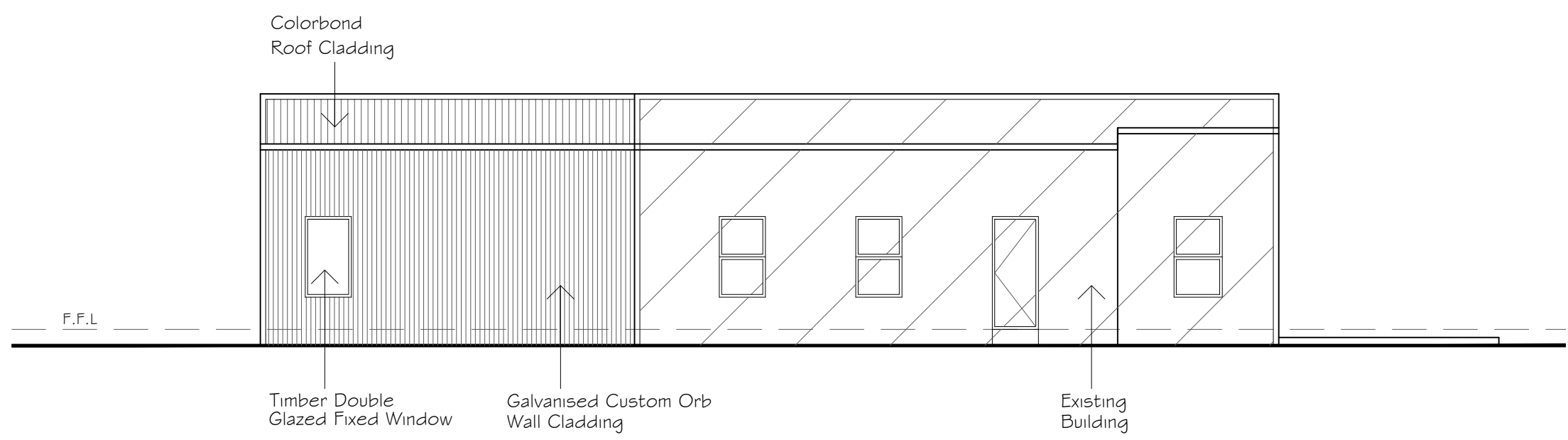
EAST ELEVATION
SCALE 1:100



WEST ELEVATION
SCALE 1:100



NORTH ELEVATION
SCALE 1:100



SOUTH ELEVATION
SCALE 1:100

C	JULY 2022	G.D.	SHED EXTENSION
B	NOV 2021	G.D.	DORR AND WINDOW REVISIONS
A	MAY 2021	G.D.	ISSUED FOR APPROVAL

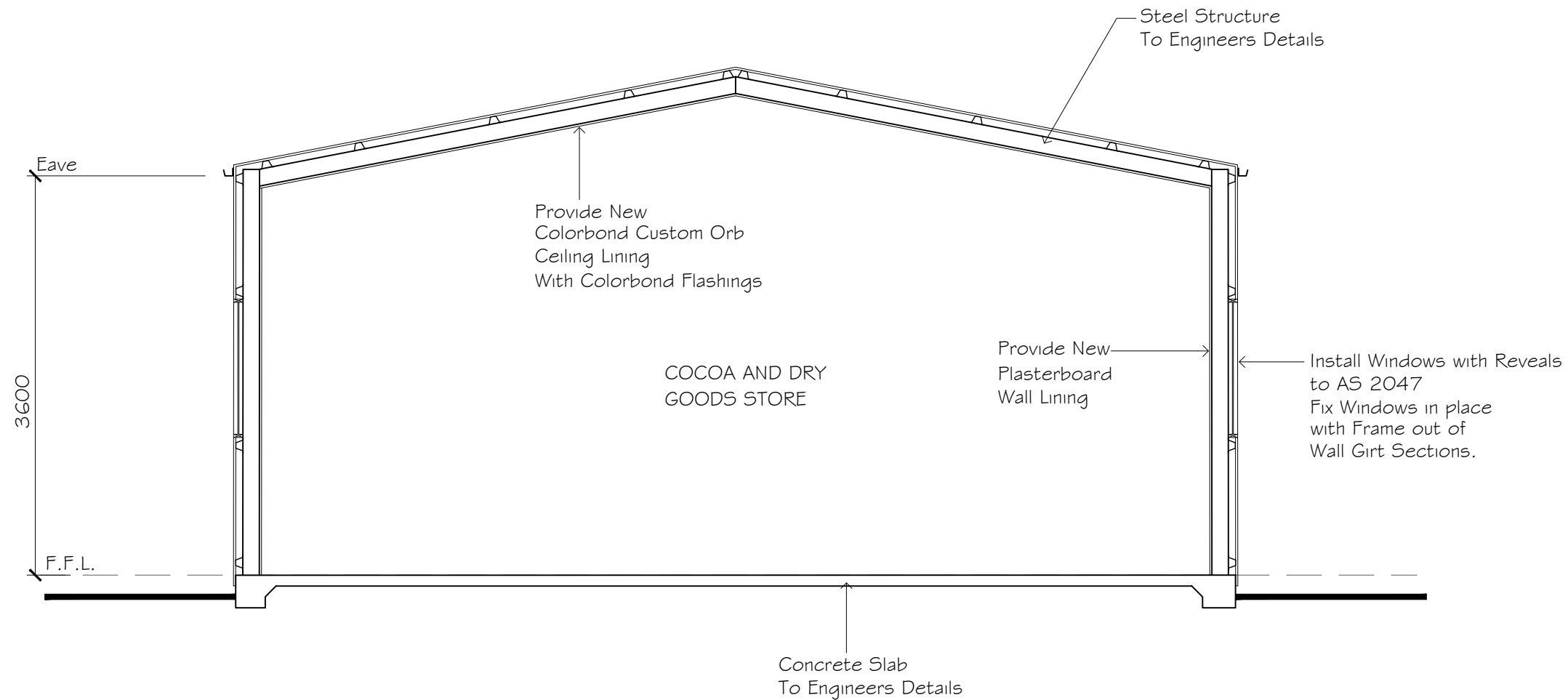
REV	DATE	BY	DESCRIPTION
-----	------	----	-------------

Giselle Denley
Drafting Services
giselle.denley@bigpond.com
0417 688 326
53 Hill Sixty Drive
Mudgee NSW 2850

CLIENT:
THEA AND LUKE SPENCER

TITLE:
PROPOSED ALTERATIONS TO EXISTING SHED
269 HENRY LAWSON DRIVE MUDGEE

SCALE: 1:100	FILE: 3714-A01	DWG No.	REV.
DRAWN: G.D.	DATE: MAY 2021	3714-A02	C
CKD: T.S.	DATE: MAY 2021		



TYPICAL SECTION
SCALE 1:50

B	JULY 2022	G.D.	COCOA AND DRY GOODS EXTENSION
A	MAY 2021	G.D.	ISSUED FOR APPROVAL
REV	DATE	BY	DESCRIPTION



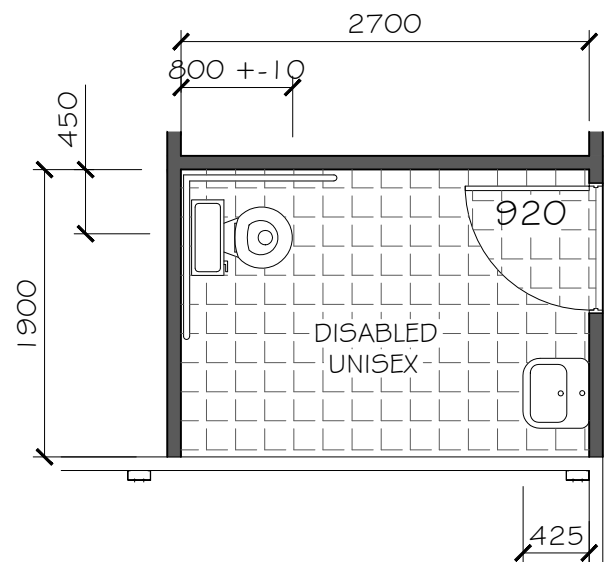
Giselle Denley
Drafting Services

giselle.denley@bigpond.com
0417 688 326
53 Hill Sixty Drive
Mudgee NSW 2850

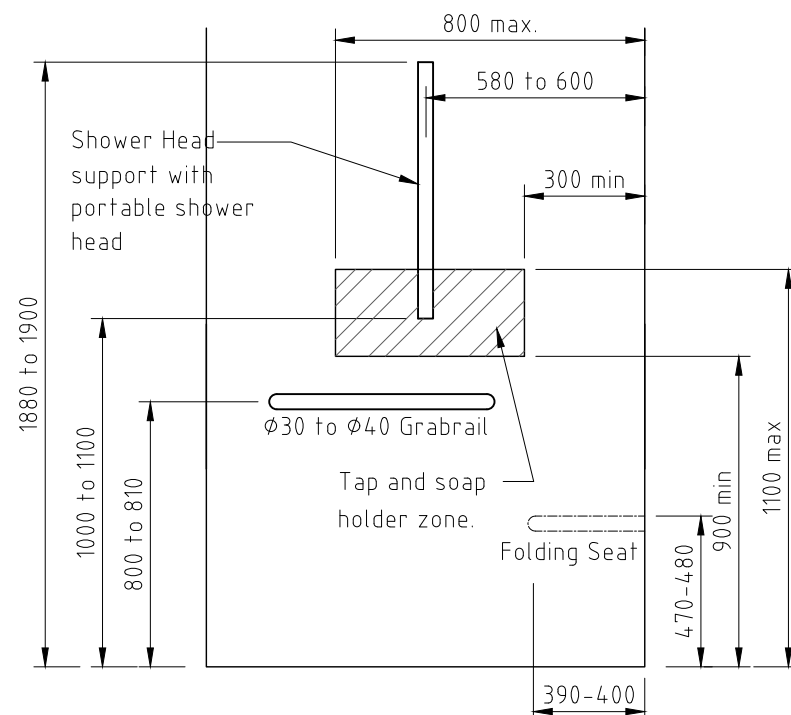
CLIENT:
THEA AND LUKE SPENCER

TITLE:
PROPOSED ALTERATIONS TO EXISTING SHED
269 HENRY LAWSON DRIVE MUDGEE

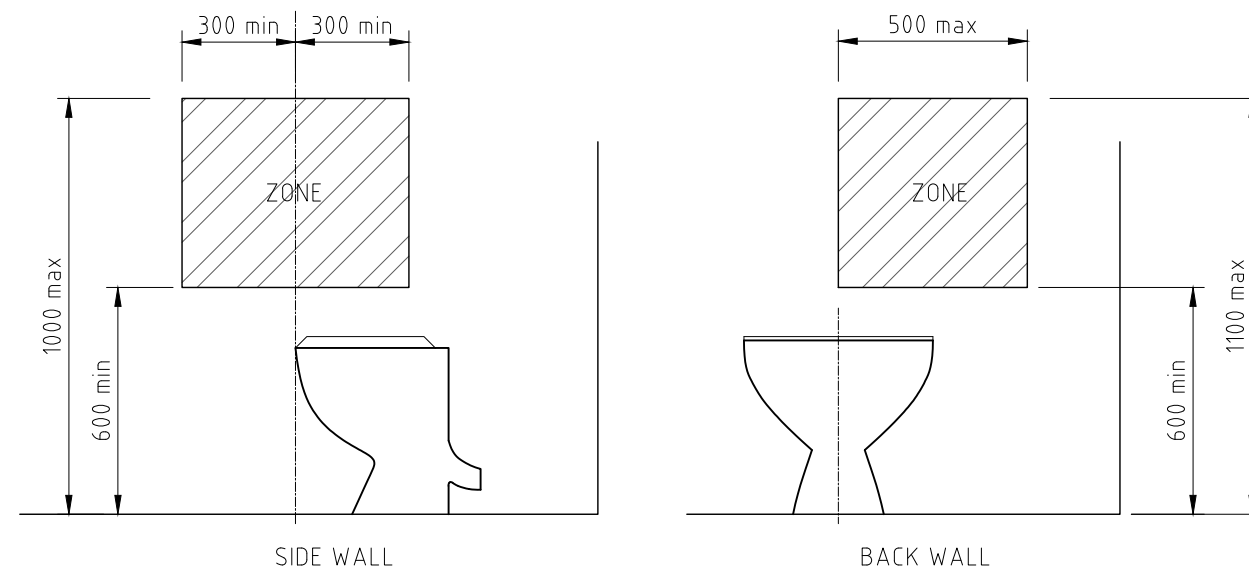
SCALE: 1:50	FILE: 3714-A01	DWG No.	REV.
DRAWN: G.D.	DATE: MAY 2021	3714-A03	B
CKD: T.S.	DATE: MAY 2021		



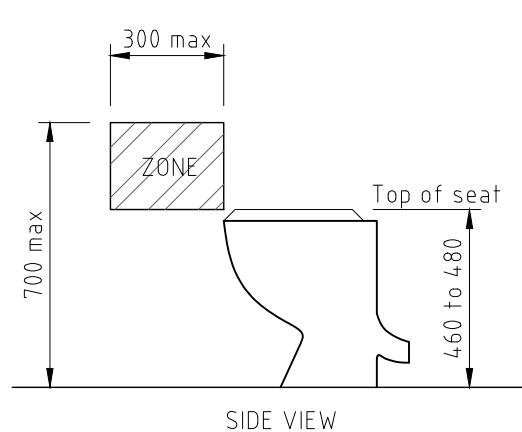
DISABLED AMENITIES FLOOR PLAN
SCALE 1:50



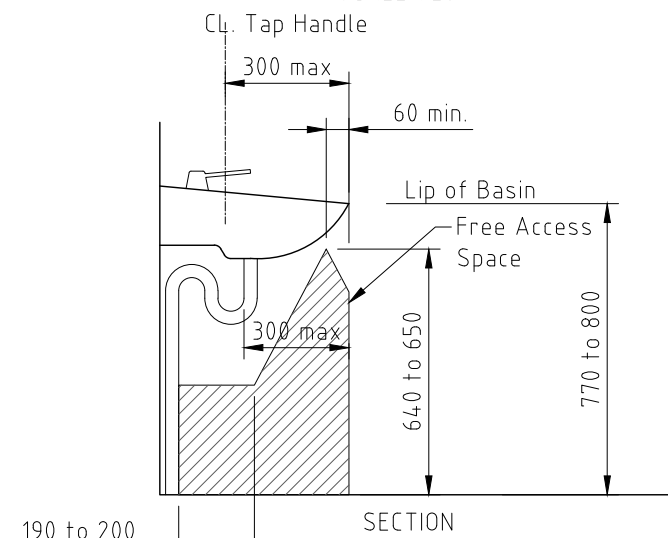
SHOWER RECESS FITTINGS
SCALE 1:20



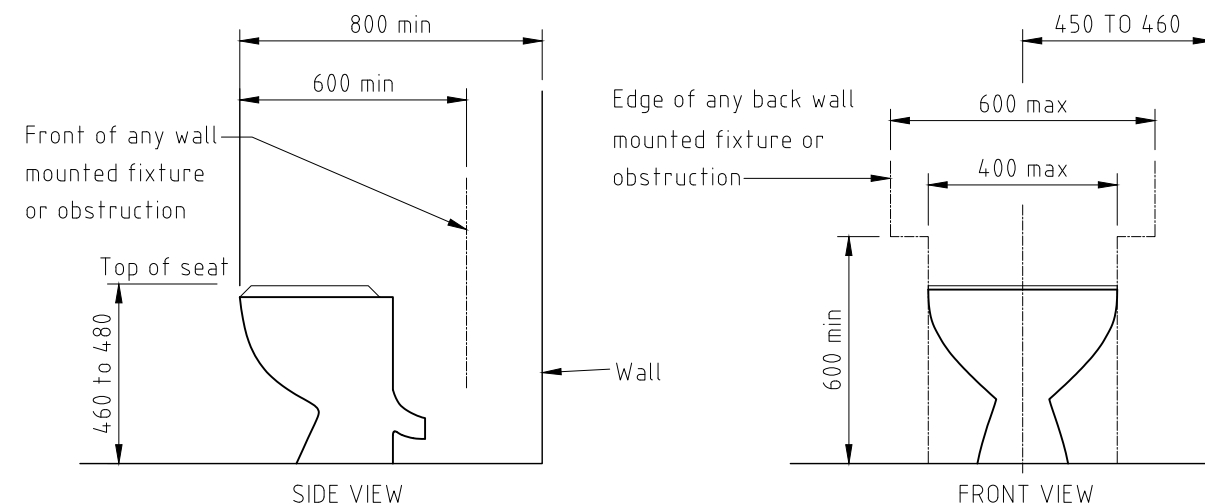
ZONE FOR FLUSHING CONTROL
SCALE 1:20



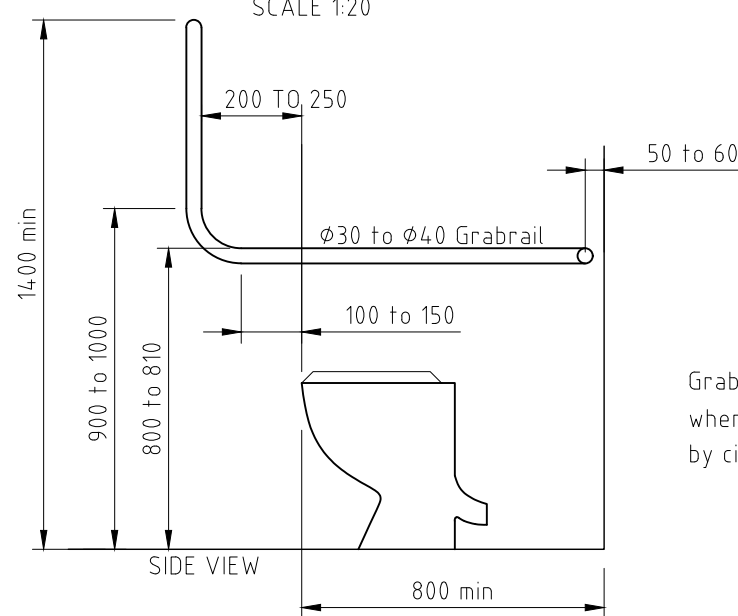
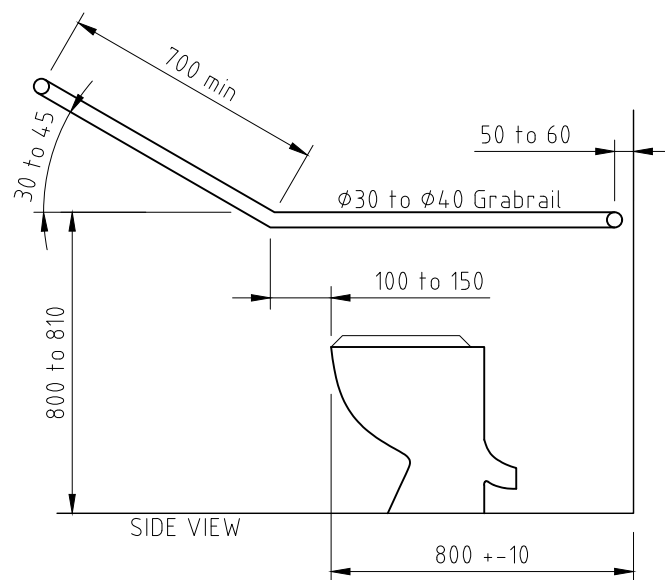
TOILET PAPER OUTLET
SCALE 1:20



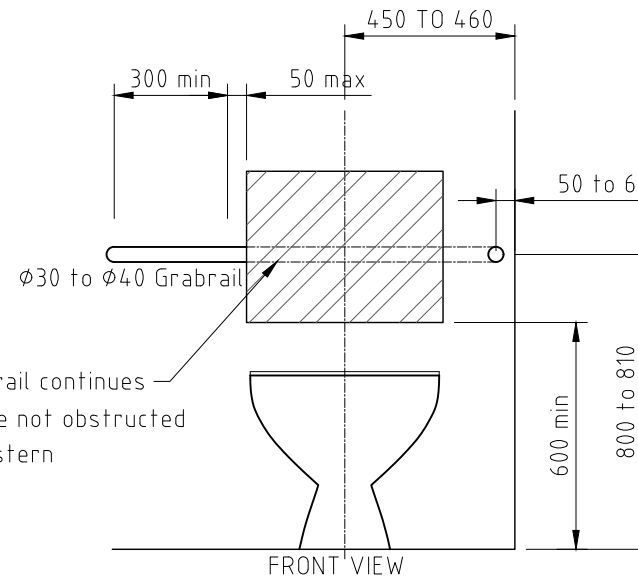
WASHBASIN OBSTRUCTION LIMIT
SCALE 1:20




WATER CLOSET PAN CLEARANCES, SEAT HEIGHT & SEAT WIDTH
SCALE 1:20



POSITIONS OF GRABRAILS IN WATER CLOSETS
SCALE 1:20



A	JULY 2022	G.D.	ISSUED FOR APPROVAL
REV	DATE	BY	DESCRIPTION
 Giselle Denley Drafting Services giselle.denley@bigpond.com 0417 688 326 53 Hill Sixty Drive Mudgee NSW 2850			

CLIENT: THEA AND LUKE SPENCER			
TITLE: PROPOSED VISITOR TASTING AND SALES 269 HENRY LAWSON DRIVE MUDGEE			
SCALE: 1:100	FILE: 3714-A01	DWG No.	REV.
DRAWN: G.D.	DATE: MAR 2022	3714-A05	A
CKD: T.S.	DATE: MAR 2022		