

BUILDING AREAS

LAND AREA LOT 5 = 3953 m²
 PROPOSED BUILDINGS = 864 m²

GENERAL LANDSCAPING INFORMATION

1. Small Shrubs to 3m High

Bottlebrush	Callistemon Paludosus
Rosemary Grevillea	Grevillea Rosmannifolia
Bird Beak Nettlewood	Hakea Orthonycha
Pink Tea Tree	Leptospermum Squarrosom
Scarlet Honey Myrtle	Melaleuca Fulgens

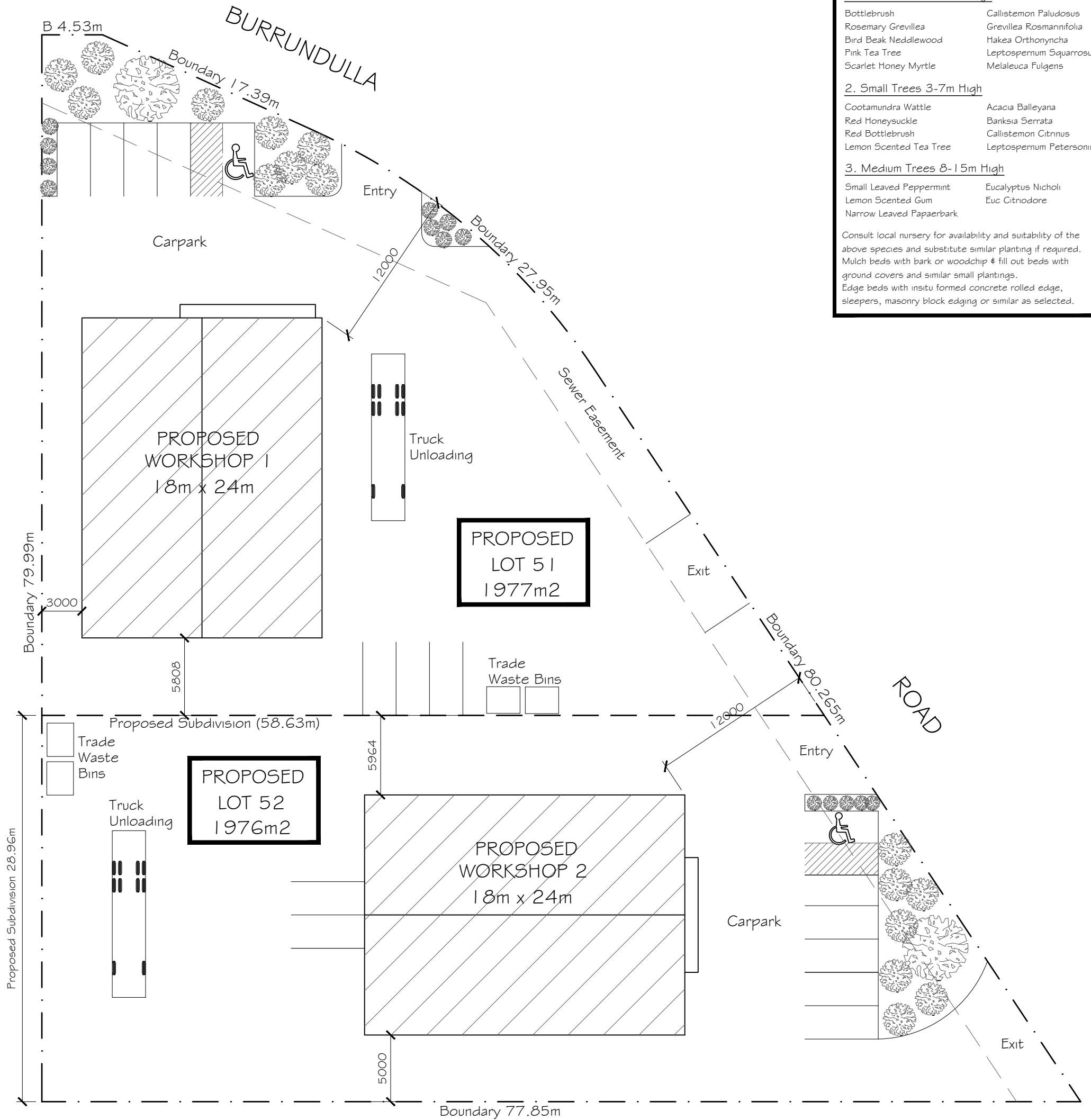
2. Small Trees 3-7m High

Cootamundra Wattle	Acacia Bailejana
Red Moneysuckle	Banksia Serrata
Red Bottlebrush	Callistemon Citnuss
Lemon Scented Tea Tree	Leptospermum Petersonii

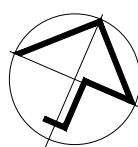
3. Medium Trees 8-15m High

Small Leaved Peppermint	Eucalyptus Nicholii
Lemon Scented Gum	Euc Citnodore
Narrow Leaved Papaerbark	

Consult local nursery for availability and suitability of the above species and substitute similar planting if required. Mulch beds with bark or woodchip & fill out beds with ground covers and similar small plantings. Edge beds with insitu formed concrete rolled edge, sleepers, masonry block edging or similar as selected.



SITE PLAN
 SCALE 1:300



LOT 5
 3953m²
 DP 1269918

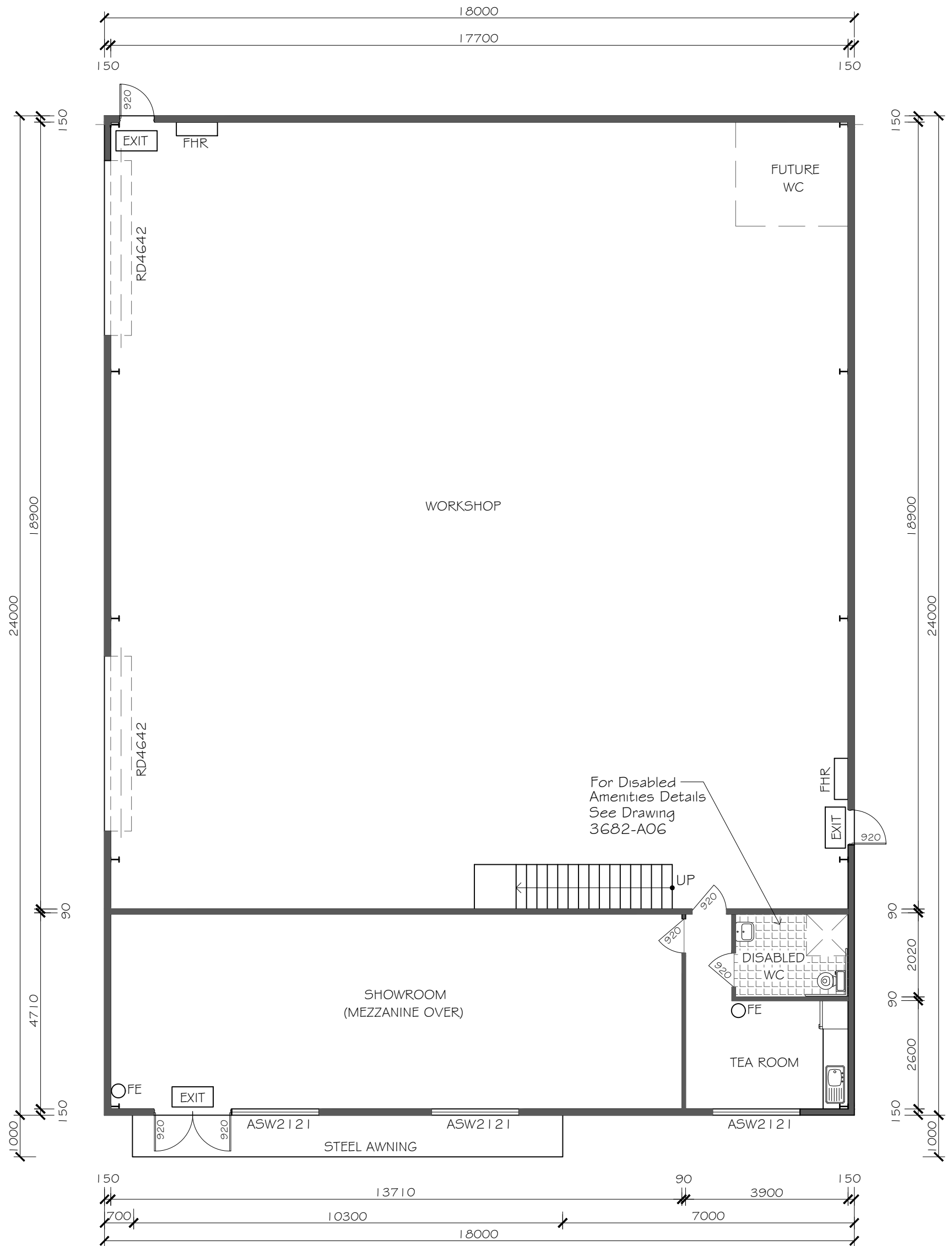
Giselle Denley
 Drafting Services
 giselle.denley@bigpond.com
 0417 688 326
 53 Hill Sixty Drive
 Mudgee NSW 2850

REV	DATE	BY	DESCRIPTION
A	MAY 2021	G.D.	ISSUED FOR APPROVAL

CRAIG BUTLER

**INDUSTRIAL DEVELOPMENT & SUBDIVISION
 LOT 5 BURRUNDULLA ROAD MUDGEE**

SCALE: 1:300	FILE: 3682-A01	DWG No.	REV.
DRAWN: G.D.	DATE: MAY 2021	3682-A01	A
CKD: D.B.	DATE: MAY 2021		



WORKSHOP 1 GROUND FLOOR PLAN
SCALE 1:100

LEGEND

- FHR 36m Fire Hose Reel
- FE Fire Extinguisher
- EXIT Illuminated Exit Sign and Emergency Lighting

NOTE

Slab and Framing Details to Engineers Plans and Specifications.

Giselle Denley
Drafting Services

giselle.denley@bigpond.com
0417 688 326
53 Hill Sixty Drive
Mudgee NSW 2850

A	OCT 2021	G.D.	ISSUED FOR APPROVAL
REV	DATE	BY	DESCRIPTION

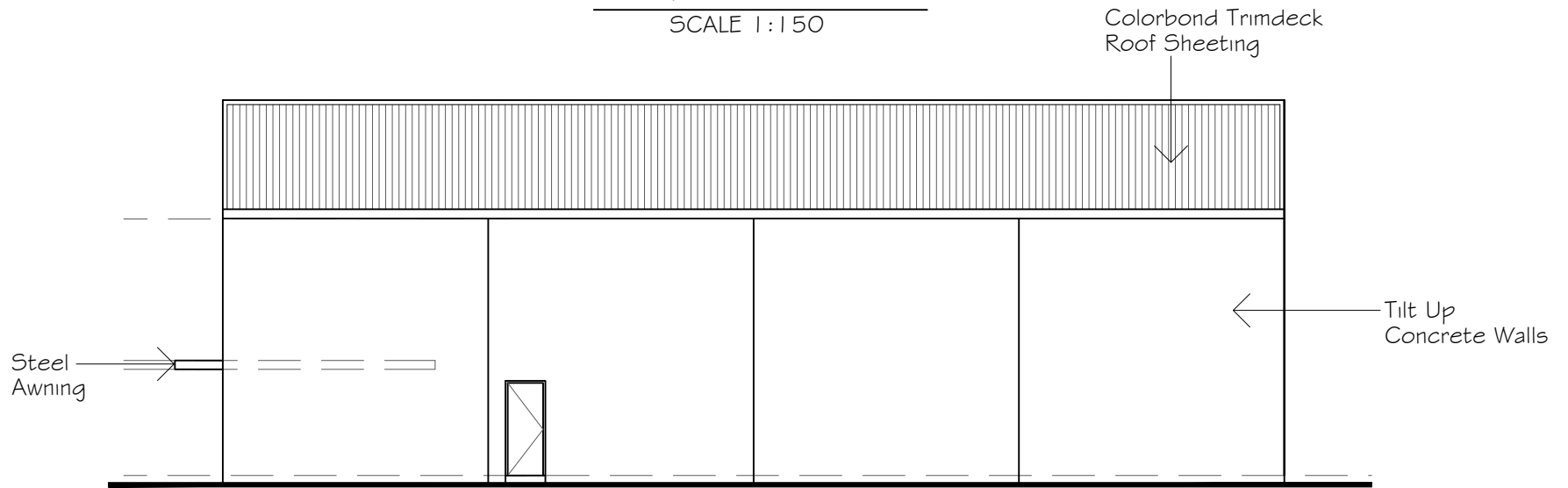
CRAIG BUTLER

**INDUSTRIAL DEVELOPMENT & SUBDIVISION
LOT 5 BURRUNDULLA ROAD MUDGEE**

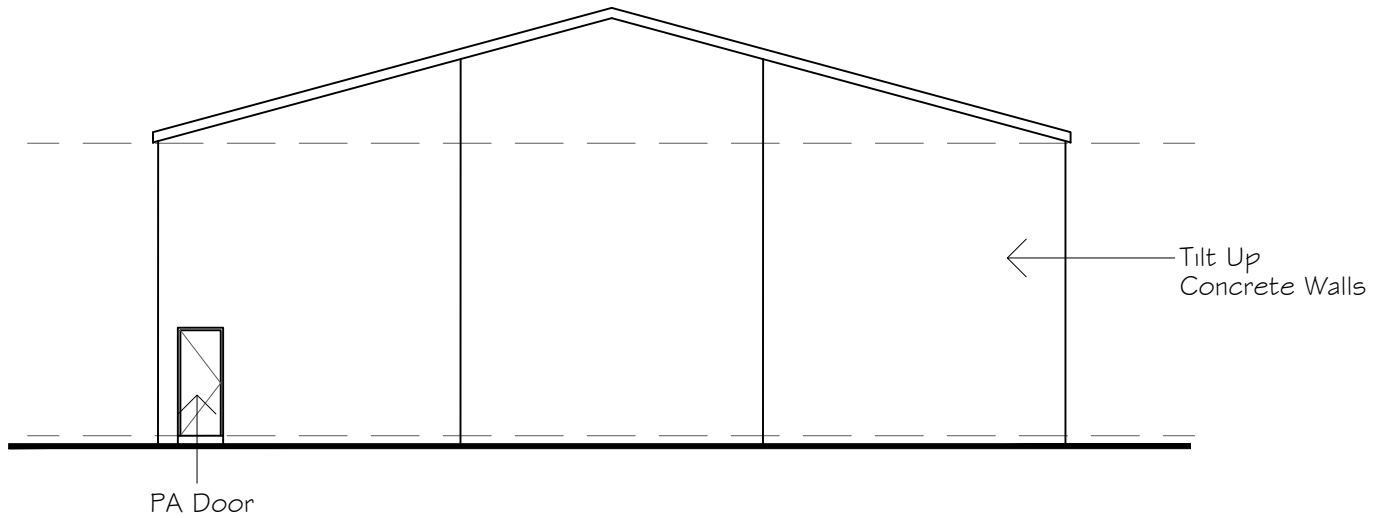
SCALE: 1:100	FILE: 3682-A01	DWG No.	REV.
DRAWN: G.D.	DATE: OCT 2021	3682-A02	A
CKD: D.B.	DATE: OCT 2021		



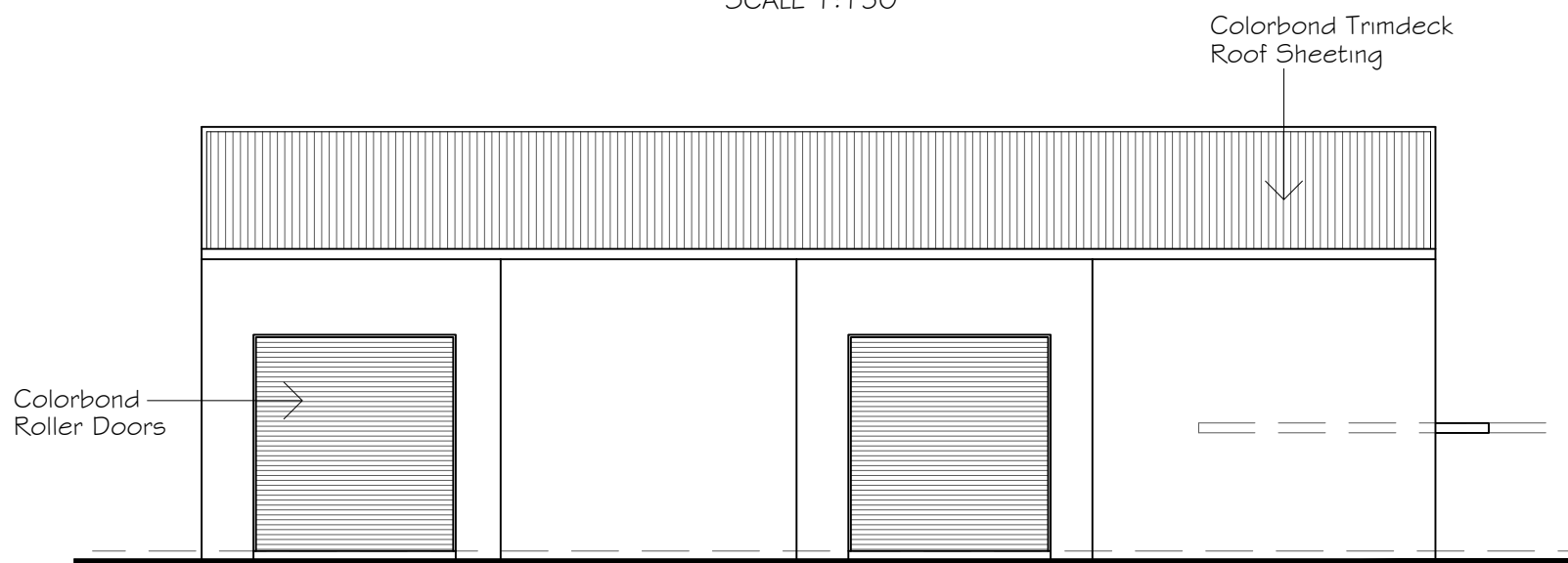
NORTH ELEVATION
SCALE 1:150



EAST ELEVATION
SCALE 1:150

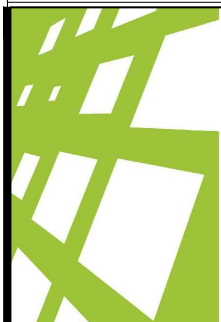


SOUTH ELEVATION
SCALE 1:150



WEST ELEVATION
SCALE 1:150

WORKSHOP 1 ELEVATIONS



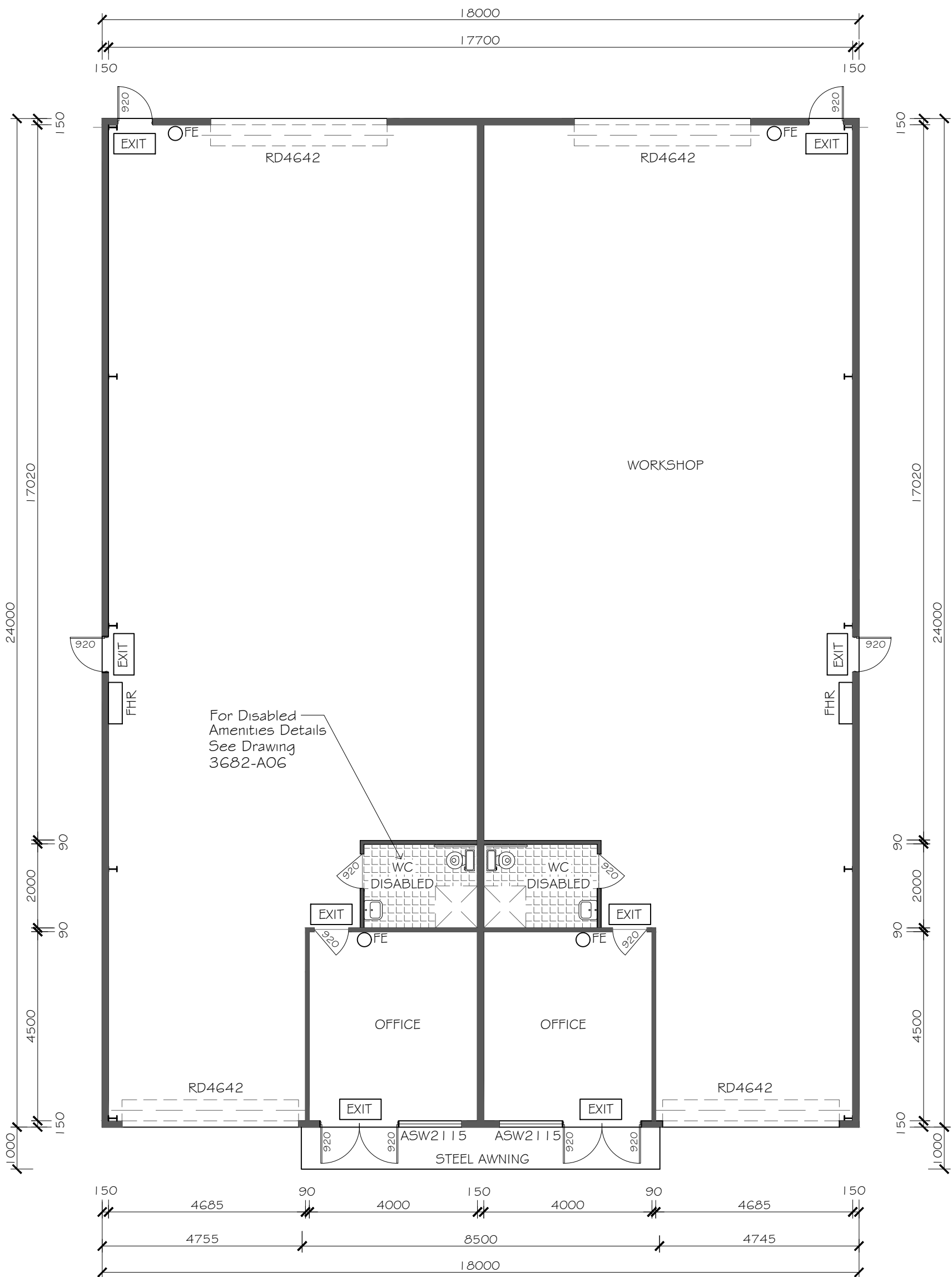
Giselle Denley
Drafting Services
giselle.denley@bigpond.com
0417 688 326
53 Hill Sixty Drive
Mudgee NSW 2850

REV	DATE	BY	DESCRIPTION
A	OCT 2021	G.D.	ISSUED FOR APPROVAL

CRAIG BUTLER

INDUSTRIAL DEVELOPMENT & SUBDIVISION
LOT 5 BURRUNDULLA ROAD MUDGEE

SCALE: 1:150	FILE: 3682-A01	DWG No.	REV.
DRAWN: G.D.	DATE: OCT 2021	3682-A03	A
CKD: D.B.	DATE: OCT 2021		



WORKSHOP 2 GROUND FLOOR PLAN
SCALE 1:100

LEGEND

- FHR 36m Fire Hose Reel
- FE Fire Extinguisher
- EXIT Illuminated Exit Sign and Emergency Lighting

NOTE
Slab and Framing Details to Engineers Plans and Specifications.

Giselle Denley
Drafting Services

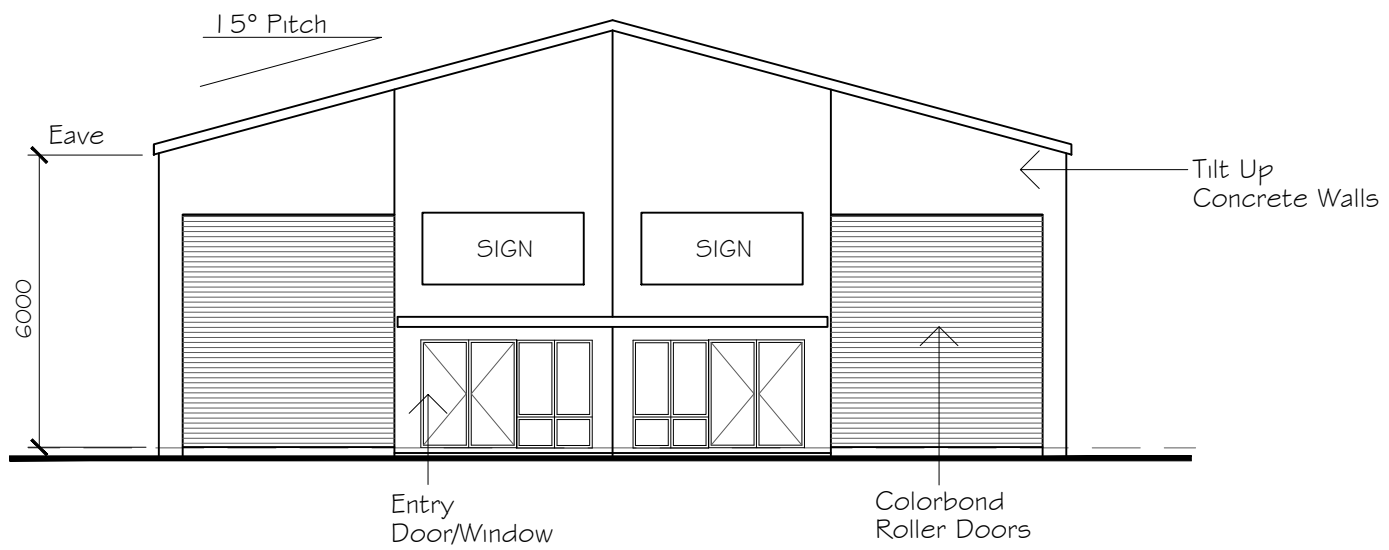
giselle.denley@bigpond.com
0417 688 326
53 Hill Sixty Drive
Mudgee NSW 2850

A	OCT 2021	G.D.	ISSUED FOR APPROVAL		
REV	DATE	BY	DESCRIPTION		

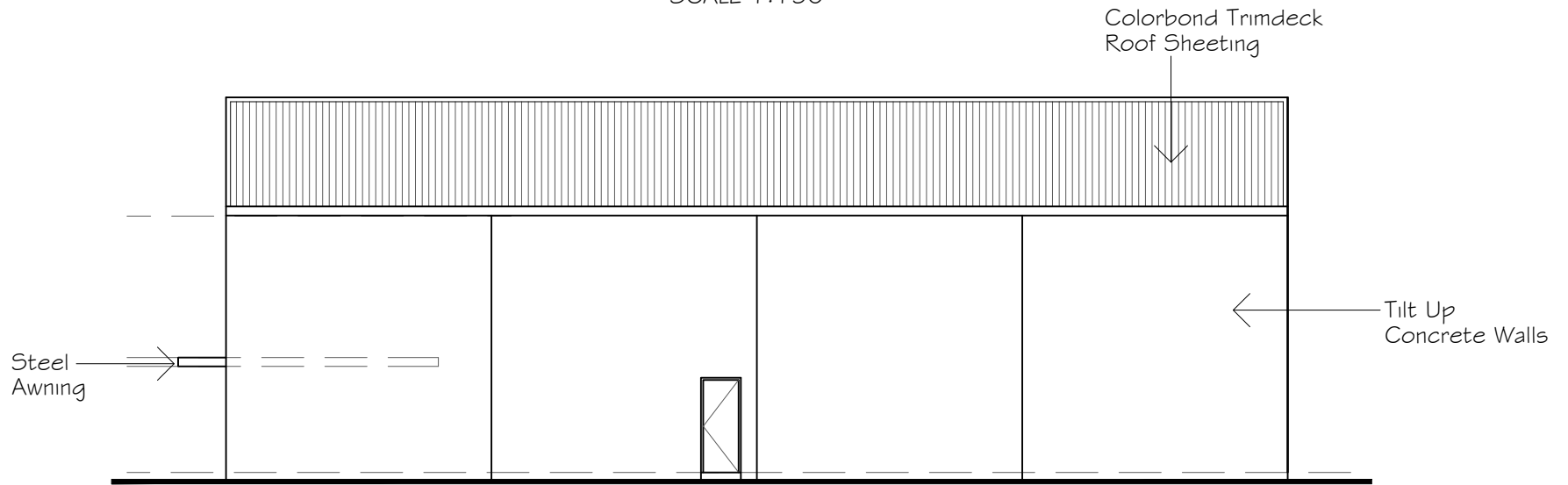
CRAIG BUTLER

**INDUSTRIAL DEVELOPMENT & SUBDIVISION
LOT 5 BURRUNDULLA ROAD MUDGEE**

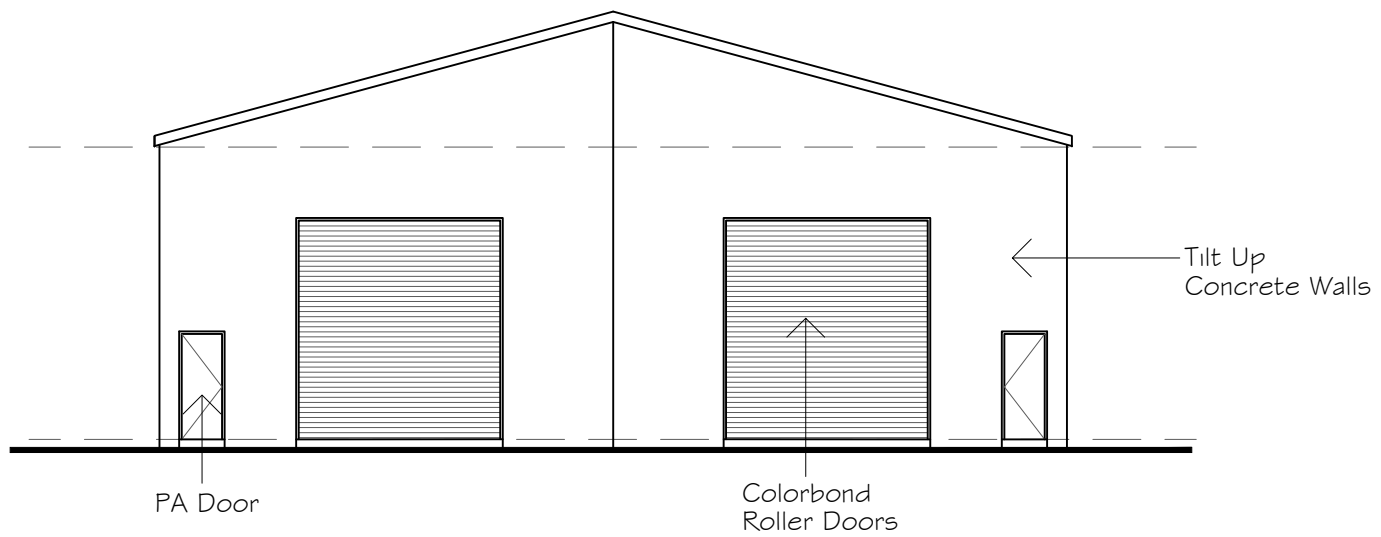
SCALE: 1:100	FILE: 3682-A01	DWG No.	REV.
DRAWN: G.D.	DATE: OCT 2021	3682-A04	A
CKD: D.B.	DATE: OCT 2021		



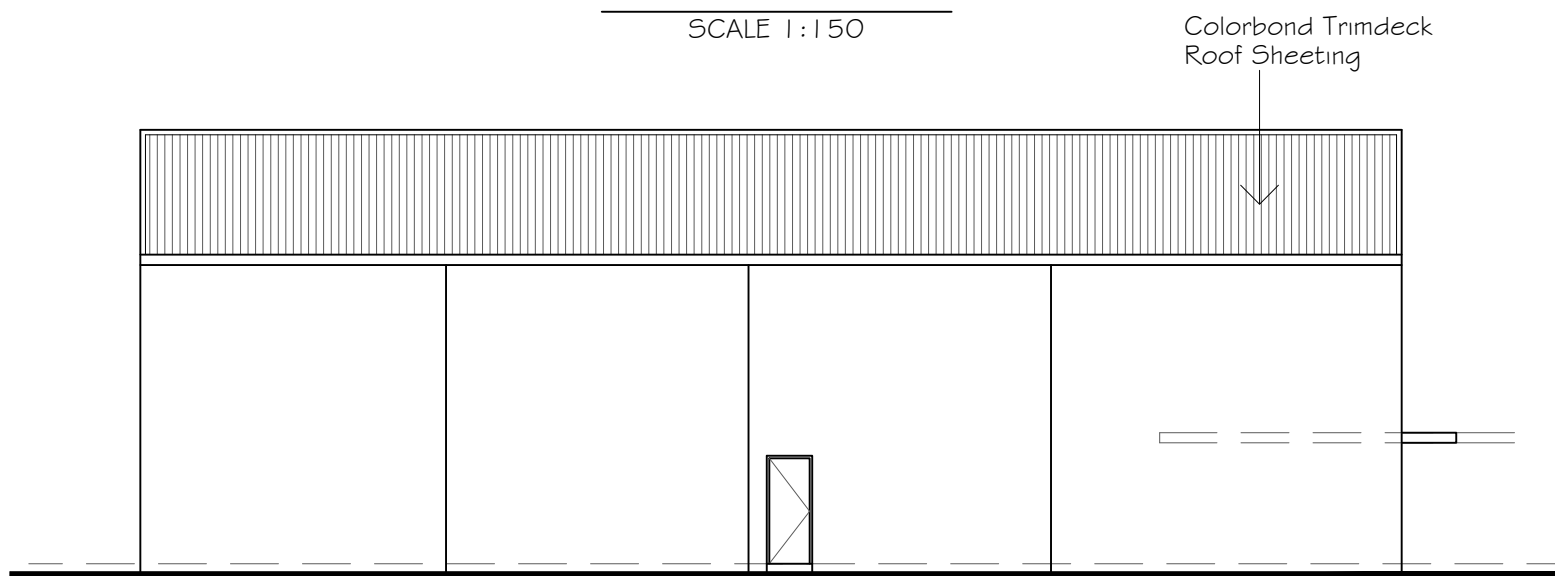
EAST ELEVATION
SCALE 1:150



NORTH ELEVATION
SCALE 1:150

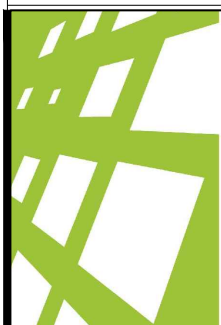


WEST ELEVATION
SCALE 1:150



SOUTH ELEVATION
SCALE 1:150

WORKSHOP 2 ELEVATIONS



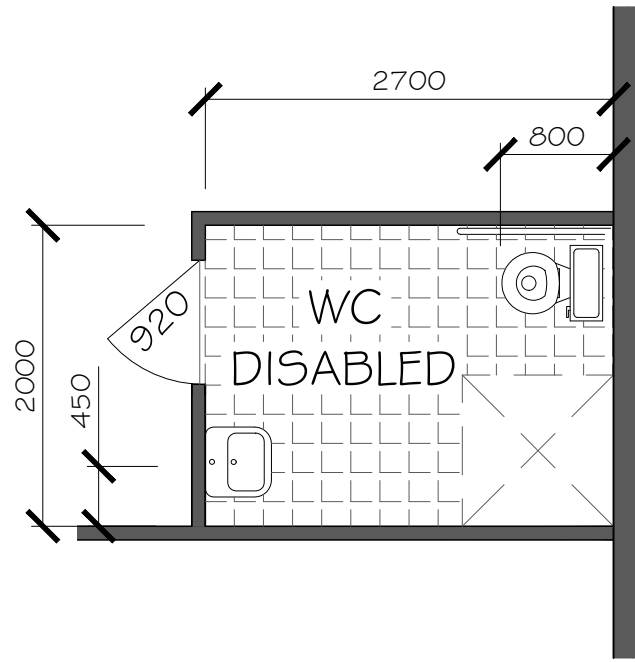
Giselle Denley
Drafting Services
giselle.denley@bigpond.com
0417 688 326
53 Hill Sixty Drive
Mudgee NSW 2850

REV	DATE	BY	DESCRIPTION
A	OCT 2021	G.D.	ISSUED FOR APPROVAL

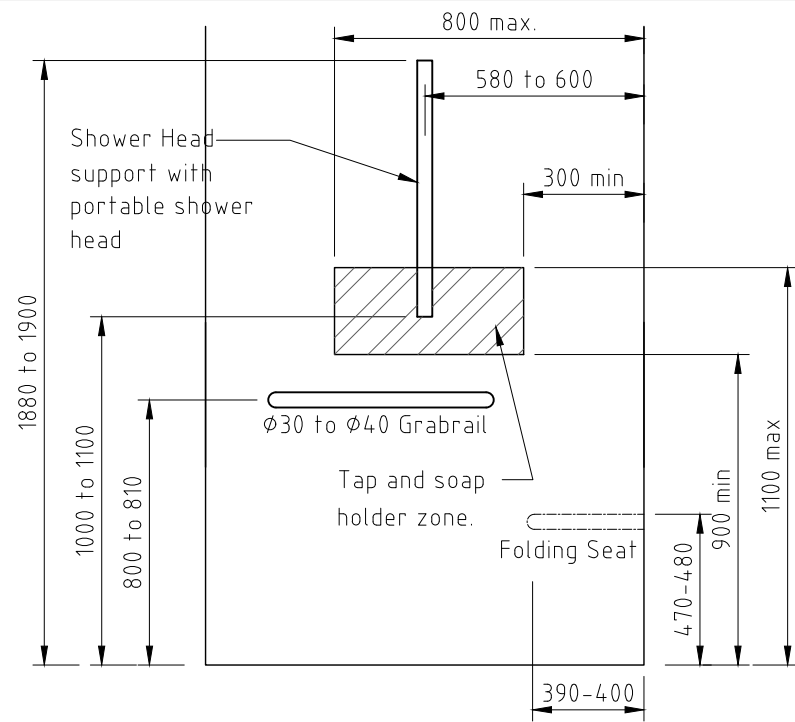
CRAIG BUTLER

INDUSTRIAL DEVELOPMENT & SUBDIVISION
LOT 5 BURRUNDULLA ROAD MUDGEE

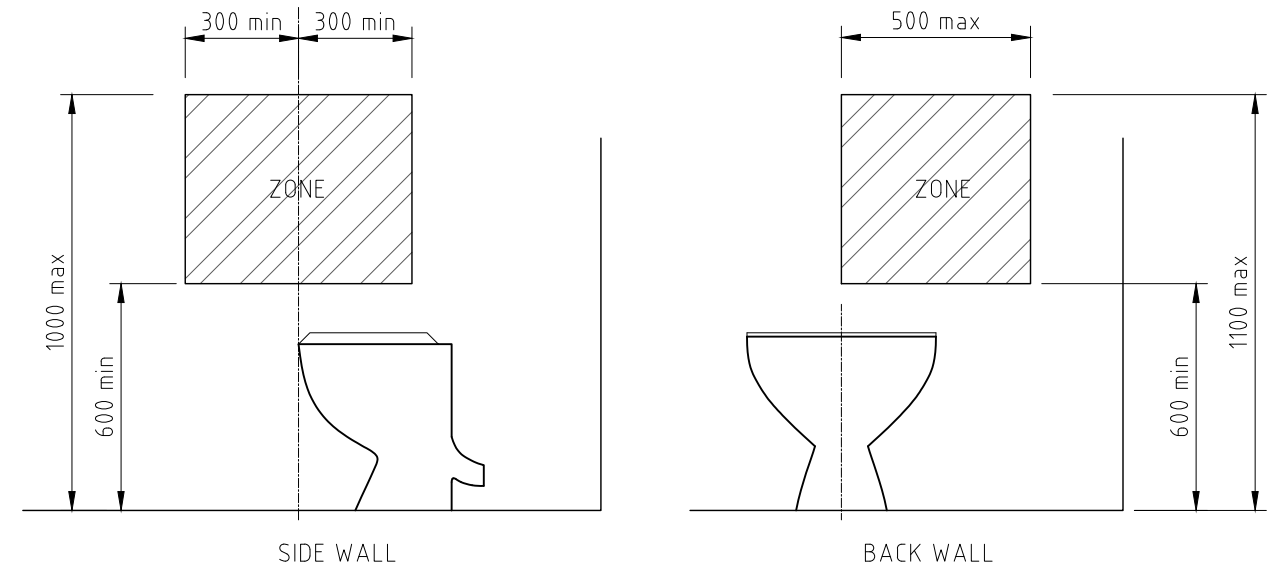
SCALE: 1:150	FILE: 3682-A01	DWG No.	REV.
DRAWN: G.D.	DATE: OCT 2021	3682-A05	A
CKD: D.B.	DATE: OCT 2021		



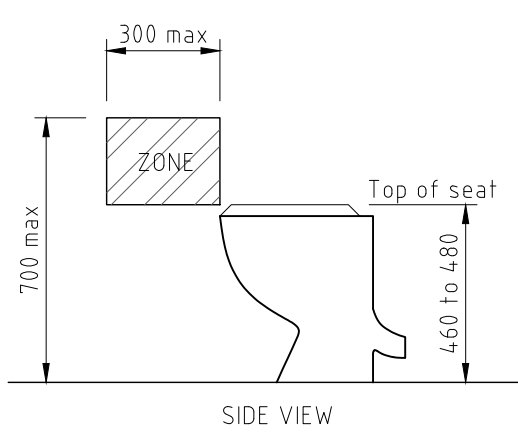
DISABLED AMENITIES FLOOR PLAN
SCALE 1:50



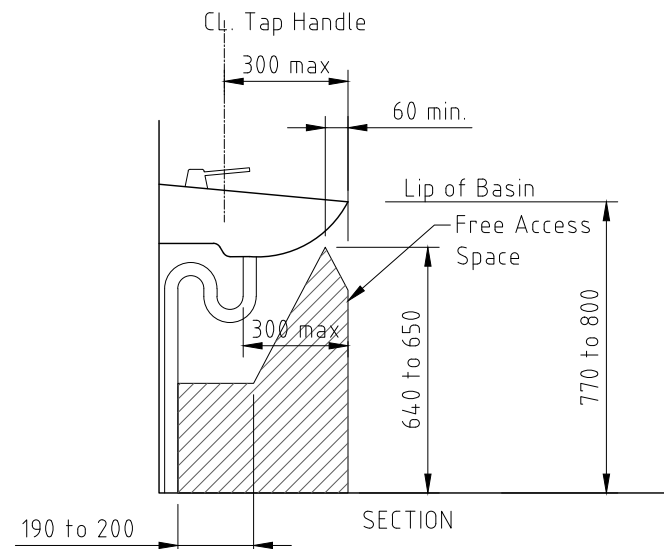
SHOWER RECESS FITTINGS
SCALE 1:20



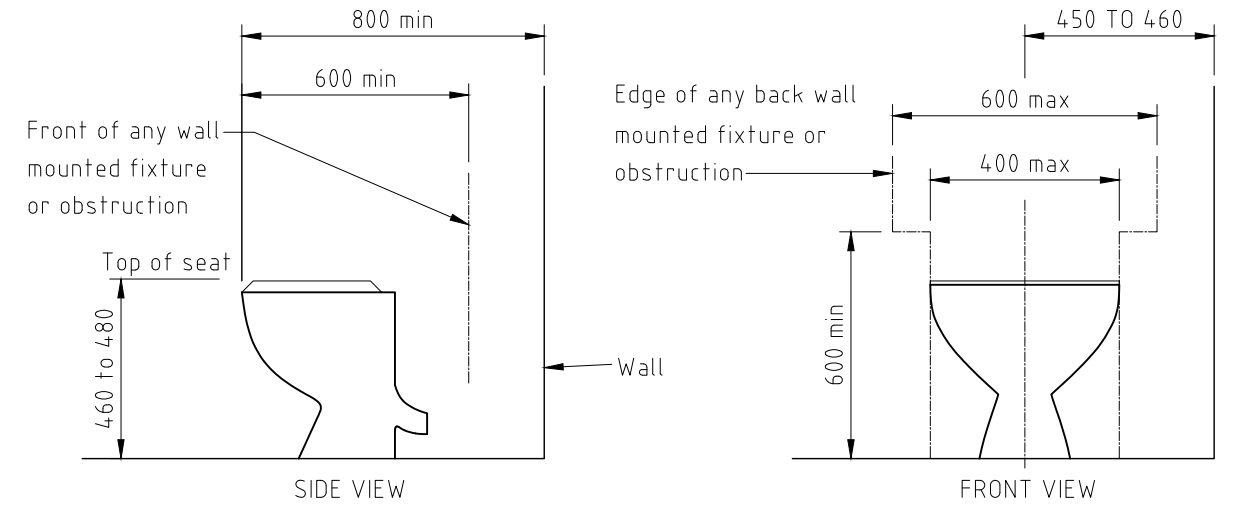
ZONE FOR FLUSHING CONTROL
SCALE 1:20



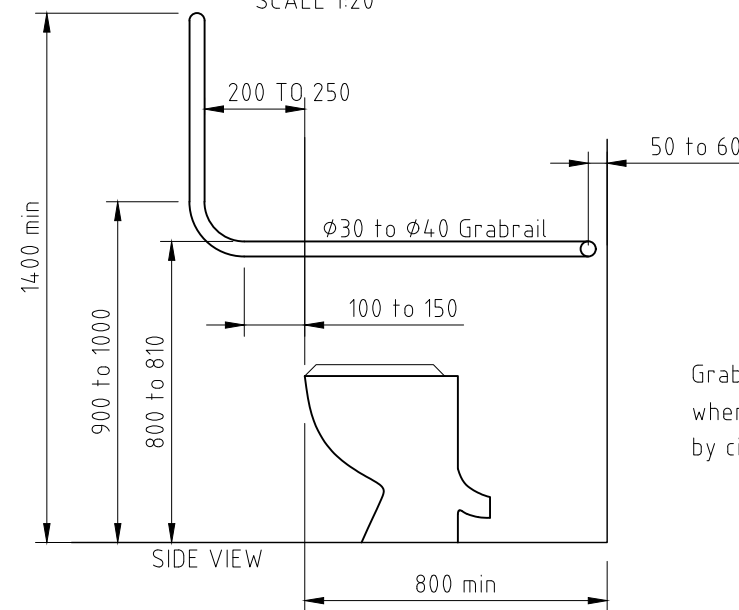
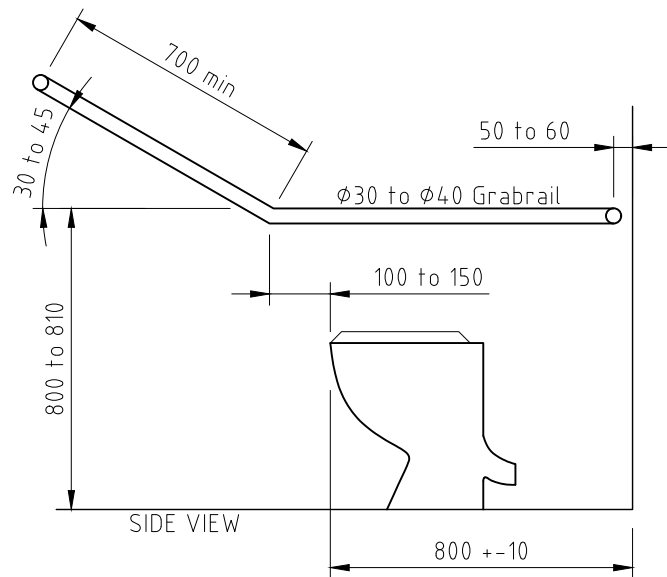
TOILET PAPER OUTLET
SCALE 1:20



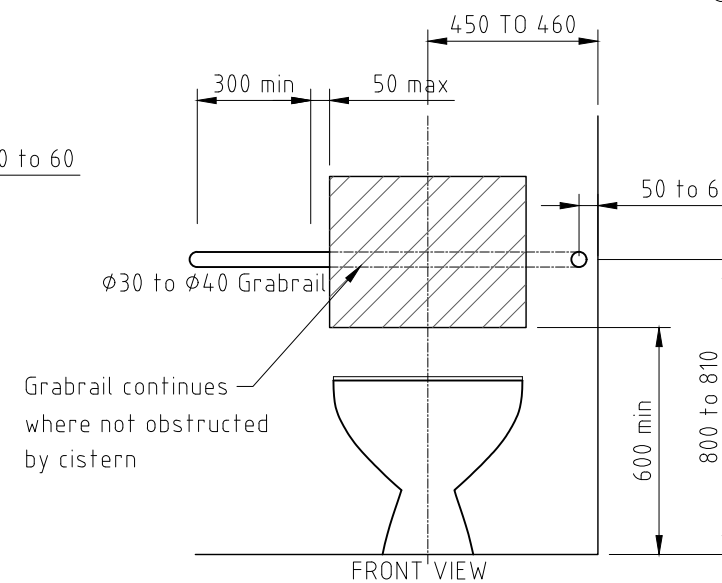
WASHBASIN OBSTRUCTION LIMIT
SCALE 1:20



WATER CLOSET PAN CLEARANCES, SEAT HEIGHT & SEAT WIDTH
SCALE 1:20



POSITIONS OF GRABRAILS IN WATER CLOSETS
SCALE 1:20



A	OCT 2021	G.D.	ISSUED FOR APPROVAL
---	----------	------	---------------------

REV	DATE	BY	DESCRIPTION
-----	------	----	-------------

Giselle Denley
Drafting Services
giselle.denley@bigpond.com
0417 688 326
53 Hill Sixty Drive
Mudgee NSW 2850

CLIENT:
CRAIG BUTLER

TITLE:
**PROPOSED INDUSTRIAL DEVELOPMENT
LOT 5 BURRUNDULLA ROAD MUDGEE**

SCALE: 1:50, 1:20	FILE: 3682-A01	DWG No.	REV.
DRAWN: G.D.	DATE: OCT 2021	3682-A06	A
CKD: C.B.	DATE: OCT 2021		