

DRAWING/DOCUMENT DESCRIPTION	DRAWING NUMBER	SHEET NO.	ISSUE NO.	ISSUE DATE	DRAWING STATUS				
					CANCELLED	PRELIMINARY	FOR CONSTRUCTION	AS BUILT	REFERENCE ONLY
SITE SPECIFIC NOTES	N743701	S0	0.1	17/08/21			✓		
SITE LAYOUT AND ACCESS	N743701	S1	0.1	17/08/21			✓		
SITE SETOUT PLAN - OPTION 1	N743701	S1-1	0.1	17/08/21			✓		
(N,S,E,W) ELEVATION	N743701	S3	0.1	17/08/21			✓		
SITE EARTHING	N743701	G4	0.1	17/08/21			✓		
SAN EARTHING SCENARIO - SHEET 1 OF 2	N743701	G4-2	0.1	17/08/21			✓		
TRENCH DETAILS	N743701	G4-4	0.1	17/08/21			✓		
AC POWER CONNECTION	N743701	E2	0.1	17/08/21			✓		
CONCRETE FOUNDATION DETAILS	N743701	T2	0.1	17/08/21			✓		
EQUIPMENT PLATFORM - H-FRAME DETAIL	N743701	T2-1	0.1	17/08/21			✓		
COMPOUND FENCE AND GATE DETAILS	N743701	T8	0.1	17/08/21			✓		



KANDOS EXCHANGE

Address ID NSW 124921 KANB

ADDRESS: 34 ANGUS AVENUE,
KANDOS
NSW 2848

DRAWING ENDORSEMENT BY CLIENT			
NAME		DATE	
SIGNATURE		STATUS	

VENTIA REVISION TABLE			PWID: KANB			SCALE :		
CP 20004549	SP 30092220	WO 055	DATE	17/08/21	DESIGN BY	H. DESAI	DRAWN BY	S.COOPER
			CHECKED	H. DESAI	APPROVED	H. DESAI	CUST APPR.	J.SCROGGIE
17/08/21	FOR CONSTRUCTION		S.C	H.D.	A			
DATE	DESC		DRN	APP	REV			

ORDER	DRAWN	CHKD	AMENDMENT	EXAM	APPD	DATE	ISS
	SC	HD	EXCHANGE SATELLITE INSTALLATION	HD	HD	17/08/21	0.1

Telstra

**SATELLITE ACCESS NODE SITE 124921
KANDOS EXCHANGE**

DRAWING INDEX AND DOCUMENT CONTROL
34 ANGUS AVENUE

DWG NO. **N743701** SHT NO. DC

SITE SPECIFIC NOTES

EQUIPMENT PLATFORM

TYPE: PROPOSED STEEL 'MOON' PLATFORM.
 SIZE (mm): APPROX. 915 x 1200mm.
 BASE TYPE: STEEL BASE PLATE

EARTHING

REQUIREMENT FOR EARTH NETWORK WITHIN SAN COMPOUND PLUS AN INTERCONNECTION FROM SAN TO THE TELSTRA ACTIVE EARTH.
 REFER TO SHEET G4 FOR SITE SPECIFIC EARTHING DETAILS AND EARTHING GUIDELINES.

ENVIRONMENTAL ISSUES

REFER TO ENVIRONMENTAL RISK ASSESSMENT CHECKLIST 018422f10 INCLUDE ANY ANIMALS:
 NESTING BIRDS: OSPREY ETC.
 DANGEROUS SNAKES, WASPS & SPIDERS ETC.
 MENACING CATTLE ETC.

POWER SUPPLY

32A/1P SUPPLY SHALL BE TAKEN FROM EXISTING EXCHANGE MAIN SWITCHBOARD. PROPOSED SUPPLY AND TAKE OFF POINT SHALL BE CONFIRMED WITH RELEVANT TELSTRA STAKEHOLDERS PRIOR TO ANY CONSTRUCTION WORKS.

DIAL 1100 BEFORE YOU DIG.

PROPERTY SIGNAGE

SPECIFY PROPERTY SIGNAGE AS PER DOCUMENT 017866A12. PROPERTY SIGN INCLUDES RFNSA SITE NUMBER.
 SITE NAME: BRANDED SITE IDENTIFICATION REGULAR (BSr).
 TELSTRA S/I NUMBER 187/00929.
 JABAC PART NUMBER TFMS929-M.

SITE ACCESS

VIA 34 ANGUS AVENUE
 REFER TO SHEET S1
 SITE S.A.C. TO ADVISE C.D.C. LOCATION DETAILS

SITE SIGNAGE

ALL EME SIGNAGE IS REFERENCED ON DRAWINGS S1 & S3.
 REFER TO DOCUMENT 005486 FOR DETAILS.

WORKPLACE HEALTH & SAFETY

ASBESTOS CONTAINING MATERIALS WERE IDENTIFIED DURING INSPECTION & DESIGN STAGES, SUBSEQUENTLY CONFIRMED BY REVIEW OF THE TELSTRA REGISTER OF ASBESTOS MATERIALS. ALL NECESSARY CONTROLS WILL NEED TO BE IN PLACE DURING THE CONSTRUCTION PHASE TO CONTROL THIS IDENTIFIED HAZARD.

GENERAL NOTES



- ALL DIMENSIONS ARE IN MILLIMETRES UNLESS SPECIFIED OTHERWISE.
- BIRD PROOFING - CABLES AND ALL ACCESS POINTS ON THE STRUCTURE MUST BE BIRD PROOFED IN ACCORDANCE WITH THE METHODS SPECIFIED IN DOCUMENT NO. 003615 EXTERNAL PLANT STANDARDS FOR MOBILE BASE STATIONS, SECTION 6.3.3. FOR QUEENSLAND, ALL FEEDERS ARE TO BE BIRD PROOFED WHEN INSTALLED.
- SERVICES, WHERE SHOWN ARE INDICATIVELY ONLY. LOCATION OF ALL RELEVANT EXISTING SERVICES SHALL BE IDENTIFIED AND CONFIRMED PRIOR TO COMMENCING WORK. THE CONTRACTOR TO LIAISE WITH RELEVANT AUTHORITIES FOR DIRECTIONS AND PERMITS REQUIRED.
 DIAL BEFORE YOU DIG 1100.
- CONSTRUCTORS ARE TO BE AWARE OF TELSTRA DOCUMENT 007338-C8-11 AND IN PARTICULAR CLAUSE 7.3 & 10.3 WHICH DESCRIBES REQUIREMENTS PERSONNEL MUST UNDERTAKE IN RESPECT TO ASBESTOS MANAGEMENT AT TELSTRA FACILITIES.
- PROPRIETARY PRODUCTS SHALL BE INSTALLED IN ACCORDANCE WITH MANUFACTURERS SPECIFICATIONS.
- COMPOUND SHALL BE ORIENTATED TO SUIT SITE-SPECIFIC REQUIREMENTS & ANTENNA AZIMUTH. REFER TO SITE-SPECIFIC COMPOUND LAYOUT DRAWING.
- COMPOUND SHALL BE STRIPPED OF ALL VEGETATION & TOPSOIL. COMPOUND SHALL BE FINISHED WITH A LAYER OF GEOTEXTILE UNDERLYING MIN. 100mm LAYER OF COMPACTED ROADBASE OR 20mm AGGREGATE.

SITE REFERENCE DETAILS

OCCUPIER	SITE NAME	SITE CODE
TELSTRA	KANDOS EXCHANGE	KANB
RFNSA SITE NUMBER - TBA STRUCTURE OWNER - TELSTRA		

SERVICES LEGEND

— F — F —	OPTICAL FIBRE ABOVE GROUND
— — F — — F —	OPTICAL FIBRE BELOW GROUND
— P — P —	ABOVE GROUND ELECTRICAL SUPPLY
— — P — — P —	BELOW GROUND ELECTRICAL SUPPLY
— — G — — G —	GAS SUPPLY BELOW GROUND
— HV — HV — HV —	HIGH VOLTAGE ELECTRICAL SUPPLY
— W — W — W — W — W —	WATER SUPPLY ABOVE GROUND
— — W — — W —	WATER SUPPLY BELOW GROUND
— — S — — S —	SEWER LINE
— — — SW —	STORM WATER
— FE — FE —	ABOVE GROUND FEEDER CABLES
— — FE — — FE —	BELOW GROUND FEEDER CABLES
— — EA — — EA —	EARTH STRAP
— E — E —	ABOVE GROUND 35mm EARTH
— — E — — E —	BELOW GROUND 35mm EARTH

-  EXISTING TELSTRA ANTENNA SECTOR
- A1
-  PROPOSED TELSTRA ANTENNA SECTOR
- A1

FOR CONSTRUCTION

TO BE READ IN CONJUNCTION WITH SHEETS S1, S1-1 & S3.

ORDER	DRAWN	CHKD	AMENDMENT	EXAM	APPD	DATE	ISS
	SC	HD	EXCHANGE SATELLITE INSTALLATION	HD	HD	17/08/21	0.1

COMPLIANCE BOX

COMPLETED AS PER DESIGN

ALTERATIONS IN RED

NAME (PRINT) _____

SIGNATURE _____ DATE _____

©Telstra Corporation Limited ABN 33 051 775 556 All rights reserved.

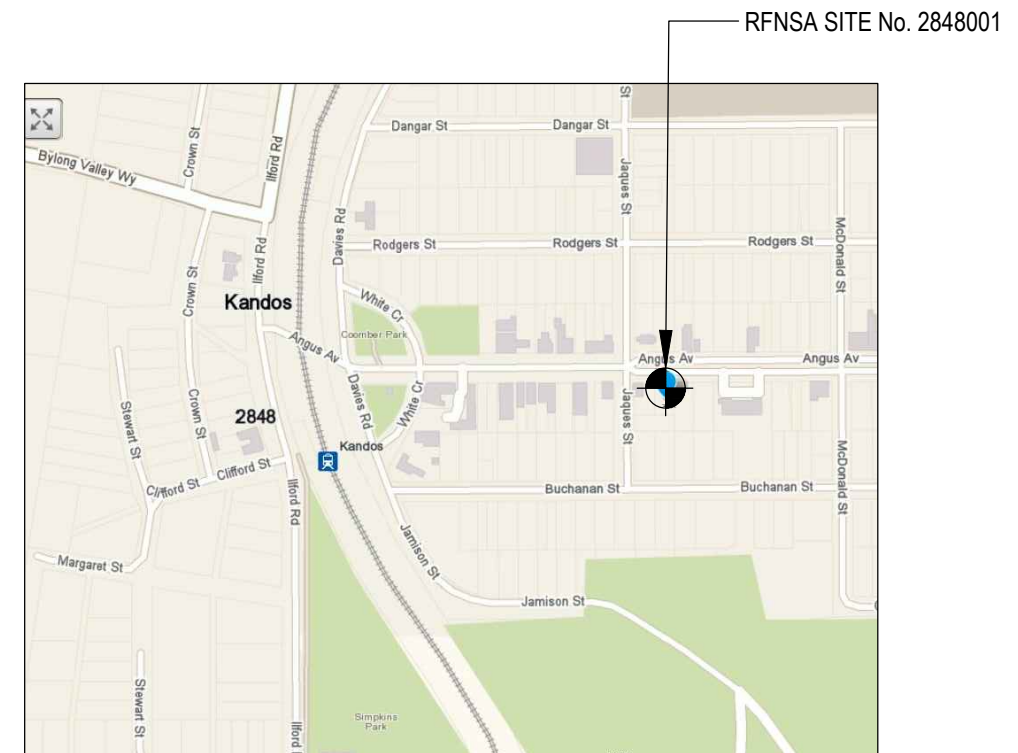
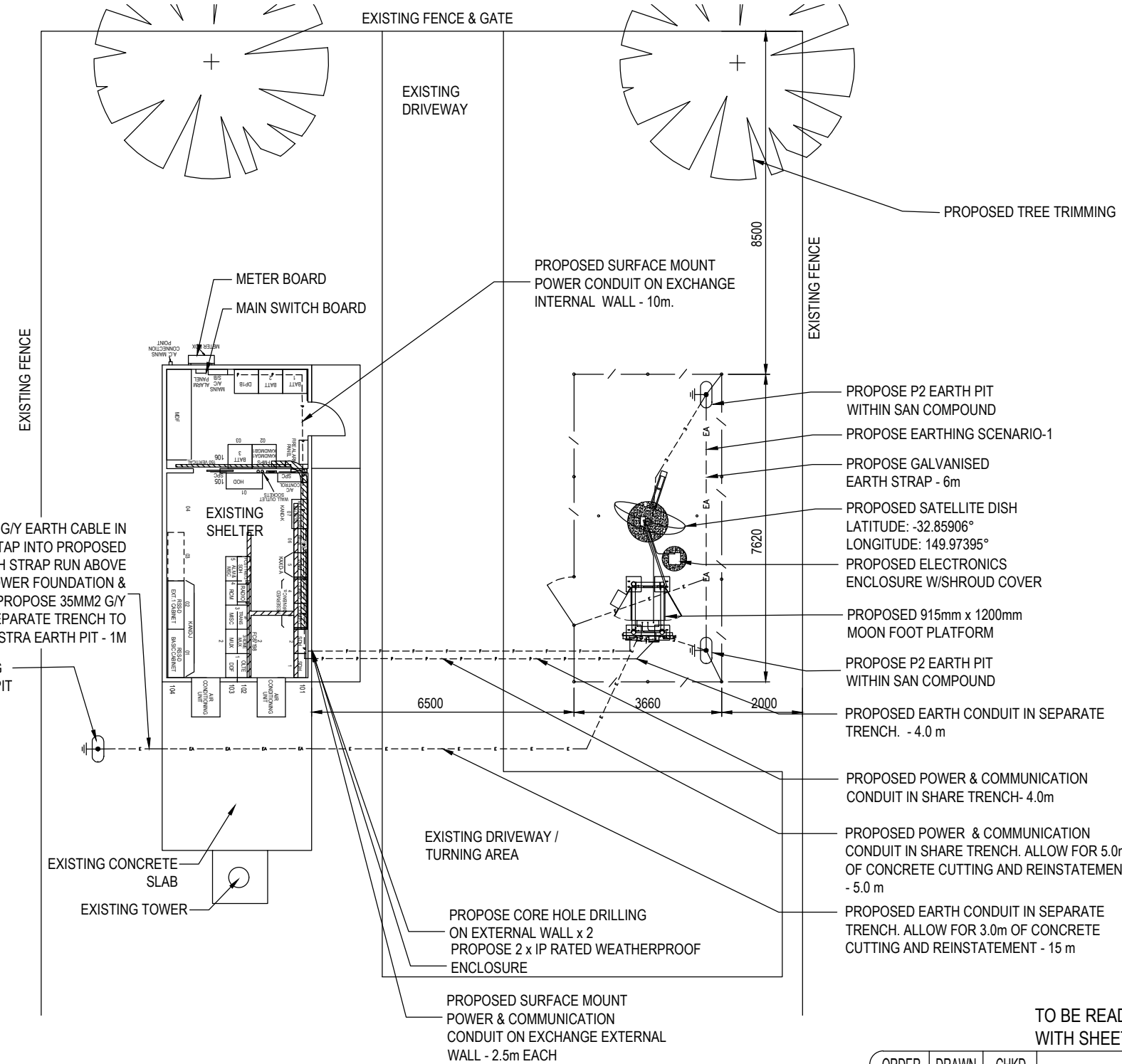
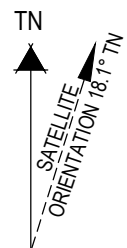


SATELLITE ACCESS NODE SITE 124921
 KANDOS EXCHANGE
 SITE SPECIFIC NOTES
 34 ANGUS AVENUE

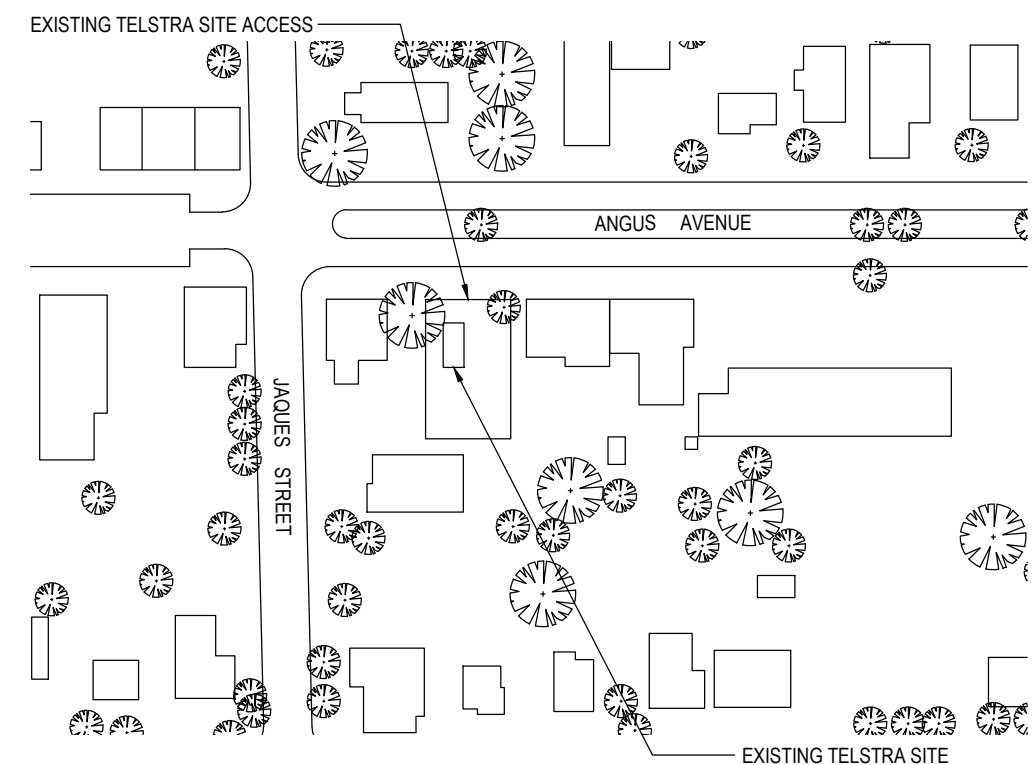
DWG NO. **N743701** SHT NO. S0

POWER AND COMMUNICATION CONDUIT DETAILS					
ITEM	SHARE TRENCH (m)	CONCRETE CUTTING & REINSTATEMENT (m)	EXTERNAL WALL (m)	INTERNAL WALL (m)	TOTAL (m)
P50 POWER CONDUIT	9m	5m	N/A	10m	21.5m
SURFACE MOUNT POWER CONDUIT - GREY	N/A	N/A	2.5m	N/A	
P50 COMMUNICATION CONDUIT	9m	5m	N/A	N/A	16.5m
SURFACE MOUNT COMMUNICATION CONDUIT - WHITE	N/A	N/A	2.5m	N/A	

EARTHING DETAILS				
ITEM	SEPERATE TRENCH (m)	SHARE TRENCH (m)	ABOVE GROUND (m)	TOTAL (m)
GALVANISED EARTH STRAP	6m	N/A	4.0m	10m
35sqmm G/Y IN P20 FLEXIBLE CONDUIT	11m	N/A	N/A	11.0m



Copyright © Whereis® Registered Trademark of Sensis Pty Ltd.
LOCALITY PLAN
NOT TO SCALE



- NOTES :**
- FOR SITE SPECIFIC NOTES REFER TO SHEETS S0 & S0-1.
 - FOR EME SIGNS NOTED AS #X REFER TO 005486 DOCUMENTS FOR DETAILS.
 - ALL DIMENSIONS ARE IN MILLIMETRES UNLESS OTHERWISE STATED.

SITE STRUCTURE CO-ORDINATES (GDA94)	
GPS READING ACCURACY: ±xxm	
CENTRE OF MAST/POLE/TOWER	
LATITUDE	-32.85906° (GDA94)
LONGITUDE	149.97395° (GDA94)

SITE LAYOUT
SCALE 1:175

COMPLIANCE BOX
COMPLETED AS PER DESIGN
ALTERATIONS IN RED
NAME (PRINT) _____
SIGNATURE _____ DATE _____

ORDER	DRAWN	CHKD	AMENDMENT	EXAM	APPD	DATE	ISS
	SC	HD	EXCHANGE SATELLITE INSTALLATION	HD	HD	17/08/21	0.1

© Telstra Corporation Limited ABN 33 051 775 556 All rights reserved.

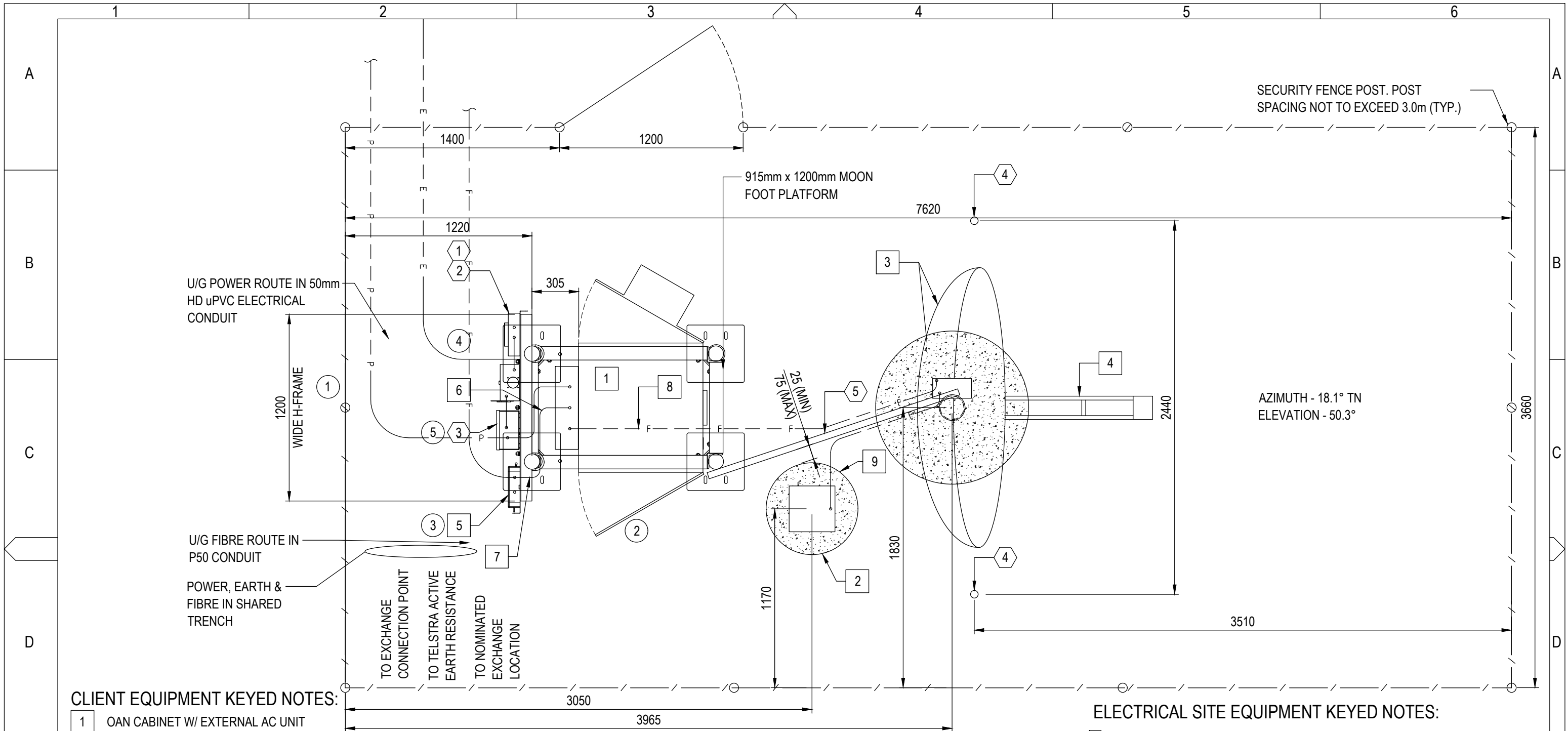
SITE ACCESS
SCALE 1:2000

FOR CONSTRUCTION

Telstra

SATELLITE ACCESS NODE SITE 124921
KANDOS EXCHANGE
SITE LAYOUT AND ACCESS
34 ANGUS AVENUE

DWG NO. **N743701** SHT NO. S1



CLIENT EQUIPMENT KEYED NOTES:

- 1 OAN CABINET W/ EXTERNAL AC UNIT
- 2 ELECTRONICS ENCLOSURE W/ SHROUD COVER
- 3 1.8m REFLECTOR W/ MODIFIED FEED BOOM & TRANSCEIVER
- 4 BOOM MOUNTED HP BUC
- 5 FIBRE INTERFACE PANEL
- 6 ACCESS NODE ASSEMBLY CABINET MFR. POWER CABLE
- 7 ACCESS NODE ASSEMBLY CABINET MFR. DATA CABLE
- 8 OAN CABINET MFR. AC/DC POWER CABLES MFR. DATA CABLES
- 9 ELECTRONICS ENCLOSURE MFR. DC POWER CABLES & MFR. DATA CABLES

NOTES :

1. REFER TO SHEET S0 FOR GENERAL NOTES.
2. SECURITY FENCE HEIGHT MUST BE MINIMUM 1.8m HIGH WITH POST SPACING NOT TO EXCEED 3.0m.
3. COMPOUND SHALL BE STRIPPED OF ALL VEGETATION & TOPSOIL. COMPOUND SHALL BE FINISHED WITH A LAYER OF GEOTEXTILE UNDERLYING (WEED MATTING). MINIMUM 100mm LAYER OF COMPACTED ROADBASE OR 20mm AGGREGATE.

ELECTRICAL SITE EQUIPMENT KEYED NOTES:

- 1 100A UTILITY METER (IF REQUIRED)
- 2 SIZE OF THE ENCLOSURE SHALL SUIT THE POWER UTILITY REQUIREMENTS IN THE RELEVANT STATES AND TERRITORIES
- 3 100A LOAD CENTRE BOX W/ EXTERNAL SURGE PROTECTION DEVICE
- 4 COTT WARNING MARKER (SUPPLIED BY CONTRACTOR)
- 5 (2) STACKED SECTIONS OF UNISTRUT FOR CABLE PATHWAY

COMPLIANCE BOX
 COMPLETED AS PER DESIGN
 ALTERATIONS IN RED
 NAME (PRINT) _____
 SIGNATURE _____ DATE _____


SITE SETOUT PLAN

SCALE 1:25
 500 0 500 1000 SCALE 1:25
 (PREFERRED OPTION COMPOUND LAYOUT)

TO BE READ IN CONJUNCTION WITH SHEETS S1 & S3.

ORDER	DRAWN	CHKD	AMENDMENT	EXAM	APPD	DATE	ISS
	SC	HD	EXCHANGE SATELLITE INSTALLATION	HD	HD	17/08/21	0.1

FOR CONSTRUCTION

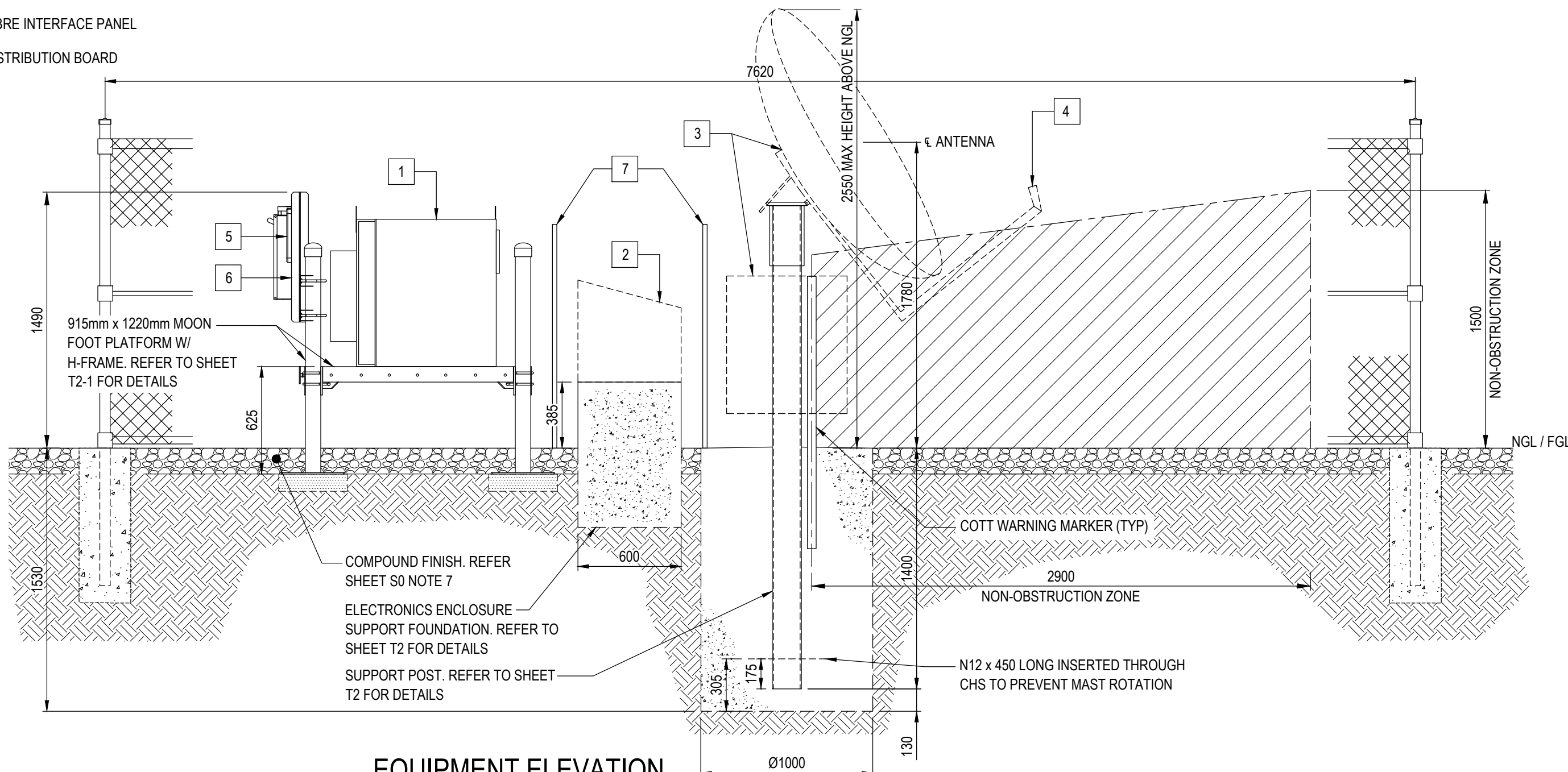

SATELLITE ACCESS NODE SITE 124921
KANDOS EXCHANGE
 SITE SETOUT PLAN
 34 ANGUS AVENUE

CLIENT EQUIPMENT KEYED NOTES:

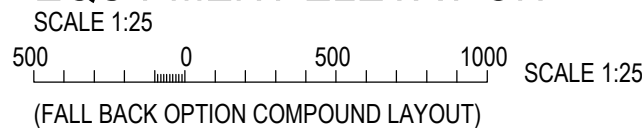
- 1 OAN CABINET W/ EXTERNAL AC UNIT
- 2 ELECTRONICS ENCLOSURE W/ SHROUD COVER
- 3 1.8m REFLECTOR W/ MODIFIED FEED BOOM & TRANSCIEVER
- 4 BOOM MOUNTED HP BUC
- 5 FIBRE INTERFACE PANEL
- 6 DISTRIBUTION BOARD
- 7 (2) ORANGE/WHITE DRIVEWAY MARKERS ATTACHED ONTO THE CABLE PATHWAY UNISTRUT SECTION TO SERVE AS TRIP HAZARD MARKERS. 1200mm LONG MARKER. ATTACH TO BOTH UNISTRUT SECTIONS WITH STAINLESS STEEL TIES. ONE MARKER ON EITHER SIDE OF EQUIPMENT ENCLOSURE PAD

TELSTRA ANTENNA CONFIGURATION TABLE

ANTENNA No	ANTENNA TYPE & SIZE H x W x D	ANTENNA ACTION REQUIRED	ANTENNA HEIGHT C/L A.G.L.	ANTENNA BEARING (x°T)	SECTOR NO. & TECHNOLOGY
A1	SATELLITE DISH ANTENNA SIZE 1800M DIA	INSTALL	1.8m	18.1° TN	BEAM ELEVATION 50.3° POINTING AT OPTUS D1 160° E



EQUIPMENT ELEVATION



NOTES :

- 1. FOR SITE SPECIFIC NOTES REFER TO SHEETS S0 & S0-1.
- 2. FOR EME SIGNS NOTED AS #X REFER TO 005486 DOCUMENTS FOR DETAILS.
- 3. ALL DIMENSIONS ARE IN MILLIMETRES UNLESS OTHERWISE STATED.

COMPLIANCE BOX

COMPLETED AS PER DESIGN

ALTERATIONS IN RED

NAME (PRINT) _____

SIGNATURE _____ DATE _____

FOR CONSTRUCTION

ORDER	DRAWN	CHKD	AMENDMENT	EXAM	APPD	DATE	ISS
	SC	HD	EXCHANGE SATELLITE INSTALLATION	HD	HD	17/08/21	0.1

Telstra

SATELLITE ACCESS NODE SITE 124921
KANDOS EXCHANGE
(N,S,E,W) ELEVATION
34 ANGUS AVENUE

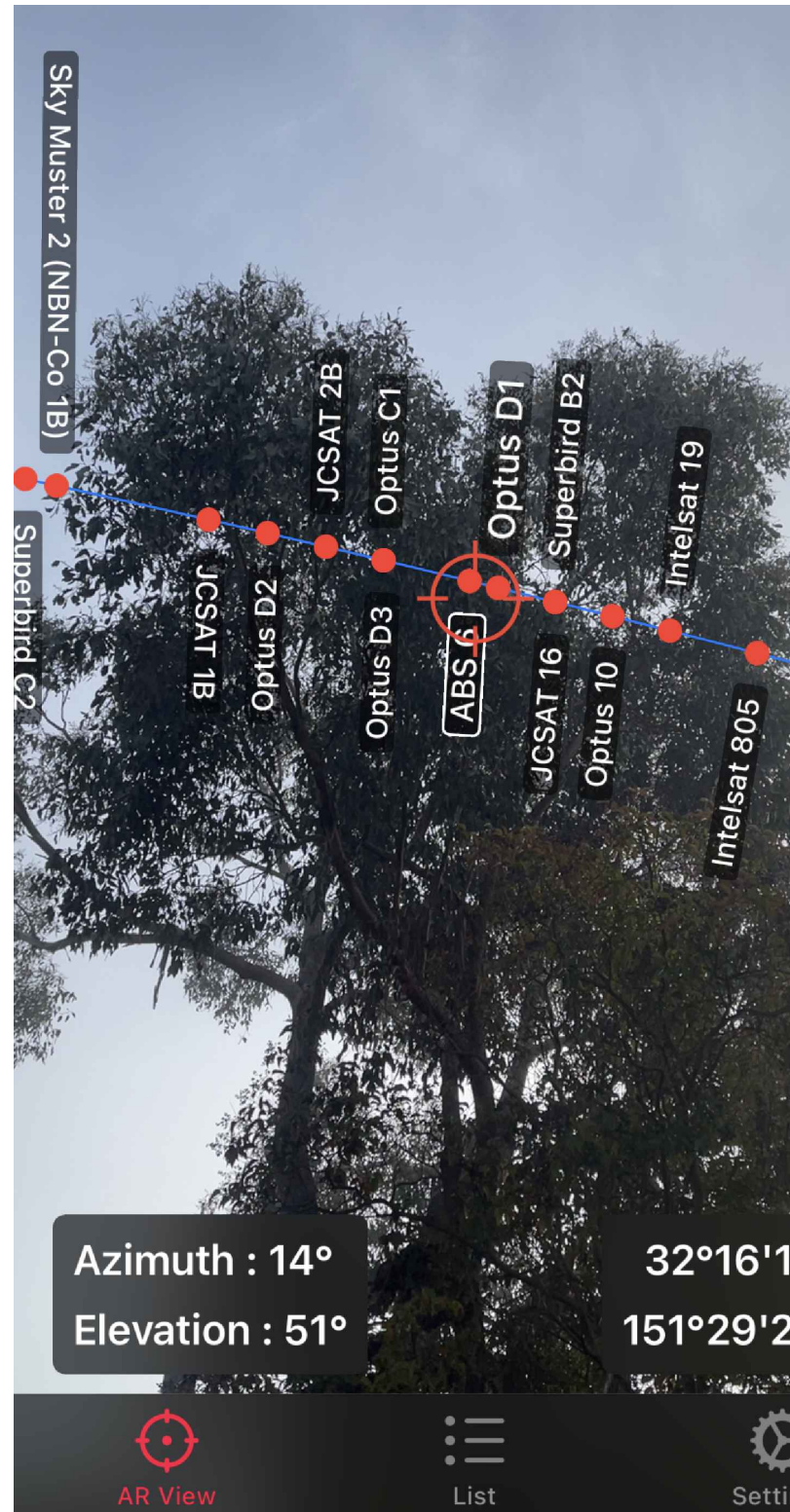
DWG NO. **N743701** SHT NO. S3

© Telstra Corporation Limited ABN 33 051 775 556 All rights reserved.

Do Not Scale Drawing

A3

Telstra Networks Wireless Program Delivery Template - 017866P02 issue 12.11.04/2016



KANDOS - LINE OF SITE PHOTO

FOR CONSTRUCTION

COMPLIANCE BOX
 COMPLETED AS PER DESIGN
 ALTERATIONS IN RED
 NAME (PRINT) _____
 SIGNATURE _____ DATE _____

ORDER	DRAWN	CHKD	AMENDMENT	EXAM	APPD	DATE	ISS
	SC	HD	EXCHANGE SATELLITE INSTALLATION	HD	HD	17/08/21	0.1

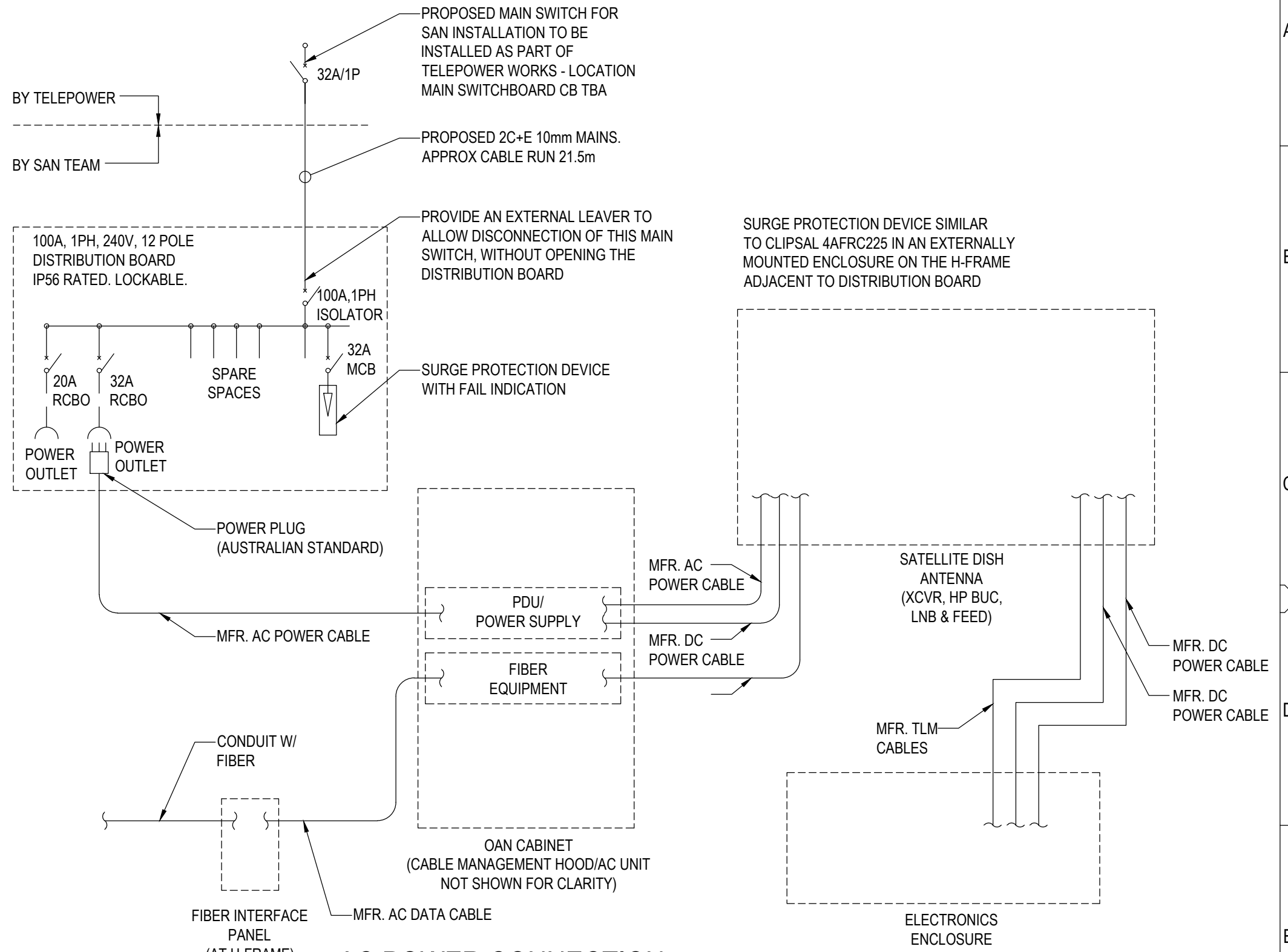
Telstra
 SATELLITE ACCESS NODE SITE 124921
 KANDOS EXCHANGE
 LOS PHOTO PAGE
 34 ANGUS AVENUE
 DWG NO. **N743701** SHT NO. S4

© Telstra Corporation Limited ABN 33 051 775 556 All rights reserved.

Do Not Scale Drawing

NOTES:

1. ALL LOW VOLTAGE AND ELECTRICAL INSTALLATION SHALL BE IN ACCORDANCE WITH THESE SPECIFICATION, TELSTRA CIVIL DESIGN MANUAL, TELSTRA EARTHING MANUAL, ALL REFERENCED TELSTRA STANDARD DOCUMENTATION ALONG WITH AS/NZS3000, AS/NZS3008, AS/NZS3015, AS/NZS3017, AS/NZS1768, AS/ACIF S006, RELEVANT STATE/TERRITORY SPECIFIC INSTALLATION RULES AND ALL OTHER RELEVANT AUSTRALIAN STANDARDS AS APPLICABLE TO PROPOSED WORKS.
2. ALL LOW VOLTAGE AC POWER WORKS SHALL BE COMPLETED BY LICENSED ELECTRICIAN IN ACCORDANCE WITH INSTALLATION RULES AND RELEVANT SAFETY PRACTICES APPLICABLE TO SITE.
3. ALL WORKS SHALL BE LIAISED AND COORDINATED WITH RELEVANT PERSONNEL, SITE REPRESENTATIVES, LANDOWNER, SITE PROVIDER AND/OR POWER AUTHORITY AS APPLICABLE.
4. ALL WORKS SHALL BE AS PER TELSTRA SPECIFICATIONS AND APPROVED MOPS INCLUDING LABELLING.
5. CONTRACTOR SHALL MAKE THEMSELVES AWARE OF ALL SITE CONDITIONS AND SAFETY REQUIREMENTS PRIOR TO COMMENCING ANY WORK ON SITE.
6. CONTRACTOR TO VALIDATE ALL APPROVALS AND OUTAGES REQUIRED TO CONDUCT PROPOSED WORKS. THIS INCLUDES BUT IS NOT LIMITED TO ANY DONOR SITES AND/OR FAR END SITES WHICH MAY BE IMPACTED DUE TO PROPOSED WORKS.
7. ALL CONTRACTORS WORKING ON TELSTRA FACILITIES SHALL BE TELSTRA ACCREDITED AS PER TELSTRA PROTOCOLS.
8. ALL LV CABLES SHALL BE INSTALLED IN CONDUITS. ANY EXPOSED CONDUITS SHALL BE UV PROTECTED.
9. NO SEPARATE METERING IS REQUIRED FOR SAN INSTALLATION UNLESS SPECIFIED AND DIRECTED BY TELSTRA.
10. NEUTRAL AND ELECTRICAL SAFETY EARTH FOR SAN INSTALLATION SHALL BE TAKEN FROM EXCHANGE EXISTING M.E.N.



AC POWER CONNECTION

NOT TO SCALE

FOR SITE SPECIFIC NOTES REFER TO SHEET S0.

ORDER	DRAWN	CHKD	AMENDMENT	EXAM	APPD	DATE	ISS
	SC	HD	EXCHANGE SATELLITE INSTALLATION	HD	HD	17/08/21	0.1

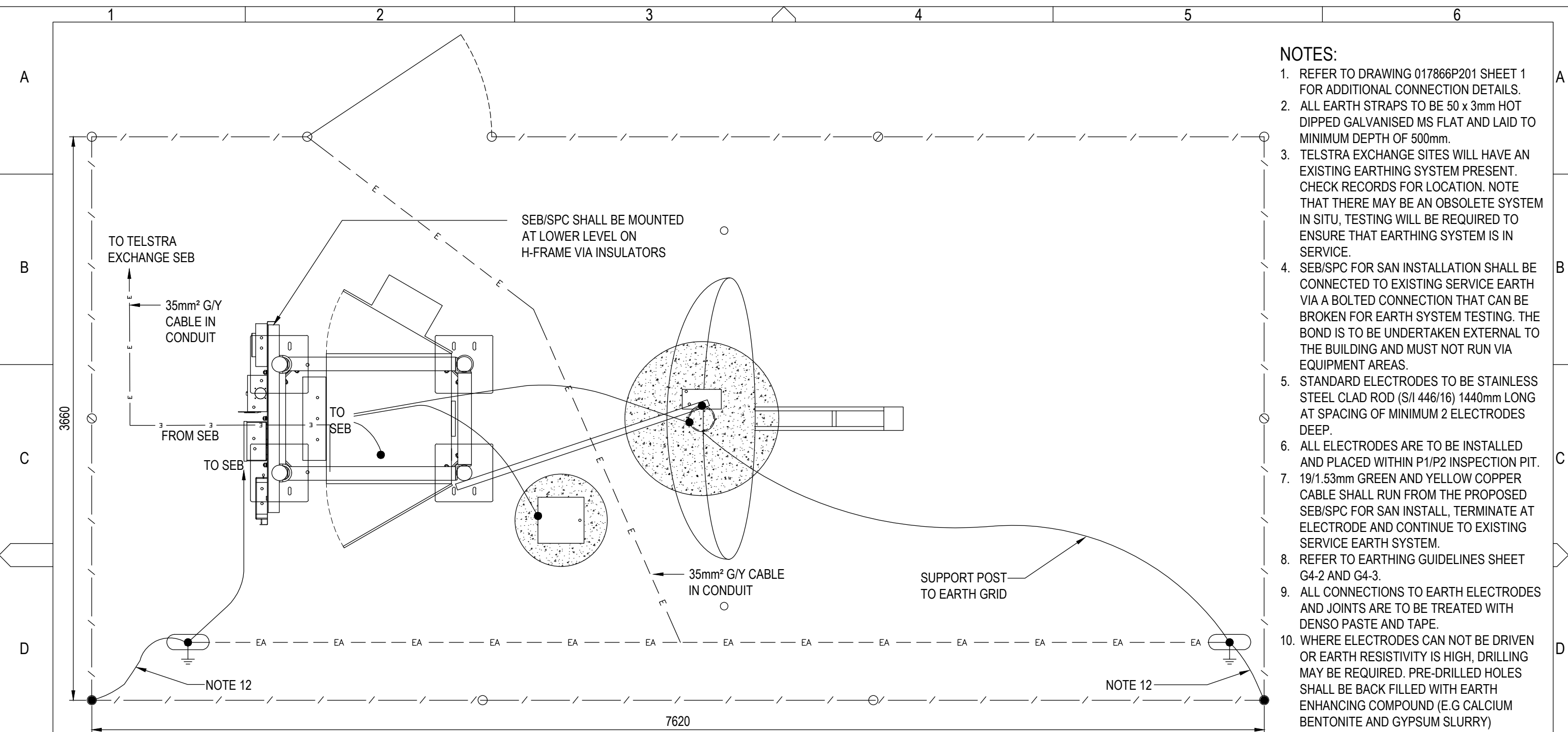
COMPLIANCE BOX
 COMPLETED AS PER DESIGN
 ALTERATIONS IN RED
 NAME (PRINT) _____
 SIGNATURE _____ DATE _____

FOR CONSTRUCTION

Telstra

SATELLITE ACCESS NODE SITE 124921
 KANDOS EXCHANGE
 AC POWER CONNECTION
 34 ANGUS AVENUE

DWG NO. **N743701** SHT NO. E2



- NOTES:**
- REFER TO DRAWING 017866P201 SHEET 1 FOR ADDITIONAL CONNECTION DETAILS.
 - ALL EARTH STRAPS TO BE 50 x 3mm HOT DIPPED GALVANISED MS FLAT AND LAID TO MINIMUM DEPTH OF 500mm.
 - TELSTRA EXCHANGE SITES WILL HAVE AN EXISTING EARTHING SYSTEM PRESENT. CHECK RECORDS FOR LOCATION. NOTE THAT THERE MAY BE AN OBSOLETE SYSTEM IN SITU, TESTING WILL BE REQUIRED TO ENSURE THAT EARTHING SYSTEM IS IN SERVICE.
 - SEB/SPC FOR SAN INSTALLATION SHALL BE CONNECTED TO EXISTING SERVICE EARTH VIA A BOLTED CONNECTION THAT CAN BE BROKEN FOR EARTH SYSTEM TESTING. THE BOND IS TO BE UNDERTAKEN EXTERNAL TO THE BUILDING AND MUST NOT RUN VIA EQUIPMENT AREAS.
 - STANDARD ELECTRODES TO BE STAINLESS STEEL CLAD ROD (S/I 446/16) 1440mm LONG AT SPACING OF MINIMUM 2 ELECTRODES DEEP.
 - ALL ELECTRODES ARE TO BE INSTALLED AND PLACED WITHIN P1/P2 INSPECTION PIT.
 - 19/1.53mm GREEN AND YELLOW COPPER CABLE SHALL RUN FROM THE PROPOSED SEB/SPC FOR SAN INSTALL, TERMINATE AT ELECTRODE AND CONTINUE TO EXISTING SERVICE EARTH SYSTEM.
 - REFER TO EARTHING GUIDELINES SHEET G4-2 AND G4-3.
 - ALL CONNECTIONS TO EARTH ELECTRODES AND JOINTS ARE TO BE TREATED WITH DENSO PASTE AND TAPE.
 - WHERE ELECTRODES CAN NOT BE DRIVEN OR EARTH RESISTIVITY IS HIGH, DRILLING MAY BE REQUIRED. PRE-DRILLED HOLES SHALL BE BACK FILLED WITH EARTH ENHANCING COMPOUND (E.G CALCIUM BENTONITE AND GYPSUM SLURRY)
 - WHERE FENCING IS REQUIRED, INTERCONNECT TO FENCE POSTS AT GATE. REFER DRAWING 017866P201 SHEET 1.
 - FOR ALL FENCE CONNECTIONS RUN CABLE & CONDUIT ON THE GROUND, COVER WITH 100mm COMPOUND COVER

PLAN VIEW
SCALE 1:25

EARTH ELECTRODE SCHEDULE			
TYPE	DIAMETER	QUANTITY	DEPTH
STAINLESS STEEL CLAD ROD	14mm	2	2.88m

EARTH GRID SCHEDULE	
TYPE	DIMENSIONS
HOT DIPPED GALVANISED MS FLAT	50 x 3mm

- LEGEND**
- EARTH STRAP ——— EA ——— EA ———
 - 35mm² G/Y INSULATED CABLE (19/1.53). ———
 - EARTH INSPECTION PIT (●)
 - SITE FENCING - - - - -
 - EARTH ELECTRODE ●—|
 - SERVICE EARTH BAR [○○○○○] SEB

COMPLIANCE BOX
 COMPLETED AS PER DESIGN
 ALTERATIONS IN RED
 NAME (PRINT) _____
 SIGNATURE _____ DATE _____

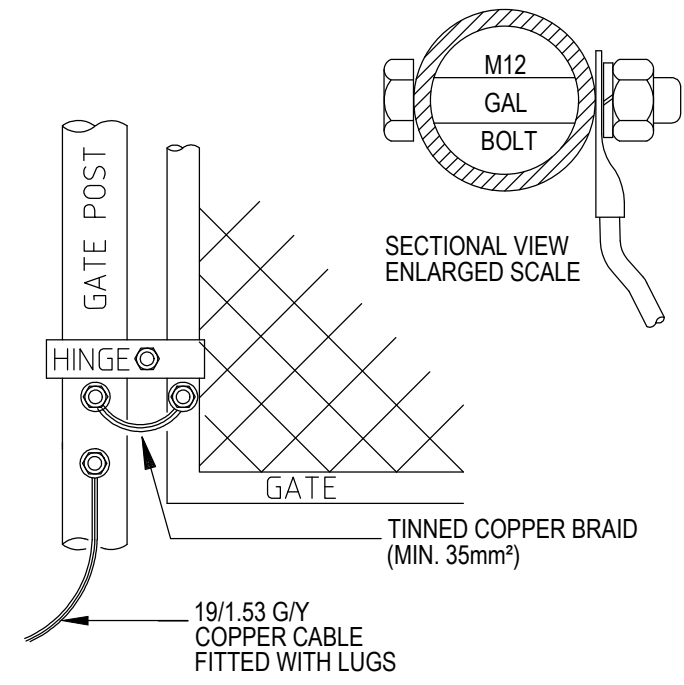
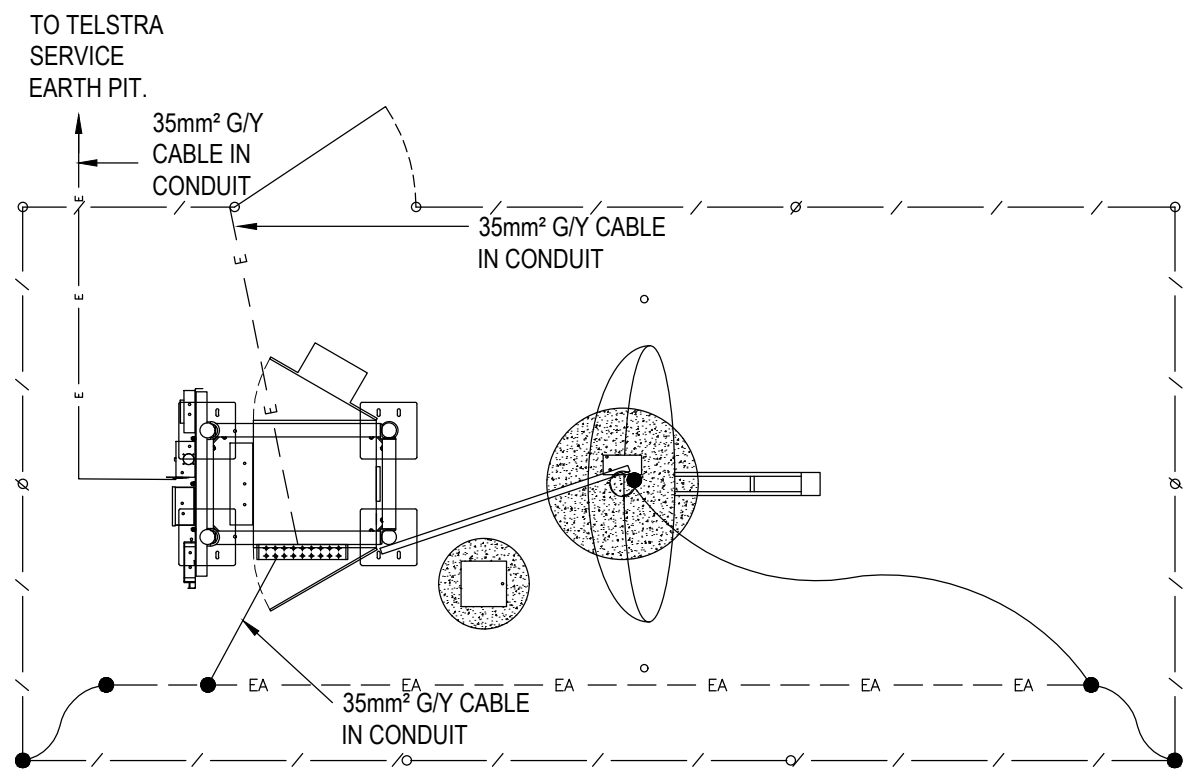
NOTE: THIS DRAWING TO BE READ IN CONJUNCTION WITH SHEET G4-1

ORDER	DRAWN	CHKD	AMENDMENT	EXAM	APPD	DATE	ISS
	SC	HD	EXCHANGE SATELLITE INSTALLATION	HD	HD	17/08/21	0.1

FOR CONSTRUCTION

SATELLITE ACCESS NODE SITE 124921
KANDOS EXCHANGE
 SITE EARTHING - OPTION 1
 34 ANGUS AVENUE

DWG NO. **N743701**
SHT NO. G4



EARTHING SCENARIO 1

SCALE 1:50
TAE & SAN EARTH < 10 OHMS BOND
WITH 35mm² G/Y CABLE

FENCE & GATE DETAIL

NOT TO SCALE

EARTHING GUIDELINES						
	TELSTRA ACTIVE EARTH RESISTANCE (TAE) STATUS (TO BE CHECKED PART OF SITE VISIT TO DETERMINE SAN EARTH SOLUTION AND INTERCONNECTIVITY)	SAN EARTHING SYSTEM	SAN EARTH RESISTANCE (ASSESSED ON INSTALLATION)	SAN (SEB) TO NEAREST TELSTRA ACTIVE EARTH (TAE)	SAN-TAE INTERCONNECTION SOLUTION	DIAGRAM REFERENCE
SCENARIO 1	<10 OHM	6m STRAP + 2* 2.88 ELECTRODES	<10 OHMS	NO DISTANCE LIMITED	YG DUCTED EARTH CABLE ONLY	1

FOR CONSTRUCTION

COMPLIANCE BOX
 COMPLETED AS PER DESIGN
 ALTERATIONS IN RED
 NAME (PRINT) _____
 SIGNATURE _____ DATE _____

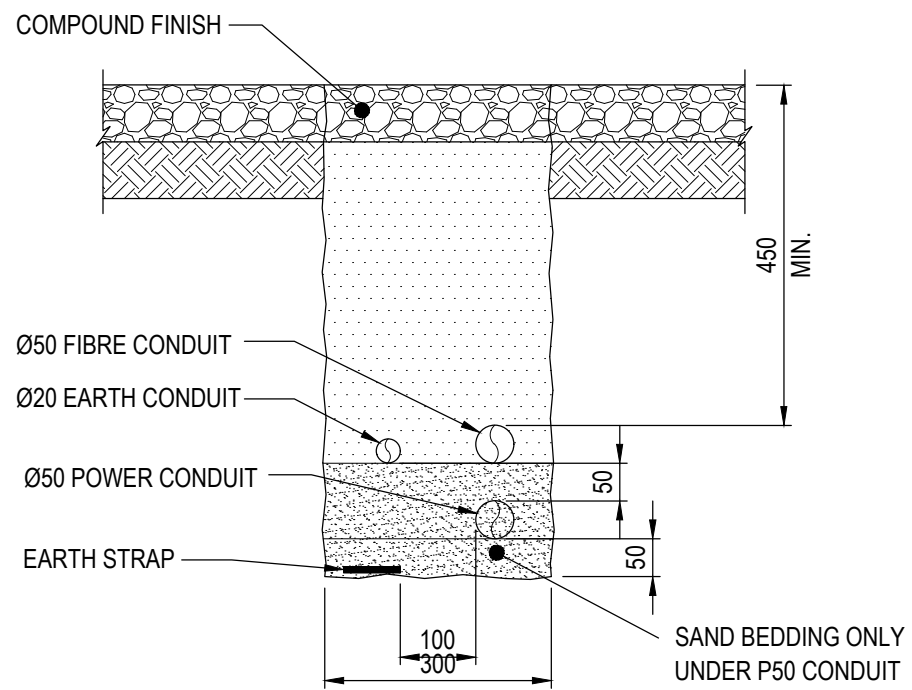
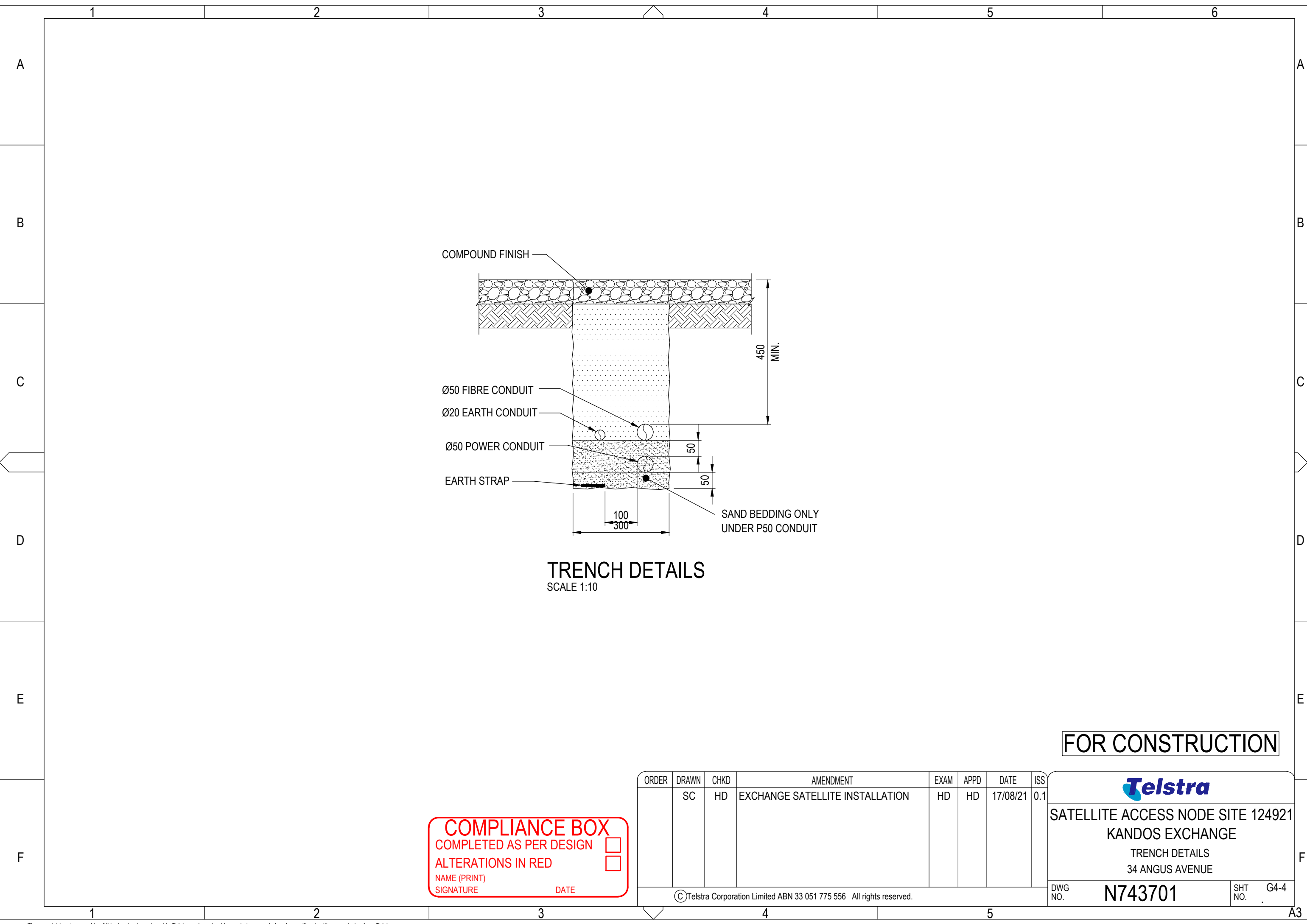
ORDER	DRAWN	CHKD	AMENDMENT	EXAM	APPD	DATE	ISS
	SC	HD	EXCHANGE SATELLITE INSTALLATION	HD	HD	17/08/21	0.1

© Telstra Corporation Limited ABN 33 051 775 556 All rights reserved.

Telstra

SATELLITE ACCESS NODE SITE 124921
 KANDOS EXCHANGE
 EARTHING SCENARIO - SHEET 1 OF 2
 34 ANGUS AVENUE

DWG NO. **N743701** SHT NO. G4



TRENCH DETAILS
SCALE 1:10

FOR CONSTRUCTION

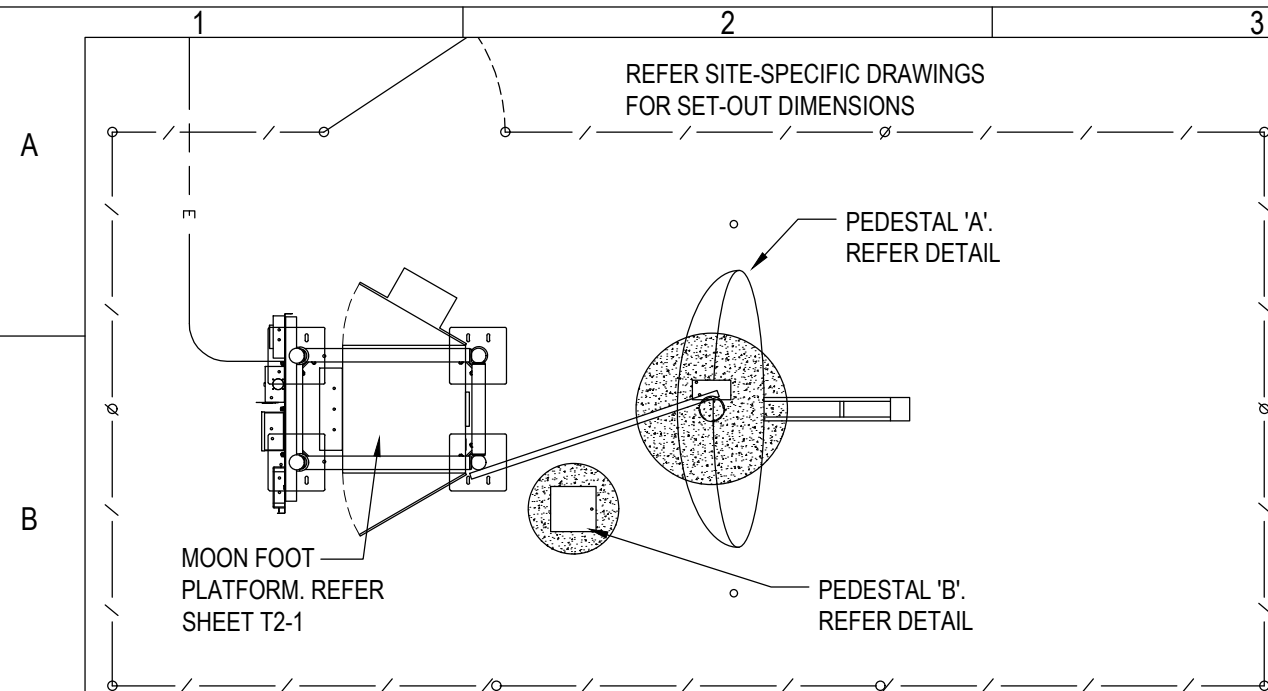
COMPLIANCE BOX
 COMPLETED AS PER DESIGN
 ALTERATIONS IN RED
 NAME (PRINT) _____
 SIGNATURE _____ DATE _____

ORDER	DRAWN	CHKD	AMENDMENT	EXAM	APPD	DATE	ISS
	SC	HD	EXCHANGE SATELLITE INSTALLATION	HD	HD	17/08/21	0.1

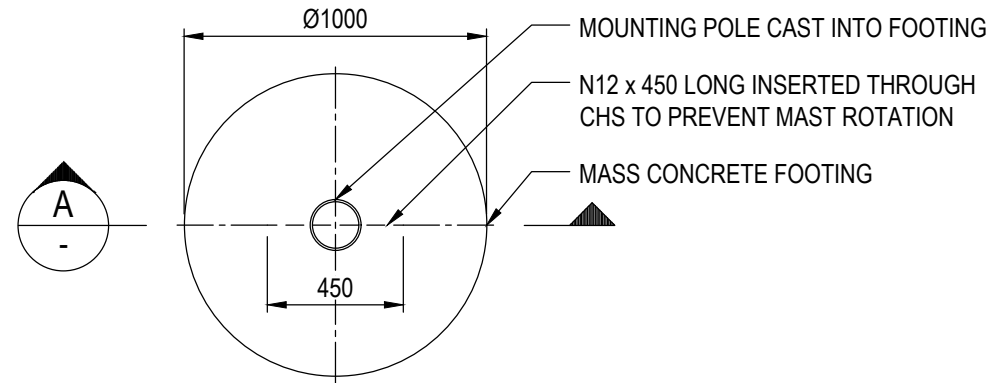
Telstra
 SATELLITE ACCESS NODE SITE 124921
 KANDOS EXCHANGE
 TRENCH DETAILS
 34 ANGUS AVENUE

© Telstra Corporation Limited ABN 33 051 775 556 All rights reserved.

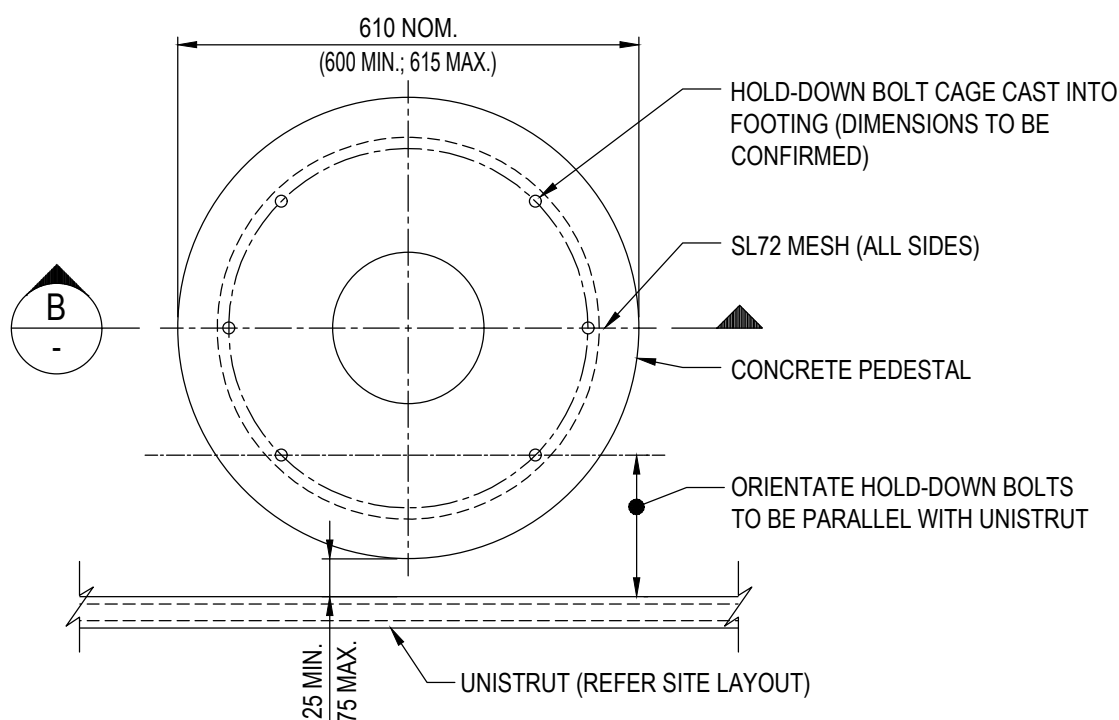
DWG NO. **N743701** SHT NO. G4-4



TYPICAL COMPOUND - PLAN VIEW
SCALE 1:50

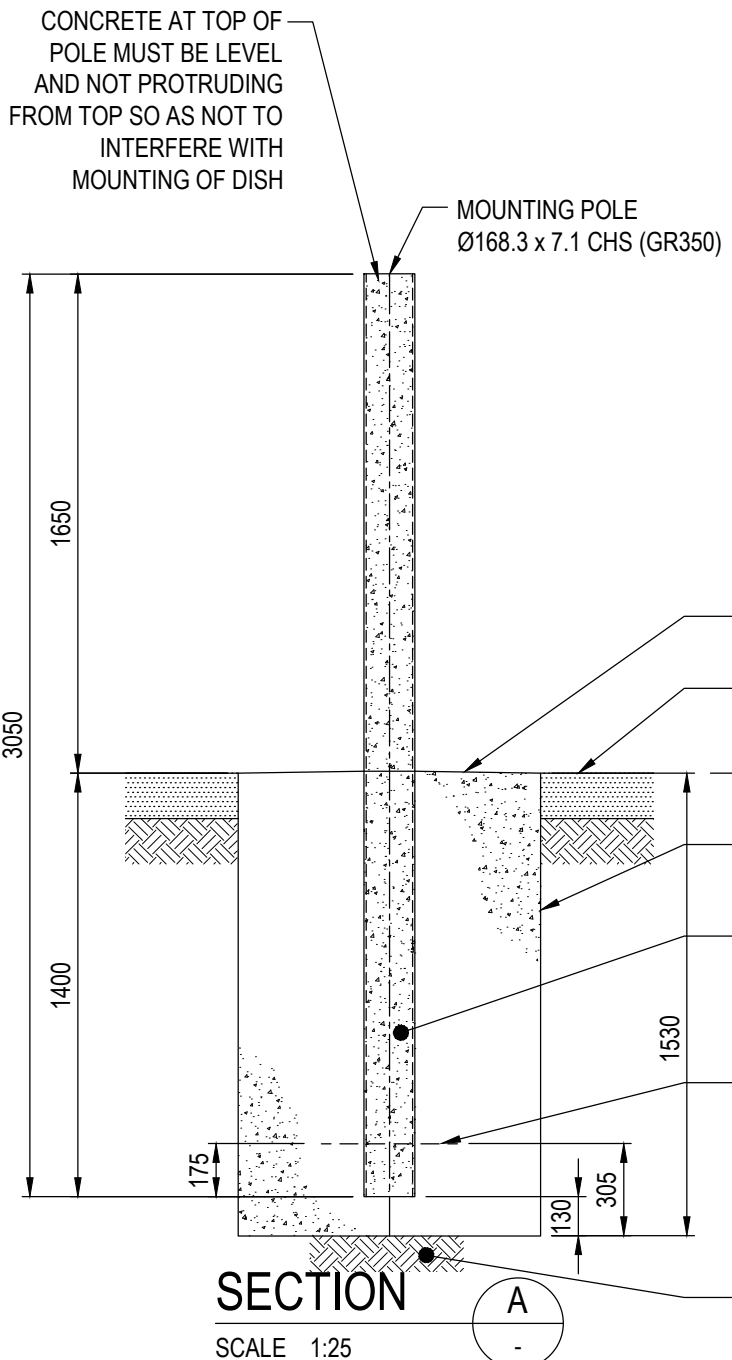


PEDESTAL 'A' - PLAN VIEW
SCALE 1:25

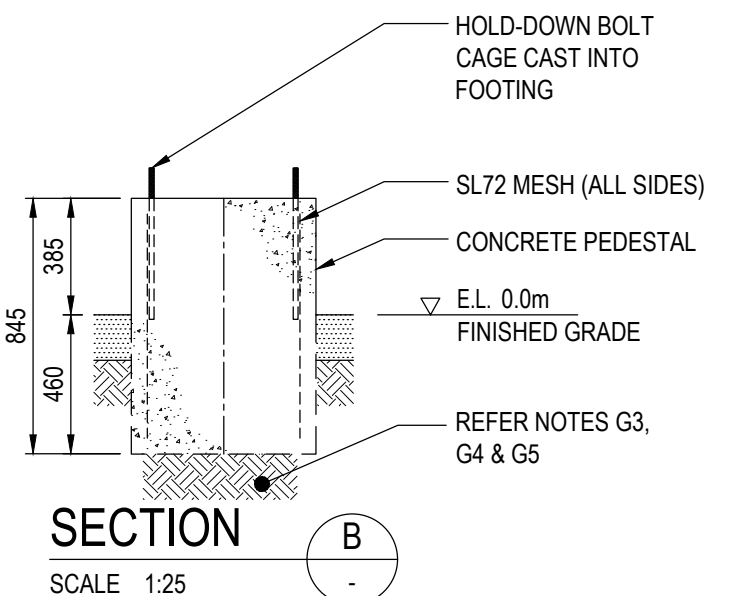


PEDESTAL 'B' - PLAN VIEW
SCALE 1:10

COMPLIANCE BOX
COMPLETED AS PER DESIGN
ALTERATIONS IN RED
NAME (PRINT) _____
SIGNATURE _____ DATE _____



SECTION A
SCALE 1:25



SECTION B
SCALE 1:25

GENERAL NOTES:

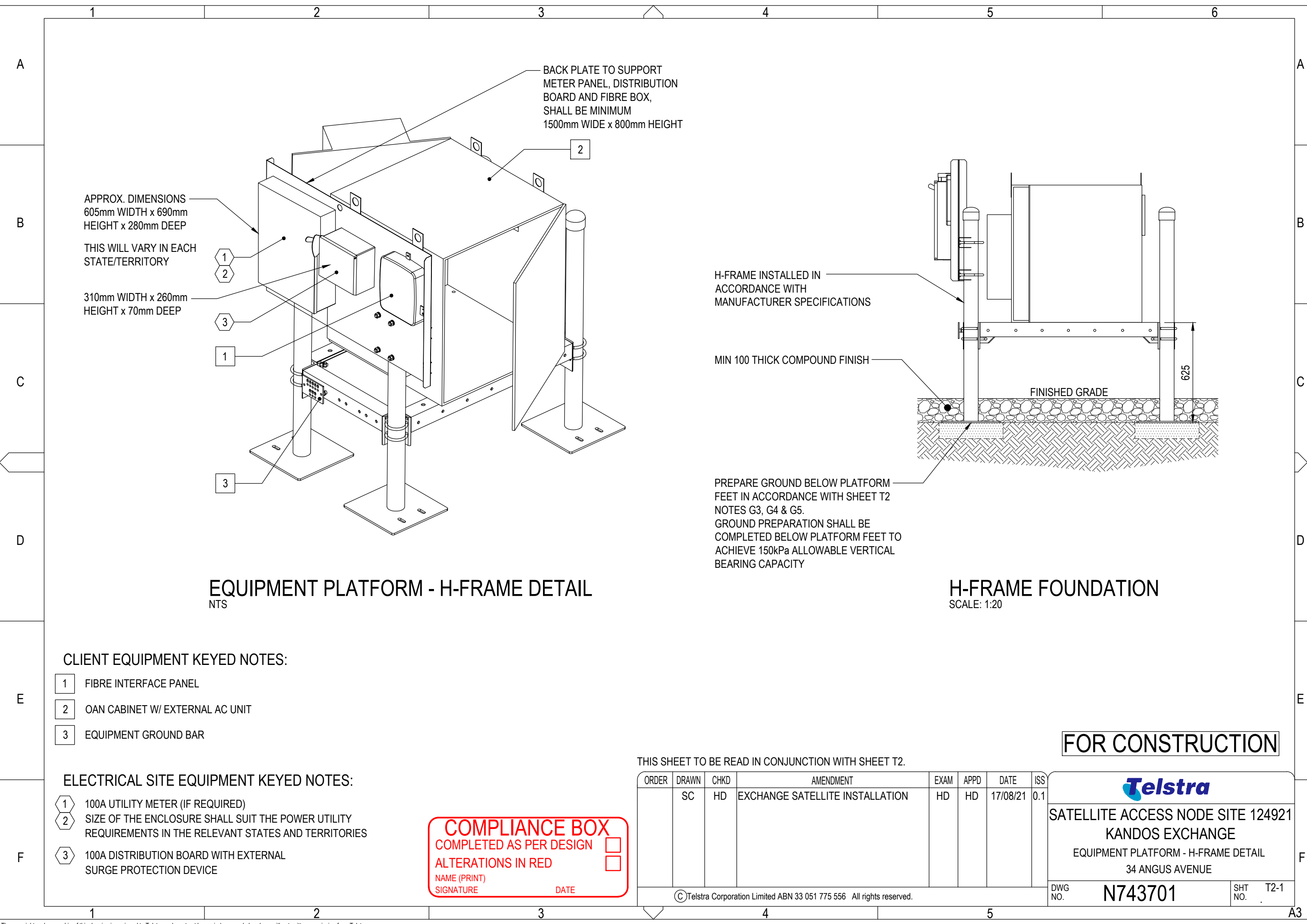
- GENERAL**
G1. THIS DRAWING TO BE READ IN CONJUNCTION WITH SITE-SPECIFIC DRAWINGS.
G2. FOR GENERAL CONSTRUCTION & FABRICATION NOTES REFER TO TELSTRA STANDARD DRAWING 017866P05.
G3. FOOTINGS TO BE FOUNDED ON UNDISTURBED, NATURALLY CONSOLIDATED SOIL WITH MINIMUM ALLOWABLE VERTICAL BEARING CAPACITY 100kPa (U.N.O). A SUITABLY EXPERIENCED PERSON SHALL CONFIRM THE BEARING CAPACITY ON-SITE PRIOR TO INSTALLING THE CONCRETE/EQUIPMENT.
G4. BASE OF EXCAVATION SHALL BE CLEAN, FLAT & FREE OF SOFT/ORGANIC MATERIAL.
G5. SUBGRADE OF CRUSHED AGGREGATE OR ROAD BASE SHALL BE USED AS NECESSARY TO ACHIEVE THE BEARING CAPACITY REQUIREMENT.
G6. SAFE WORK PRACTICES SHALL BE IMPLEMENTED IN ACCORDANCE WITH LOCAL REGULATORY REQUIREMENTS & AS2159-2009.
- CONCRETE**
C1. CONCRETE WORKS TO BE COMPLETED IN ACCORDANCE WITH AS3600-2018.
C2. CONCRETE STRENGTH TO BE MIN $f_c = 32\text{MPa}$ AT 28 DAYS.
C3. COVER TO REINFORCEMENT TO BE MIN. 75mm (TYP ALL SIDES).
C4. CAST-IN PROPRIETARY ITEMS TO BE INSTALLED TO MANUFACTURERS SPECIFICATIONS.
- STEEL**
S1. STEELWORK TO BE FABRICATED IN ACCORDANCE WITH AS4100-2020.
S2. ALL STEELWORK TO BE HOT DIP GALVANISED TO AS4680-2006 U.N.O.
S3. ALL HOLLOW SECTIONS TO BE GRADE 350 TO AS1163-2016 U.N.O.

FOR CONSTRUCTION

THIS SHEET TO BE READ IN CONJUNCTION WITH SHEET T2-1.

ORDER	DRAWN	CHKD	AMENDMENT	EXAM	APPD	DATE	ISS
	SC	HD	EXCHANGE SATELLITE INSTALLATION	HD	HD	17/08/21	0.1

Telstra
SATELLITE ACCESS NODE SITE 124921
KANDOS EXCHANGE
CONCRETE FOUNDATION DETAILS
34 ANGUS AVENUE



BACK PLATE TO SUPPORT METER PANEL, DISTRIBUTION BOARD AND FIBRE BOX, SHALL BE MINIMUM 1500mm WIDE x 800mm HEIGHT

APPROX. DIMENSIONS
605mm WIDTH x 690mm HEIGHT x 280mm DEEP
THIS WILL VARY IN EACH STATE/TERRITORY
310mm WIDTH x 260mm HEIGHT x 70mm DEEP

H-FRAME INSTALLED IN ACCORDANCE WITH MANUFACTURER SPECIFICATIONS

MIN 100 THICK COMPOUND FINISH

FINISHED GRADE

PREPARE GROUND BELOW PLATFORM FEET IN ACCORDANCE WITH SHEET T2 NOTES G3, G4 & G5. GROUND PREPARATION SHALL BE COMPLETED BELOW PLATFORM FEET TO ACHIEVE 150kPa ALLOWABLE VERTICAL BEARING CAPACITY

EQUIPMENT PLATFORM - H-FRAME DETAIL
NTS

H-FRAME FOUNDATION
SCALE: 1:20

CLIENT EQUIPMENT KEYED NOTES:

- 1 FIBRE INTERFACE PANEL
- 2 OAN CABINET W/ EXTERNAL AC UNIT
- 3 EQUIPMENT GROUND BAR

ELECTRICAL SITE EQUIPMENT KEYED NOTES:

- 1 100A UTILITY METER (IF REQUIRED)
- 2 SIZE OF THE ENCLOSURE SHALL SUIT THE POWER UTILITY REQUIREMENTS IN THE RELEVANT STATES AND TERRITORIES
- 3 100A DISTRIBUTION BOARD WITH EXTERNAL SURGE PROTECTION DEVICE

COMPLIANCE BOX
COMPLETED AS PER DESIGN
ALTERATIONS IN RED
NAME (PRINT) _____
SIGNATURE _____ DATE _____

THIS SHEET TO BE READ IN CONJUNCTION WITH SHEET T2.

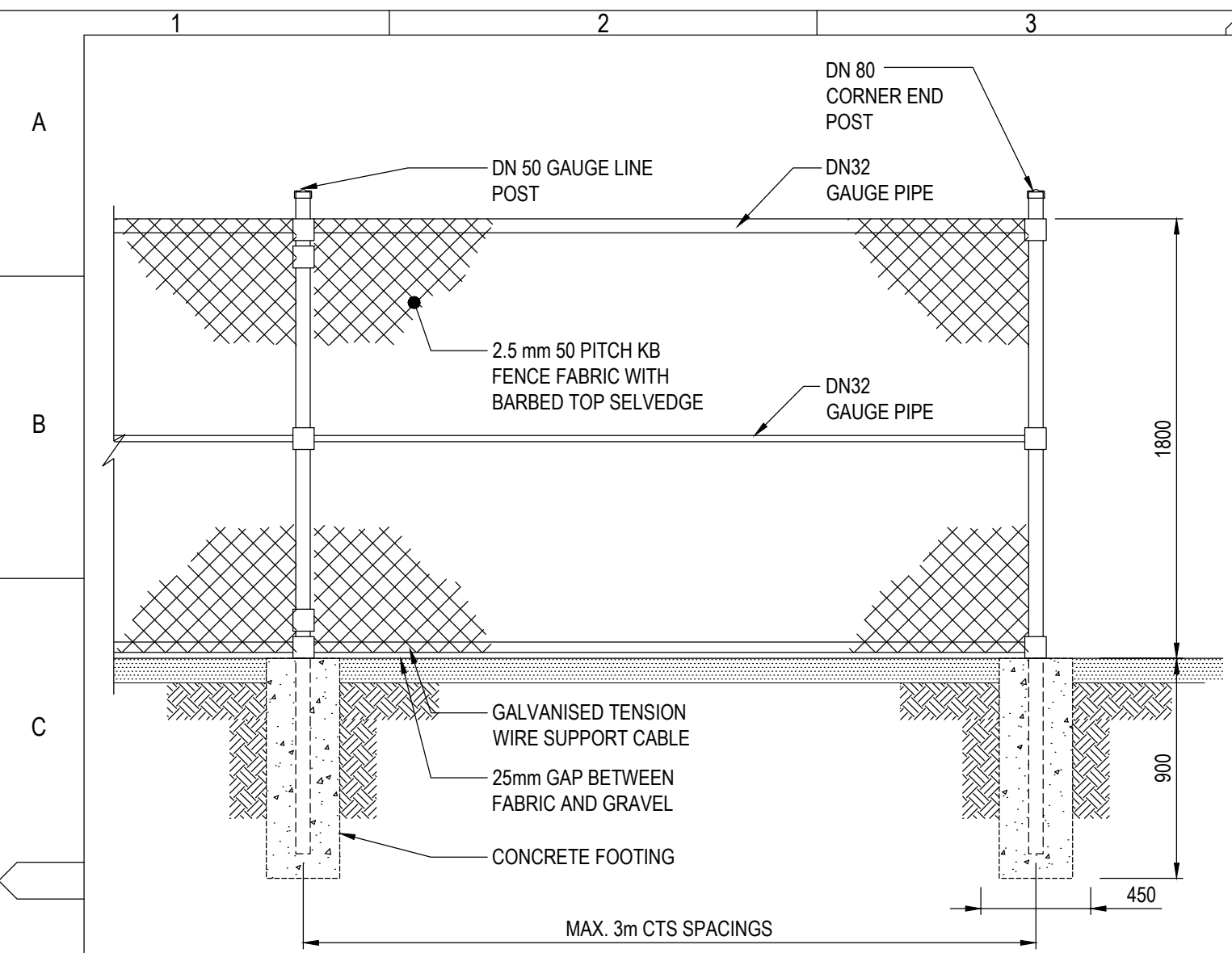
ORDER	DRAWN	CHKD	AMENDMENT	EXAM	APPD	DATE	ISS
	SC	HD	EXCHANGE SATELLITE INSTALLATION	HD	HD	17/08/21	0.1

FOR CONSTRUCTION

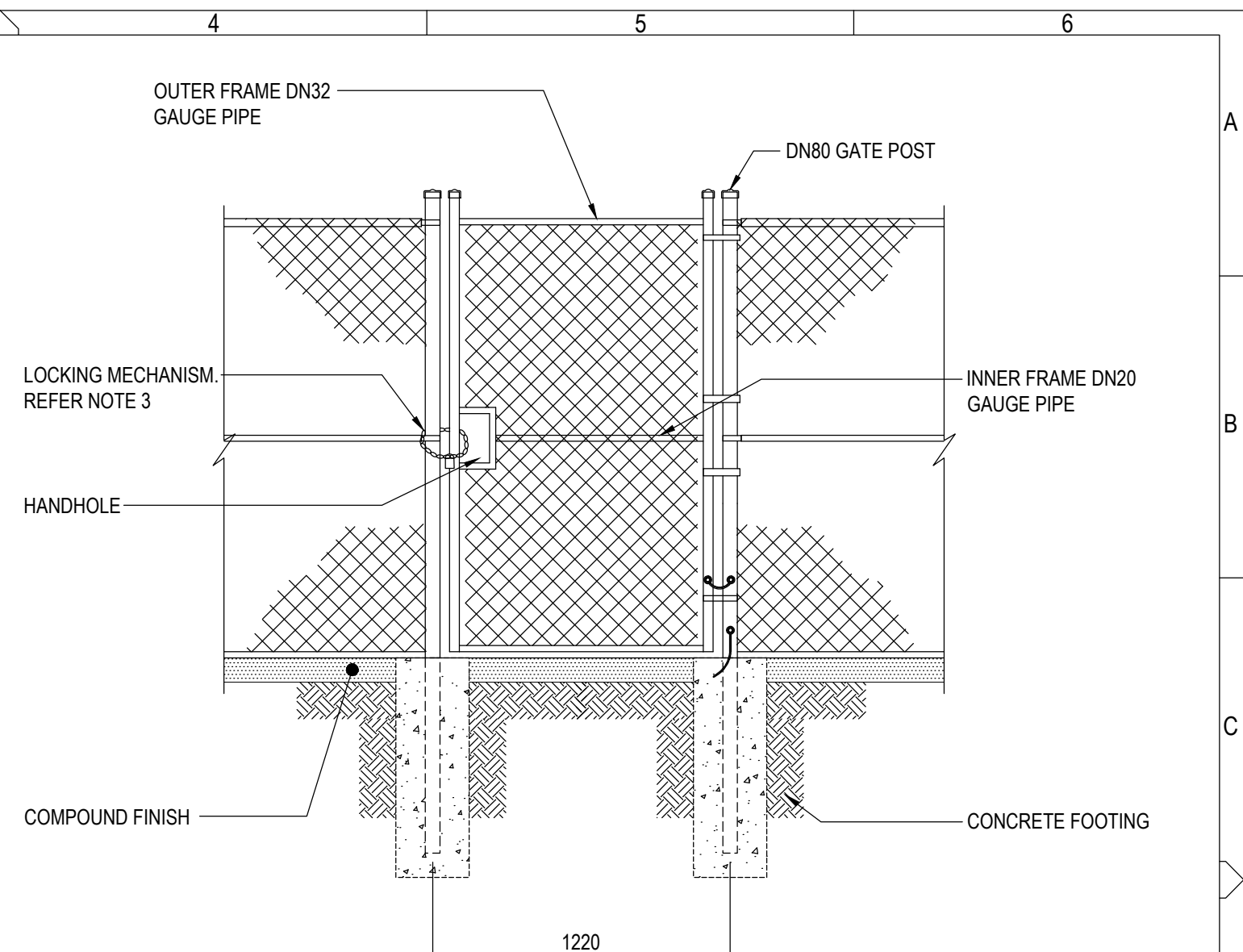
Telstra

SATELLITE ACCESS NODE SITE 124921
KANDOS EXCHANGE
EQUIPMENT PLATFORM - H-FRAME DETAIL
34 ANGUS AVENUE

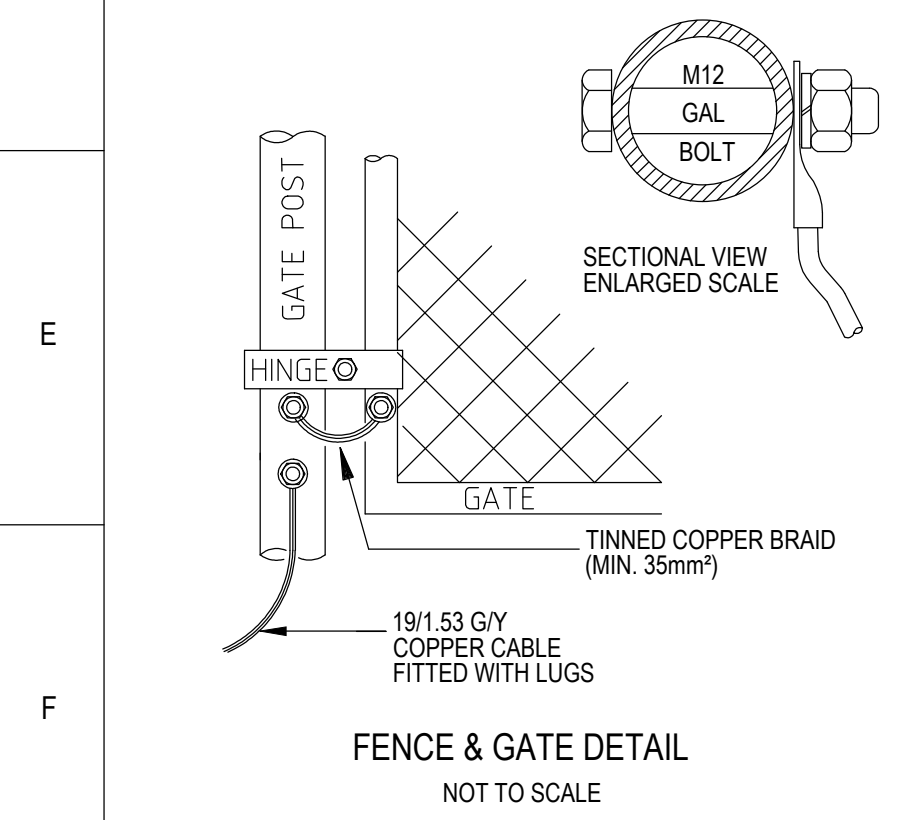
DWG NO. **N743701** SHT NO. T2-1



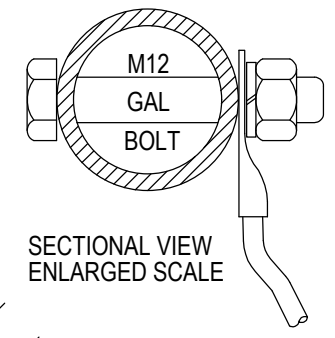
TYPICAL FENCE DETAILS
SCALE 1:25



GATE DETAILS
SCALE 1:25



FENCE & GATE DETAIL
NOT TO SCALE



SECTIONAL VIEW
ENLARGED SCALE

COMPLIANCE BOX
COMPLETED AS PER DESIGN
ALTERATIONS IN RED
NAME (PRINT) _____
SIGNATURE _____ DATE _____

NOTES:

1. POSTS TO BE SPACED 3m CTS MAX. SET IN CONCRETE HAVING A MIN. COMPRESSION STRENGTH OF 20 MPa @ 28 DAYS. CROWN TO SHED WATER. FOOTING SIZE TO BE Ø300mm x 900mm DEEP MIN. OR AS REQUIRED BY LOCAL CODE AND DESIGN CONSIDERATIONS.
2. ALL MATERIALS TO BE GALVANISED AND COMPLY WITH CLASS 1 SECURITY QUALITY OF AS1725.1.
3. GATE SHALL HAVE LATCH FORK WITH LOCKING MECHANISM (PADLOCK ACCEPTED).

FOR CONSTRUCTION

ORDER	DRAWN	CHKD	AMENDMENT	EXAM	APPD	DATE	ISS
	SC	HD	EXCHANGE SATELLITE INSTALLATION	HD	HD	17/08/21	0.1

Telstra
SATELLITE ACCESS NODE SITE 124921
KANDOS EXCHANGE
COMPOUND FENCE AND GATE DETAILS
34 ANGUS AVENUE
DWG NO. **N743701** SHT NO. T8