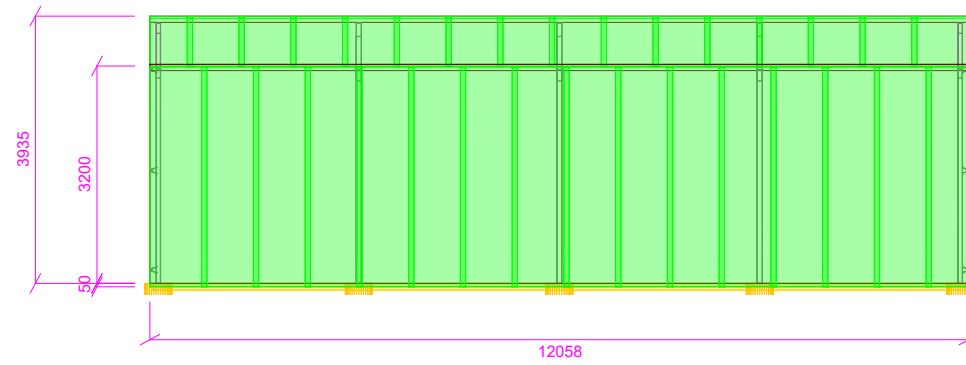
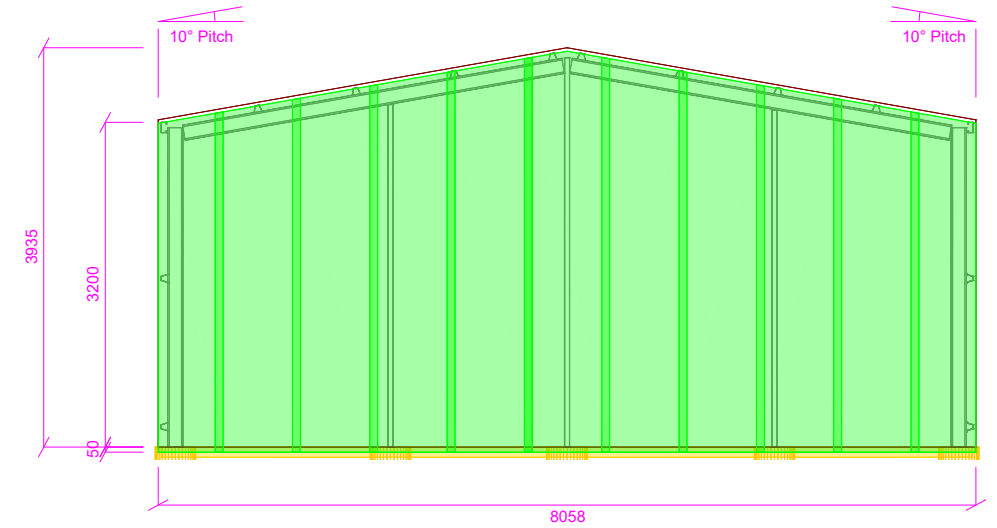


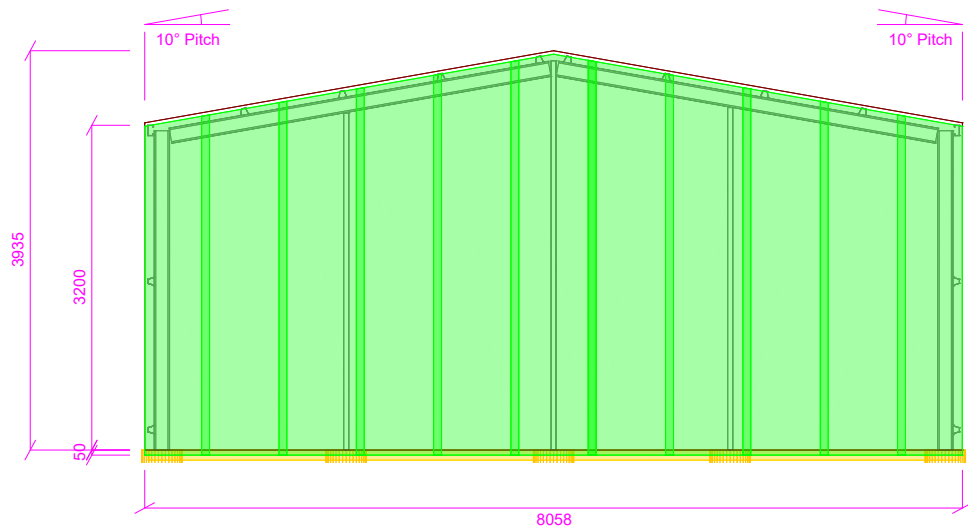
FRONT VIEW



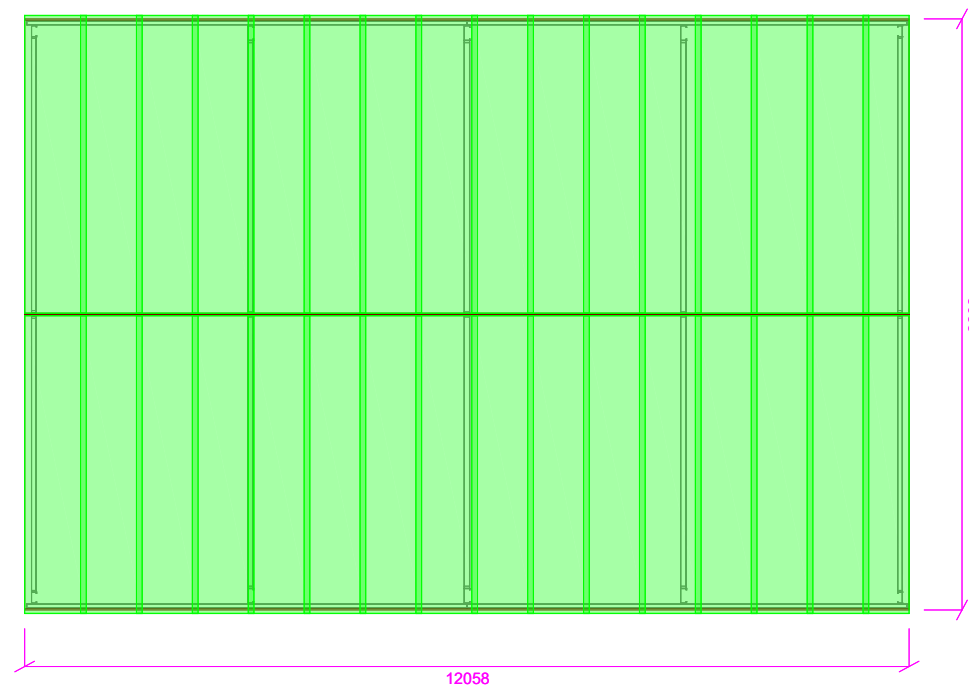
BACK VIEW



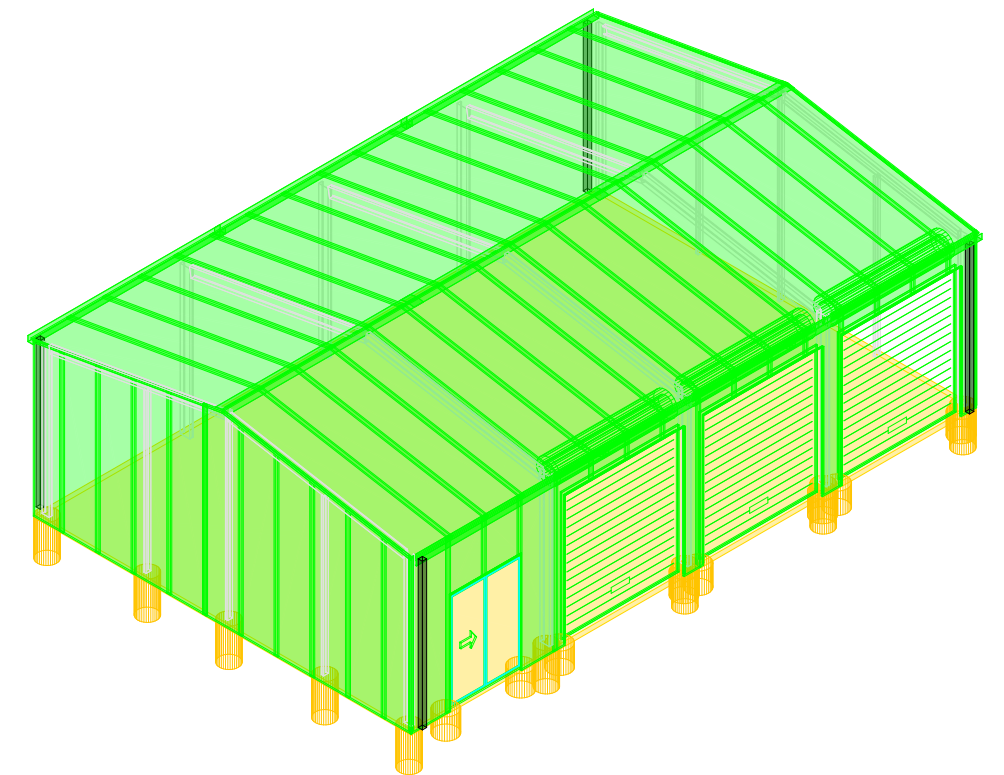
LEFT VIEW



RIGHT VIEW



PLAN VIEW



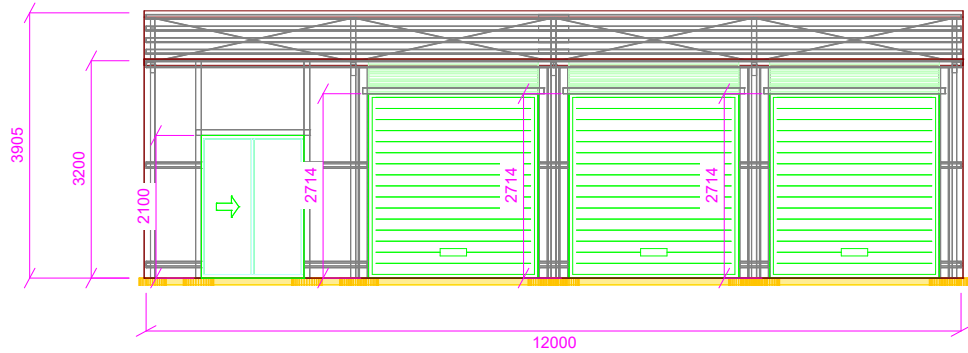
ISO FRONT LEFT VIEW

**Elevation Multiview**

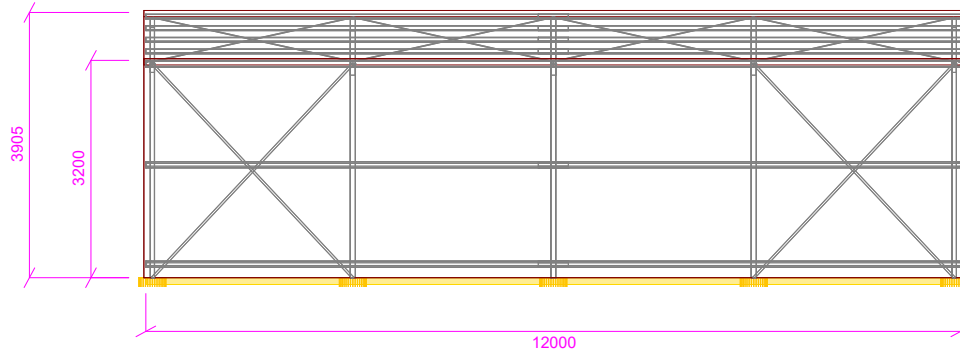


Signed:

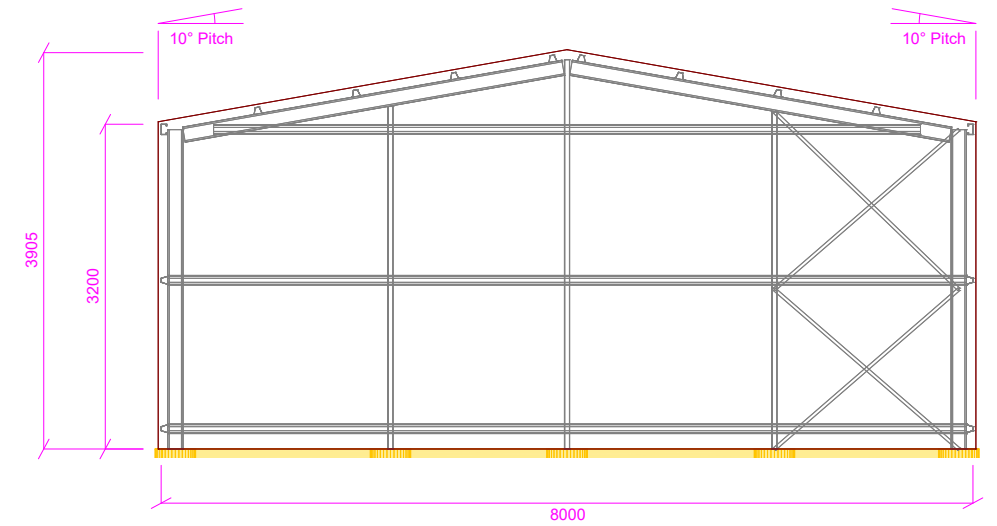
Drawing Number: 1 of 6  
 Project No: AMS06\_258770  
 Revision: 1 - 26 Jul 2021  
 107 Adams Road  
 Gulgong, NSW 2852  
 Scale: N/A



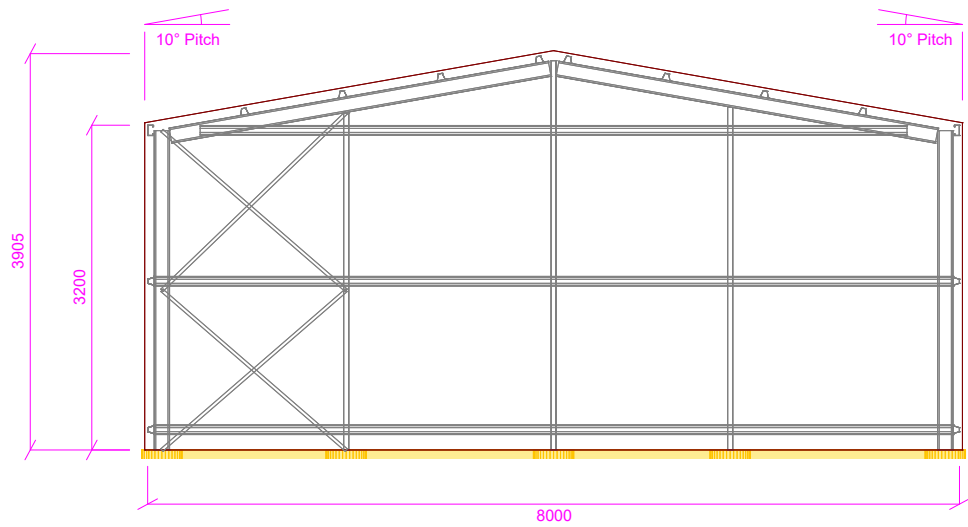
FRONT VIEW



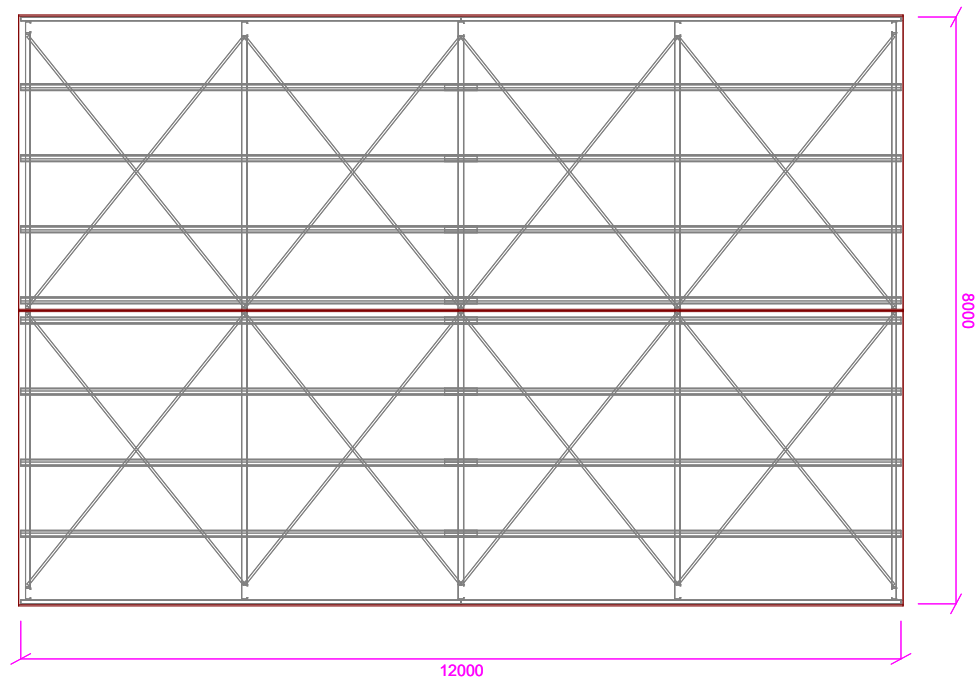
BACK VIEW



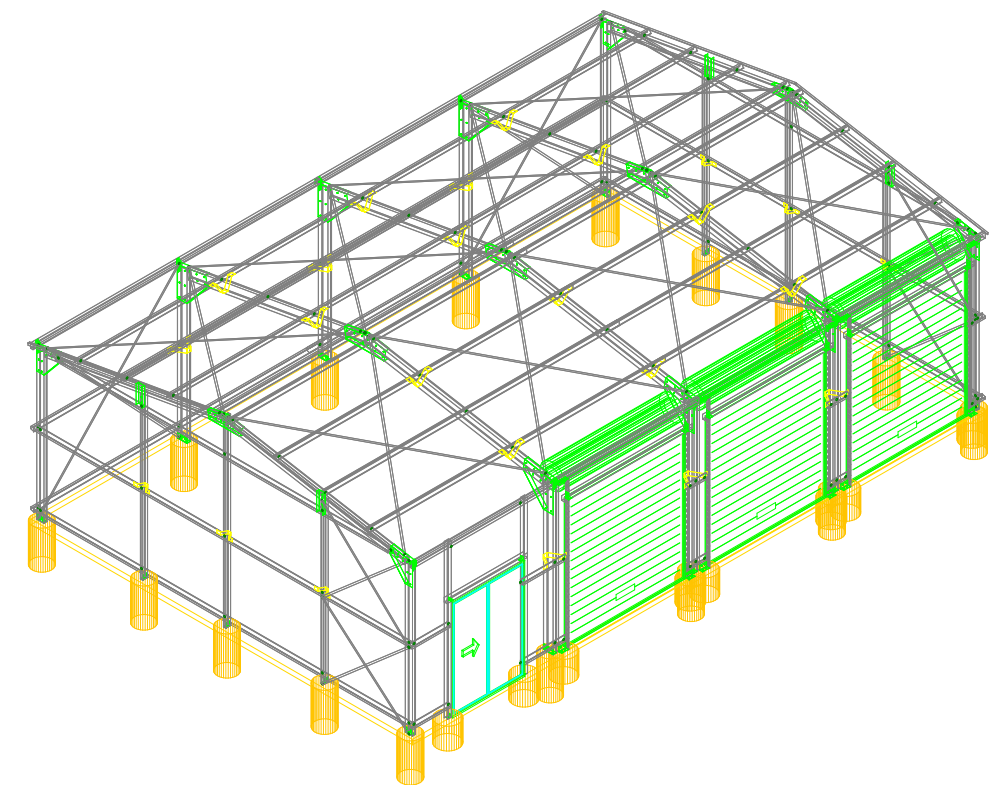
LEFT VIEW



RIGHT VIEW



PLAN VIEW



ISO FRONT LEFT VIEW

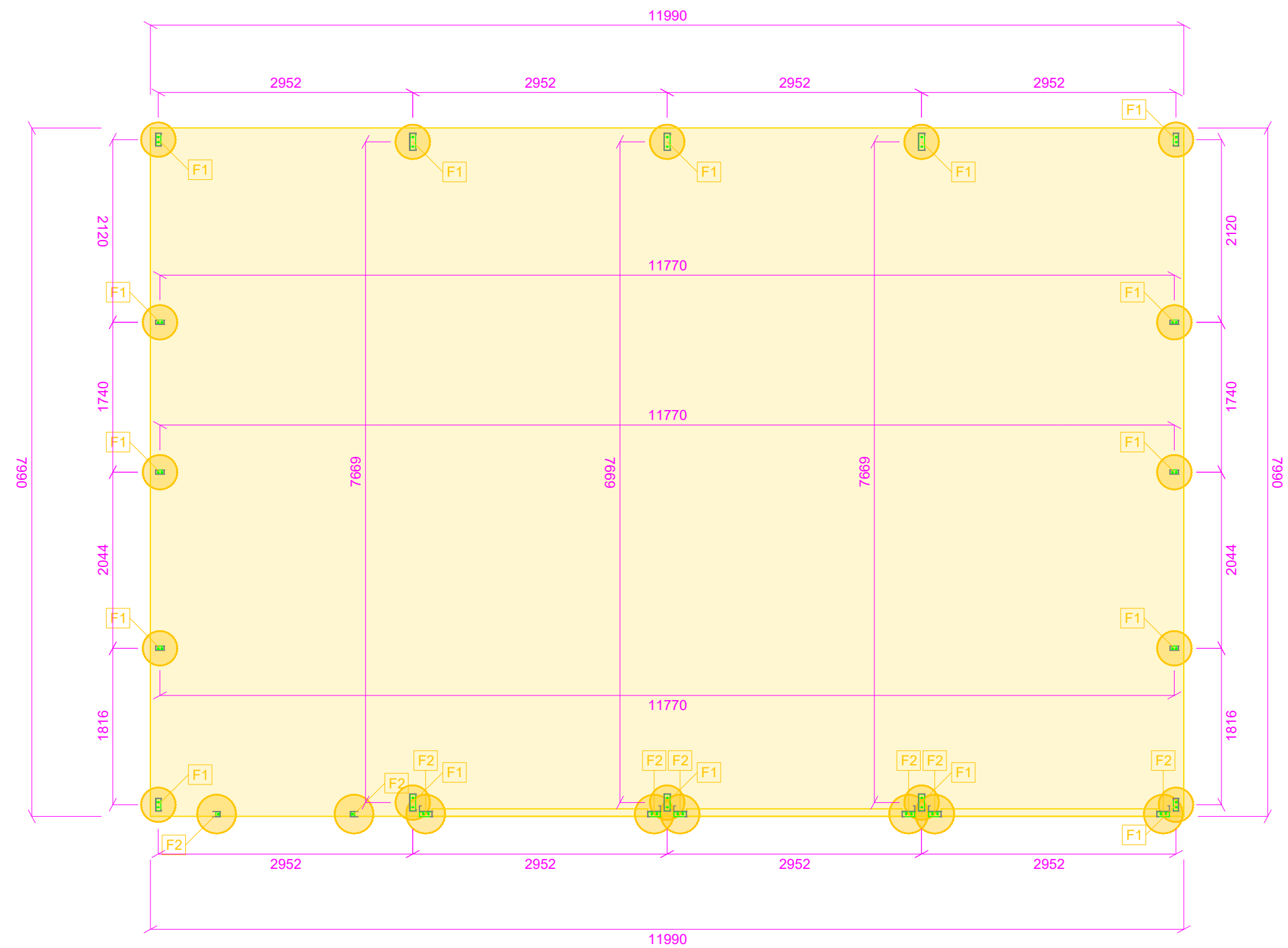
## Assembly Multiview



Signed:

Drawing Number: 2 of 6  
 Project No: AMS06\_258770  
 Revision: 1 - 26 Jul 2021  
 107 Adams Road  
 Gulgong, NSW 2852  
 Scale: N/A

NOTE: Construction drawings must be used in conjunction with the Shed Plus Installation Manual.



ALL MEMBER DIMENSIONS FROM  
> MEMBER CENTRE <

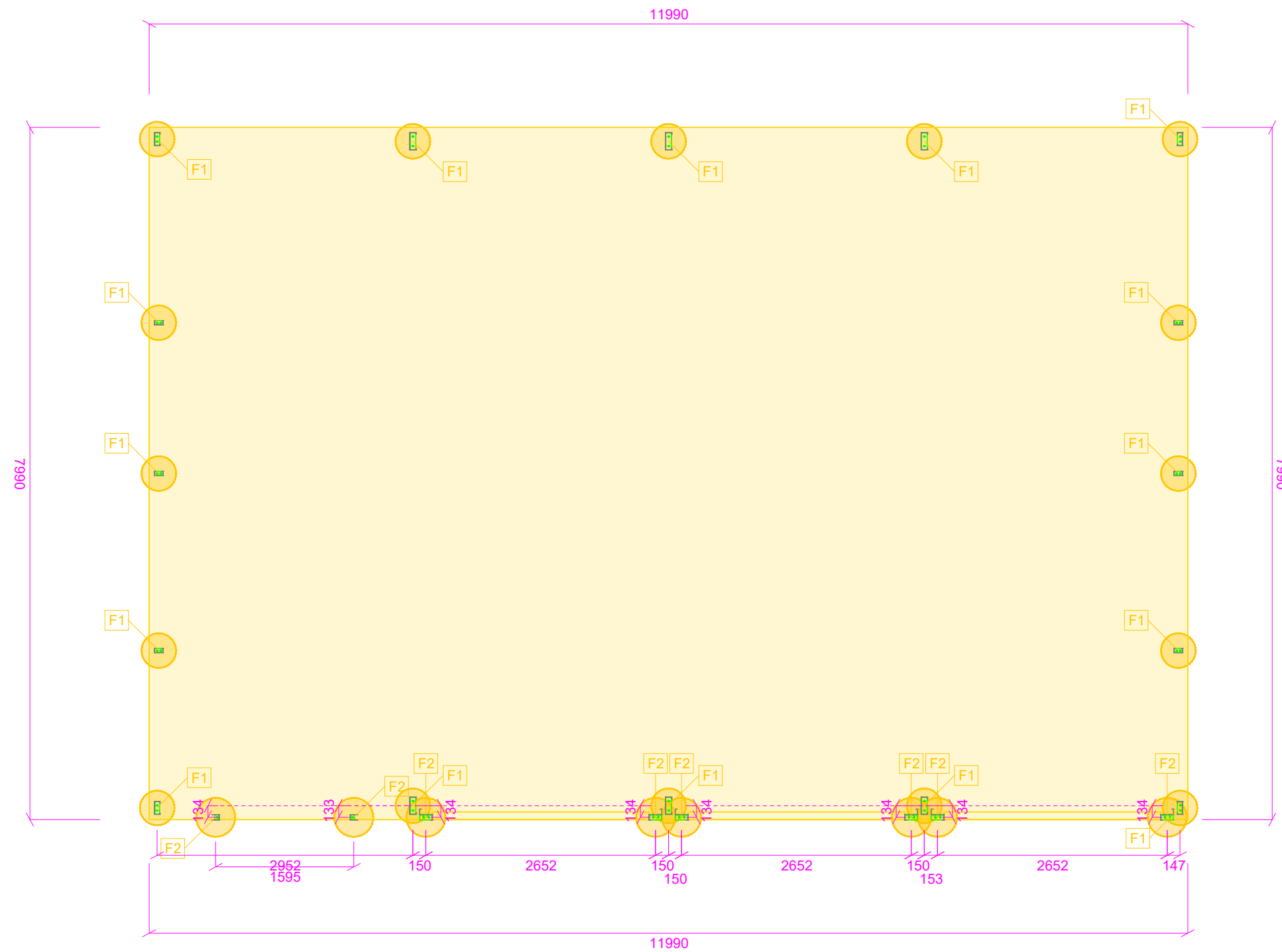
### Foundation Columns Plan View



Signed:

Drawing Number: 3 of 6
Project No: AMS06_258770
Revision: 1 - 26 Jul 2021
107 Adams Road
Gulgong, NSW 2852
Scale: 1 : 64 @ A3

NOTE: Construction drawings must be used in conjunction with the Shed Plus Installation Manual.



ALL MEMBER DIMENSIONS FROM  
> MEMBER CENTRE <

### Foundation Mullions Plan View

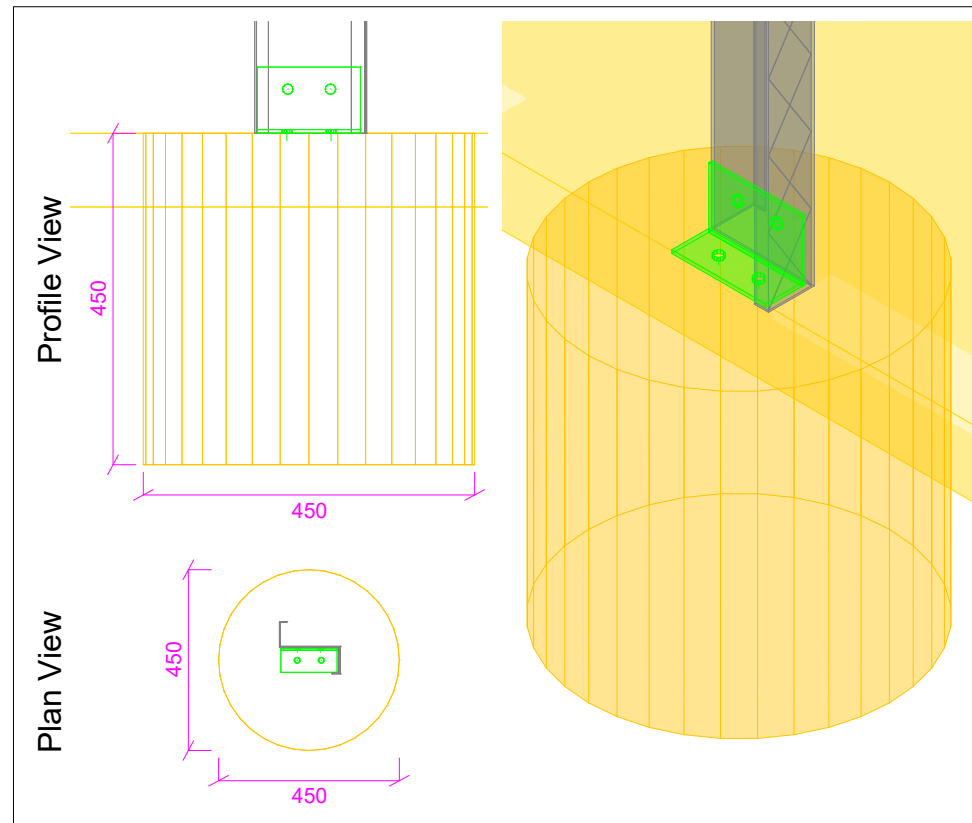


Signed:

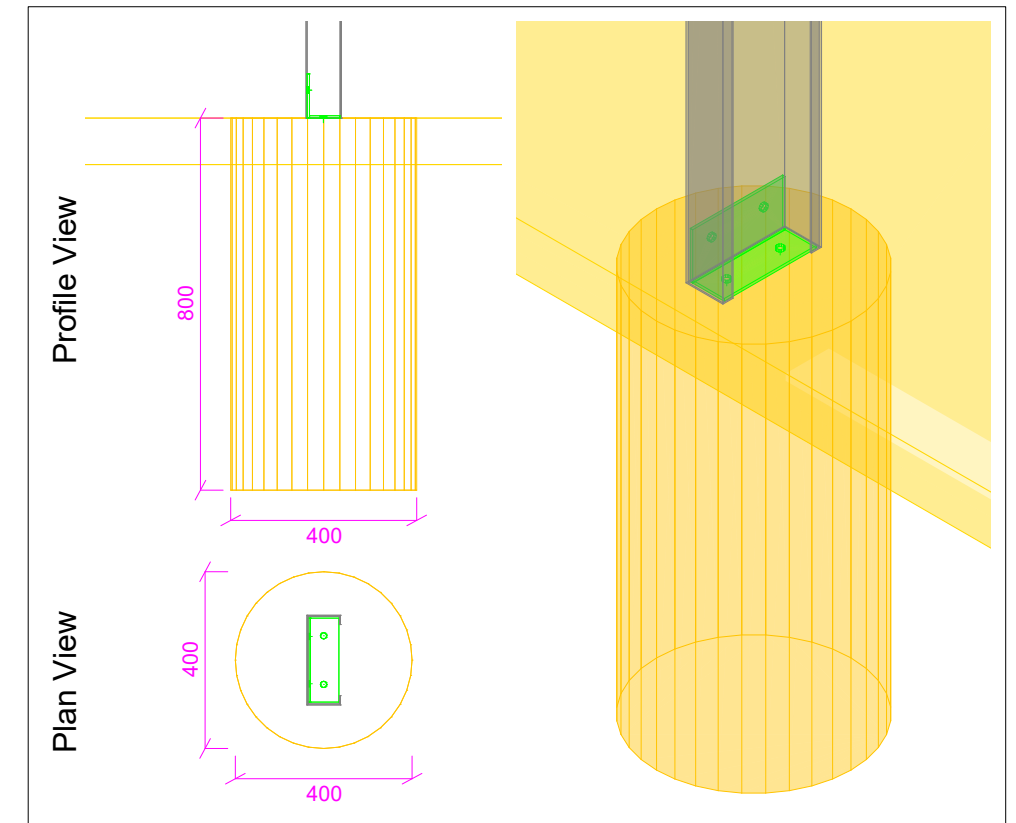
Drawing Number: 4 of 6  
 Project No: AMS06\_258770  
 Revision: 1 - 26 Jul 2021  
 107 Adams Road  
 Gulgong, NSW 2852  
 Scale: 1 : 64 @ A3

**FOOTING NOTES**

1. Footing depths shown on the following details are the minimum required for structural loads.
2. Where a shed's footings are required to comply with AS 2870 - Residential slabs & footings, the minimum footing depth (mm) shall be increased according to the site classification:  
 Class A & S: 400  
 Class M: 500  
 Class M-D: 800  
 Class H1: 1000  
 Other Classes shall be determined by a geotechnical report.
3. Construction drawings must be used in conjunction with the Shed Plus Installation Manual.



Footing: F2 (x8)



Footing: F1 (x16)

**Footing Index Drawings**



Signed:

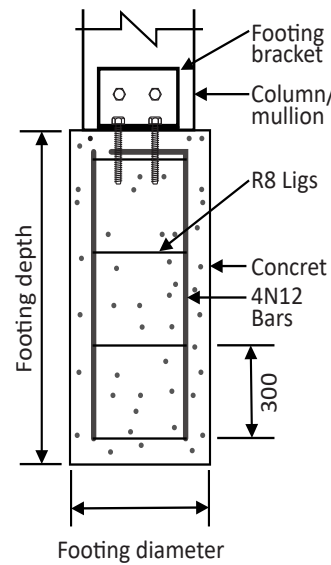
Drawing Number: 5 of 6
Project No: AMS06_258770
Revision: 1 - 26 Jul 2021
107 Adams Road
Gulgong, NSW 2852
Scale: N/A



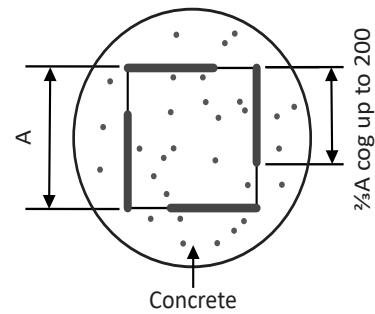
# TYPICAL FOOTING CONSTRUCTION NOTES AND DETAILS

## Bored Footing

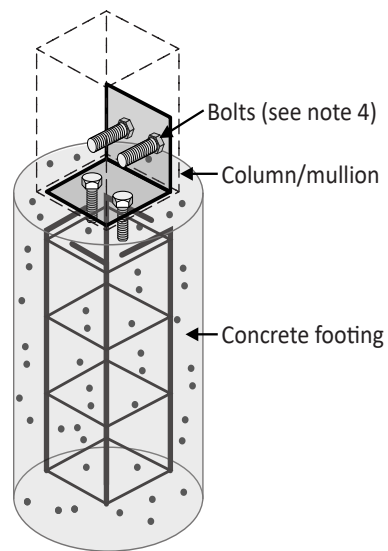
Side View



Plan View

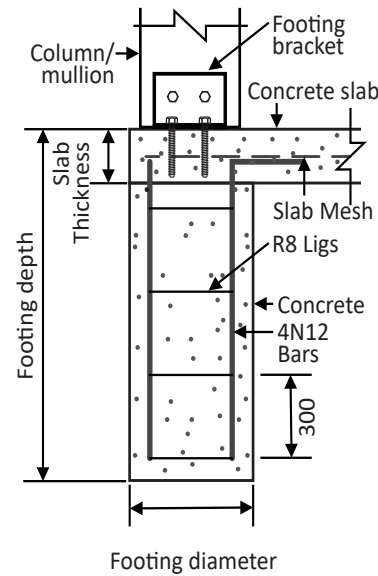


ISO View

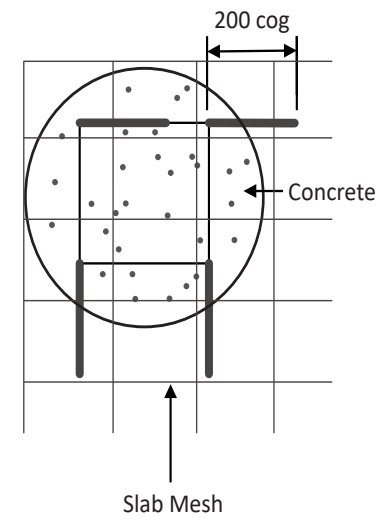


## Bored Footing with Slab

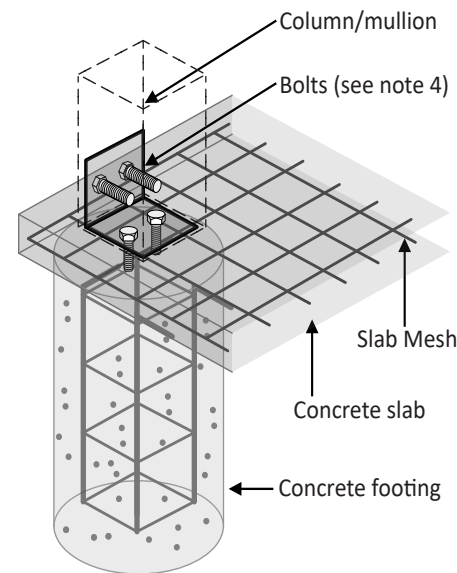
Side View



Plan View

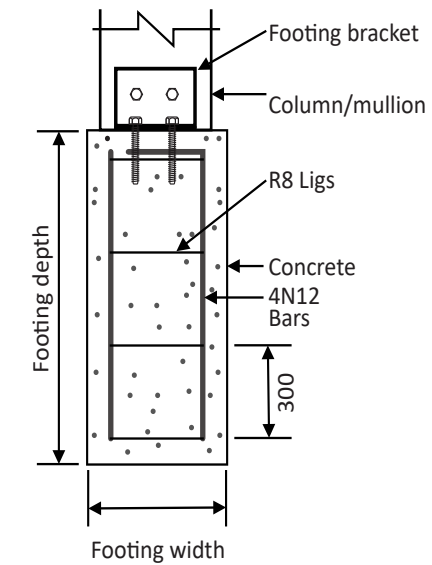


ISO View

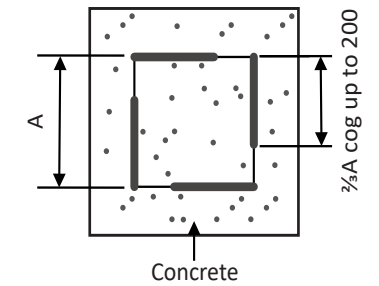


## Square Footing

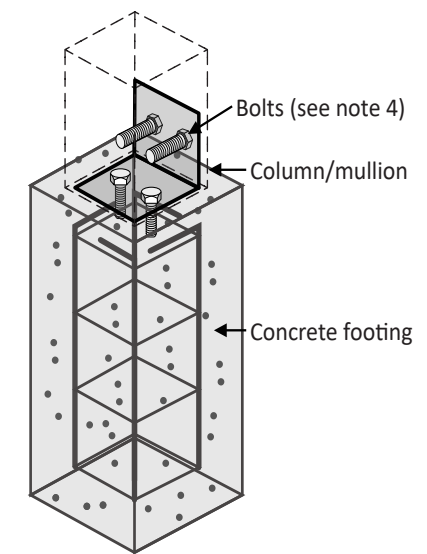
Side View



Plan View



ISO View



### Notes

1. Longitudinal reinforcement shall be 4N12 with cogs at top. R8 ligs at 300 cts. 100 minimum cover.
2. For footing bracket, refer to connection drawing for column fixing detail and connection configuration.
3. All concrete work to be carried out in accordance with AS3600 & AS2870.
4. Anchor quantity is for indicative purpose only.
5. All reinforcements shall conform with AS4671-2001.
6. Care should be taken to ensure that bolts are anchored below without shifting any reinforcement fabric or bars.

7. The typical footing construction notes and details must be read in conjunction with the footing notes. The footings and slab must be constructed with concrete edge beams, internal beams or edge thickening as required.
8. The details are not applicable for sheds supported by raft slab only (i.e. slab with integrated beams).
9. Min. concrete grade for Bored and Square Footing shall be N25. Min. concrete grade for slab shall be N20, refer relevant slab notes and details for more information.
10. Footing shall be founded in natural undisturbed soil with min. 100kpa allowable bearing capacity.

## Footing Index Drawings



Signed:

Drawing Number: 6 of 6  
 Project No: AMS06\_258770  
 Revision: 1 - 26 Jul 2021  
 107 Adams Road  
 Gulgong, NSW 2852  
 Scale: N/A